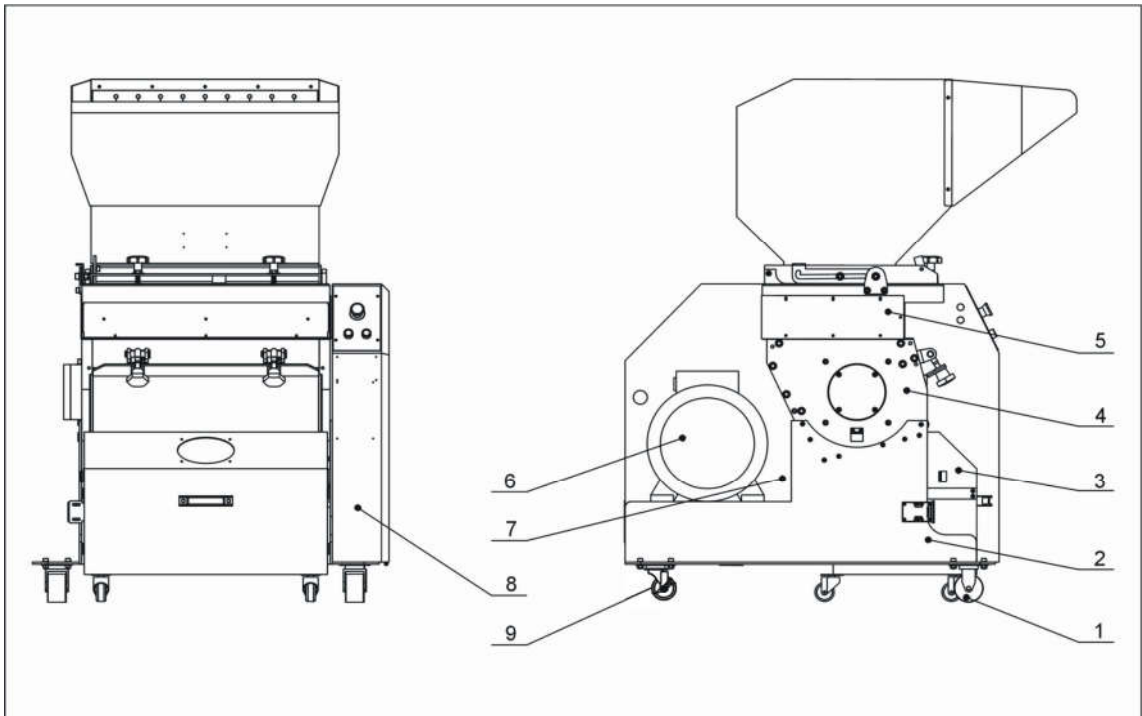


## 1. Assembly Drawing (SG-23E)



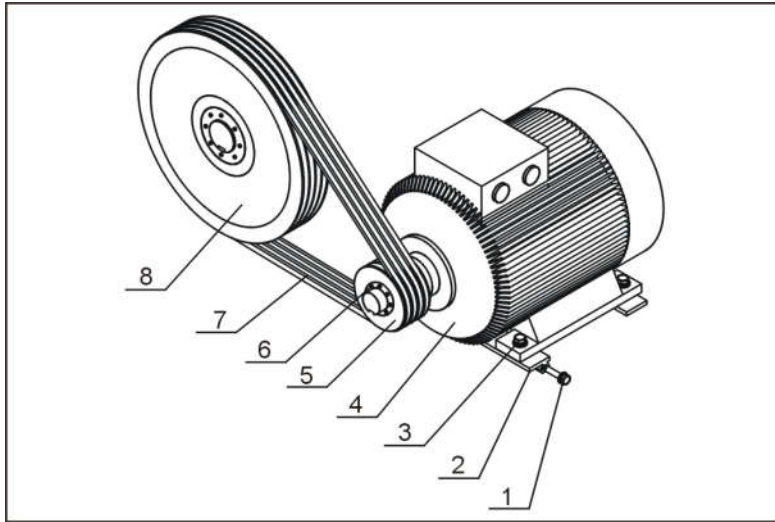
Note: Please refer to material list 2 about the parts code.

## 2. Parts List (SG-23E)

No.	Name	SG-2324E		SG-2336E		SG-2348E	
		Part No.	Quantity	Part No.	Quantity	Part No.	Quantity
1	Fixed castor 3"	YW03000300500	2	YW03000300500	2	YW03000300500	2
2	Rack assembly	-	1	-	1	-	1
3	Storage box assembly	-	1	-	1	-	1
4	Cutting chamber assembly	Rack assembly	1	BH85433600010	1	BH85234800610	1
5	Feeding box assembly	-	1	-	1	-	1
6	Main driving device	-	1	-	1	-	1
7	Support plate	-	1	-	1	-	1
8	Cover parts	-	1	-	1	-	1
9	Side brake of Movable castor 3"	YW03000300900	2	YW03000300900	2	YW03000300900	2

Please confirm the version of manual before placing the purchase order to guarantee that the item number of the spare part is in accordance with the real object.

### 3. Main Driving Device (SG-23E)



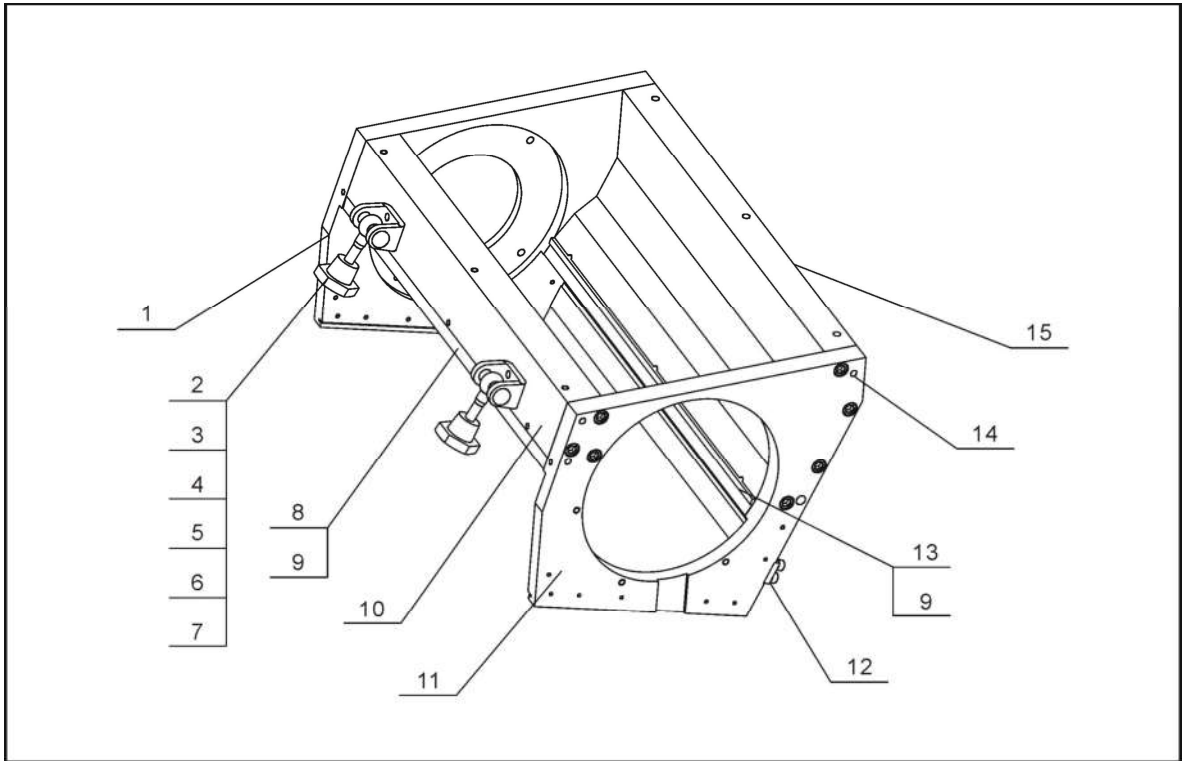
Note: Please refer to material list 4 about the parts code.

### 4. Parts List of Main Driving Device (SG-23E)

No.	Name	SG-2324E		SG-2336E		SG-2348E	
		Part No.	Quantity	Part No.	Quantity	Part No.	Quantity
1	Hexagonal head bolt M10×80	YW60108000000	2	YW60108000000	2	YW60108000000	2
2	Motor adjusting plate	BH10236100010	2	BH10236100010	2	BH10306500110	2
3	Hexagonal head bolt	YW60104000100	4	YW60104000100	4	YW60124500000	4
4	Motor	YM10135500000	1	YM10137500000	1	YM10716300300	1
5	Motor belt pulley	BW30002305320	1	BW30002305320	1	BW30002305320	1
6	Taper sleeve of belt pulley	BW30003005320	1	BW30003005320	1	BW30003005320	1
7	Triangle belt	YR00160000100	4	YR00160000100	4	YR00160000100	4
8	Big wheel	BW30002305220	1	BW30002305220	1	BW30002305220	1
9	Big wheel sleeve	BW30023005320	1	BW30023005320	1	BW30023005320	1

Please confirm the version of manual before placing the purchase order to guarantee that the item number of the spare part is in accordance with the real object.

## 5. Cutting Chamber Assembly One(SG-23E)



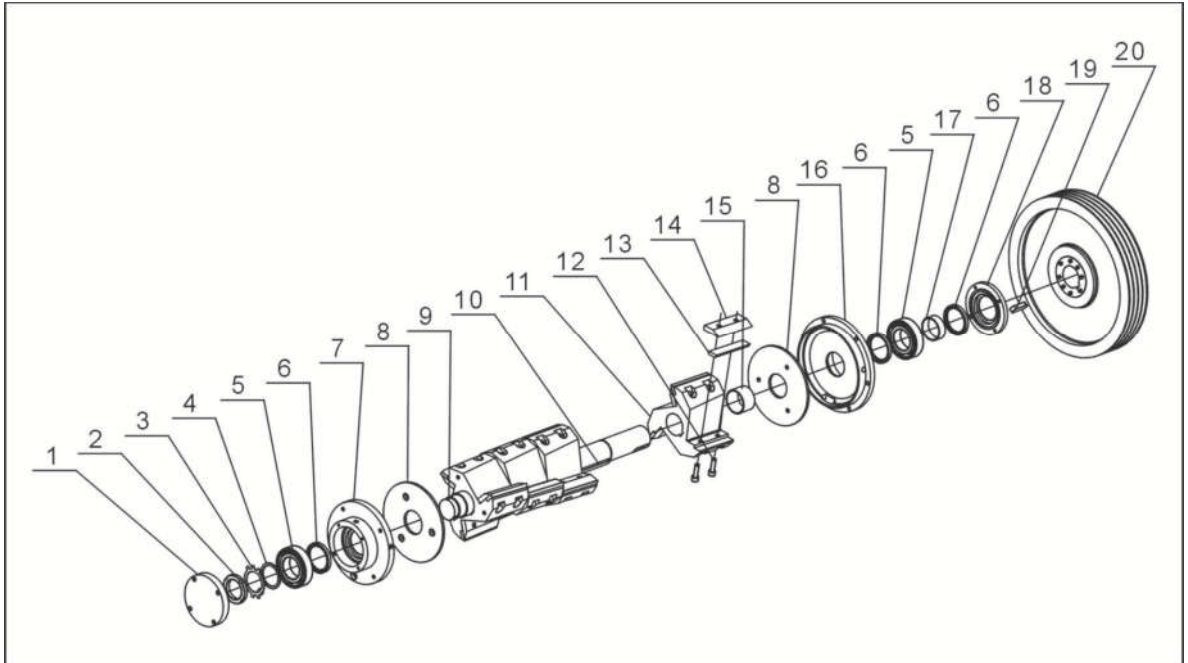
Note: Please refer to material list 6 about the parts code.

## 6. Parts List of Cutting Chamber Assembly One(SG-23E)

No.	Name	SG-2324E		SG-2336E		SG-2348E	
		Part No.	Quantity	Part No.	Quantity	Part No.	Quantity
1	Left side plate	BH10232500010	1	BH10232500010	1	BH10232500010	1
2	Hinge base	-	1	-	2	-	2
3	Hinge pin	YW09301400000	1	YW09301400000	2	YW09301400000	2
4	A type elastic ring for axis use 16	YW69001600000	1	YW69001600000	2	YW69001600000	2
5	Star knob	YW09003010500	1	YW09003010500	2	YW09003010500	2
6	Flat gasket	YW66123200100	1	YW66123200100	2	YW66123200100	2
7	Hexagon nut (M12)	YW09001200500	1	YW09001200500	2	YW09001200500	2
8	Front pressing block	BW30232400110	1	BW30233600110	1	BW30234800110	1
9	Fixed blades	BW40232400040	1	YW42233600100	2	YW42234800100	2
10	Front block	-	1	BW30233600010	1	BW30234800010	1
11	Right side plate	BH10231100010	1	BH10231100010	1	BH10231100010	1
12	Plate for hanging screen bracket	-	1	-	1	-	1
13	Rear pressing block	BW30232400410	1	BW30233600410	1	BW30234800410	1
14	Spring pin 8x35	YW69083500000	8	YW69083500000	8	YW69083500000	8
15	Rear block	-	1	BH102336500010	1	BH10230800010	1

Please confirm the version of manual before placing the purchase order to guarantee that the item number of the spare part is in accordance with the real object.

## 7. Cutting Chamber Assembly Two (SG-23E)



Note: Please refer to material list 8 about the parts code.

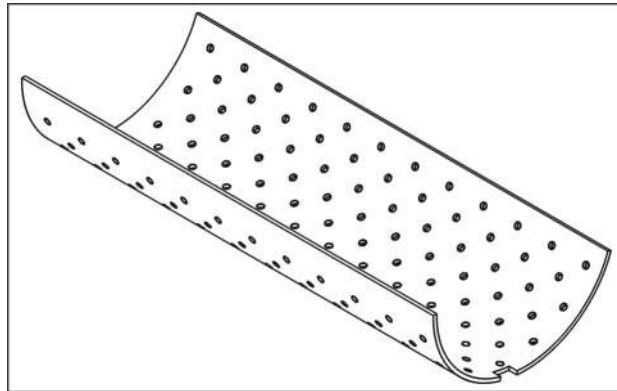
## 8. Parts List of Cutting Chamber Assembly Two (SG-23E)

No.	Name	SG-2324E		SG-2336E		SG-2348E	
		Part No.	Quantity	Part No.	Quantity	Part No.	Quantity
1	Left bearing block cover plate	BH10232700010	1	BH10232700010	1	BH10232700010	1
2	Small round nut M52×1.5	YW65215000000	1	YW65215000000	1	YW65215000000	1
3	Stop washer 52	YW09521600000	1	YW09521600000	1	YW09521600000	1
4	Bearing washer	-	1	-	1	-	1
5	Self-aligning roller bearing 22211C	YW11222100600	2	YW11222100600	2	YW11222100600	2
6	Oil seal 75×60×8	YR80756000000	3	YR80756000000	3	YR80756000000	3
7	Left bearing block	BH10232600010	1	BH10232600010	1	BH10232600010	1
8	Material baffle plate	YW45230000000	2	YW45230000000	2	YW45230000000	2
9	Shaft	-	1	BH10236600010	1	BH11236200010	1
10	Flat key 16×10×L	BH10232410010	1	BH10233610010	1	BH10234810010	1
11	Blade rest	-	2	-	3	-	4
12	Inner hexagon column screw M10×40	YW61104000200	12	YW61104000200	18	YW61104000200	24
13	Rotary blades	YW42023001000	6	YW42023001000	9	YW42023001000	12
14	Pressing plate for rotary blades	BH10125000010	6	BH10125000010	9	BH10125000010	12
15	Shaft sleeve 1	BH10231900010	1	BH10231900010	1	BH10231900010	1

16	Right bearing block	BH10231200010	1	BH10231200010	1	BH10231200010	1
17	Shaft sleeve 2	BH10231400010	1	BH10231400010	1	BH10231400010	1
18	Right bearing block cover plate	BH10232300010	1	BH10232300010	1	BH10232300010	1
19	Flat key 16×10×50	BH10231500010	1	BH10231500010	1	BH10231500010	1
20	Big whee	BW30002305220	1	BW30002305220	1	BW30002305220	1
21	Big wheel sleeve	BW30023005320	1	BW30023005320	1	BW30023005320	1

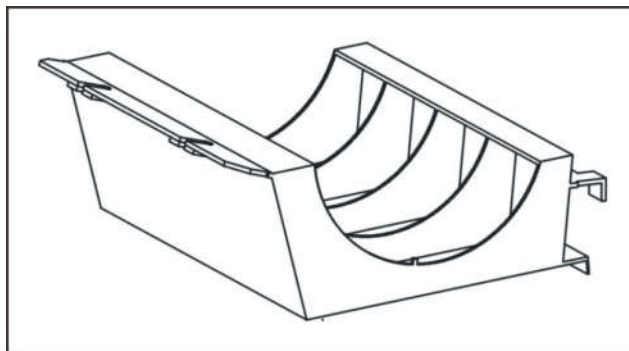
Please confirm the version of manual before placing the purchase order to guarantee that the item number of the spare part is in accordance with the real object.

## 9. Screen (SG-23E)



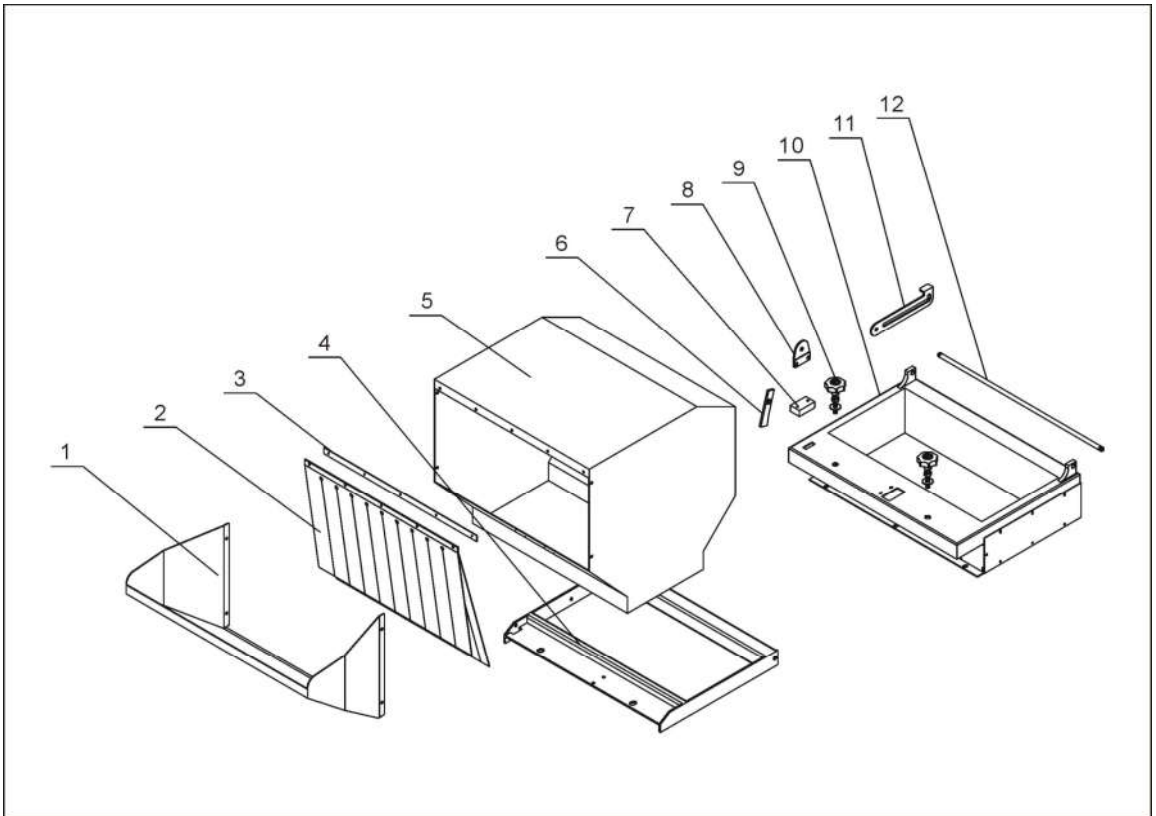
No.	Name	SG-2324E		SG-2336E		SG-2348E	
		Part No.	Quantity	Part No.	Quantity	Part No.	Quantity
1	Screen 8mm	BL54232400820	1	BL54233600820	1	BL54234800820	1

## 10. Screen Bracket Assembly (SG-23E)



No.	Name	SG-2324E		SG-2336E		SG-2348E	
		Part No.	Quantity	Part No.	Quantity	Part No.	Quantity
1	Screen Bracket Assembly	-	1	-	1	-	1

## 11. Parts List of Feeding Box Assembly (SG-23E)



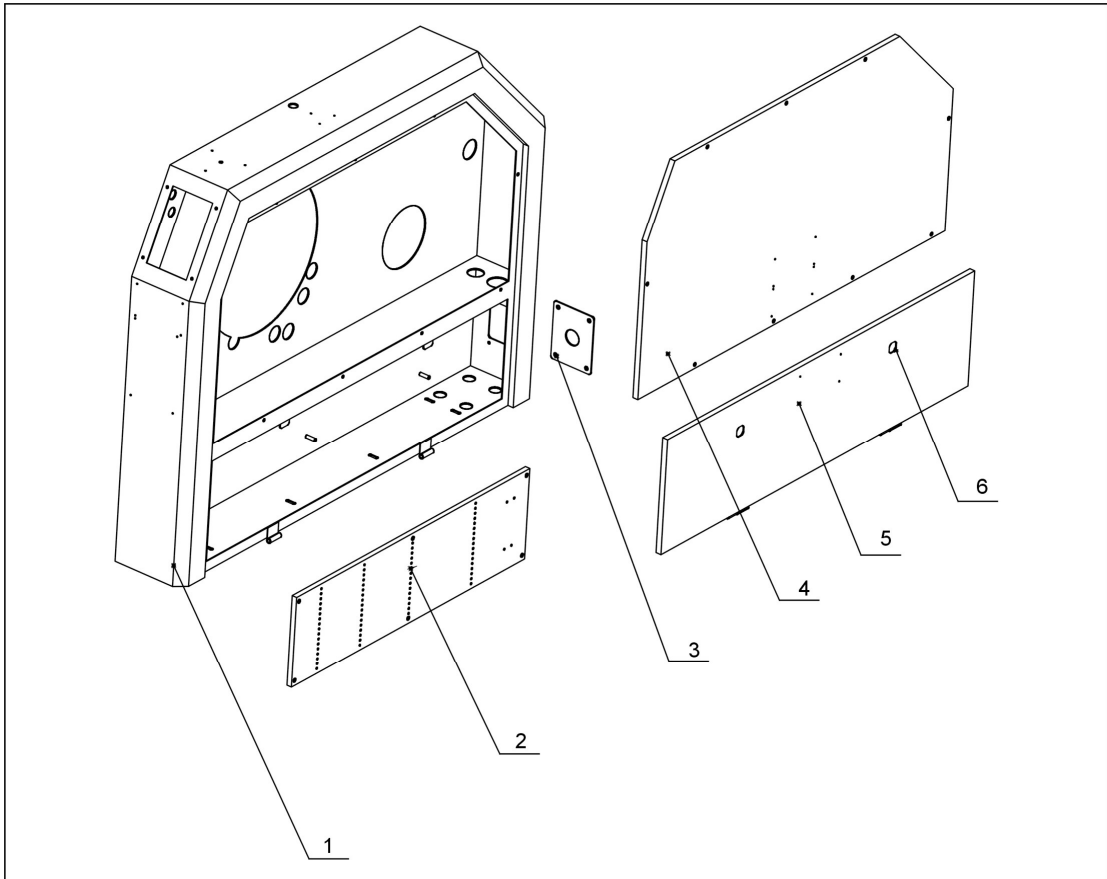
Note: Please refer to material list 12 about the parts code.

## 12. Parts List of Feeding Box Assembly (SG-23E)

No.	Name	SG-2324E		SG-2336E		SG-2348E	
		Part No.	Quantity	Part No.	Quantity	Part No.	Quantity
1	Feeding port	-	1	-	1	-	1
2	Material baffle plate	-	1	-	1	-	1
3	Press plate for material baffle plate	-	1	-	1	-	1
4	Square pipe rack	-	1	-	1	-	1
5	Feeding box	-	1	-	1	-	1
6	Pothook	-	1	-	1	-	1
7	Switch fixing block	-	1	-	1	-	1
8	Mounting base	-	1	-	1	-	1
9	Star knob assembly of feeding box	BH11300200010	1	BH11300200010	2	BH11300200010	2
10	Granulating box	-	1	-	1	-	1
11	Support frame	-	1	-	1	-	1
12	Feeding box shaft	BH10300800040	2	BH10300800040	2	BH10300800040	2

Please confirm the version of manual before placing the purchase order to guarantee that the item number of the spare part is in accordance with the real object.

### 13. Cover Parts (SG-23E)



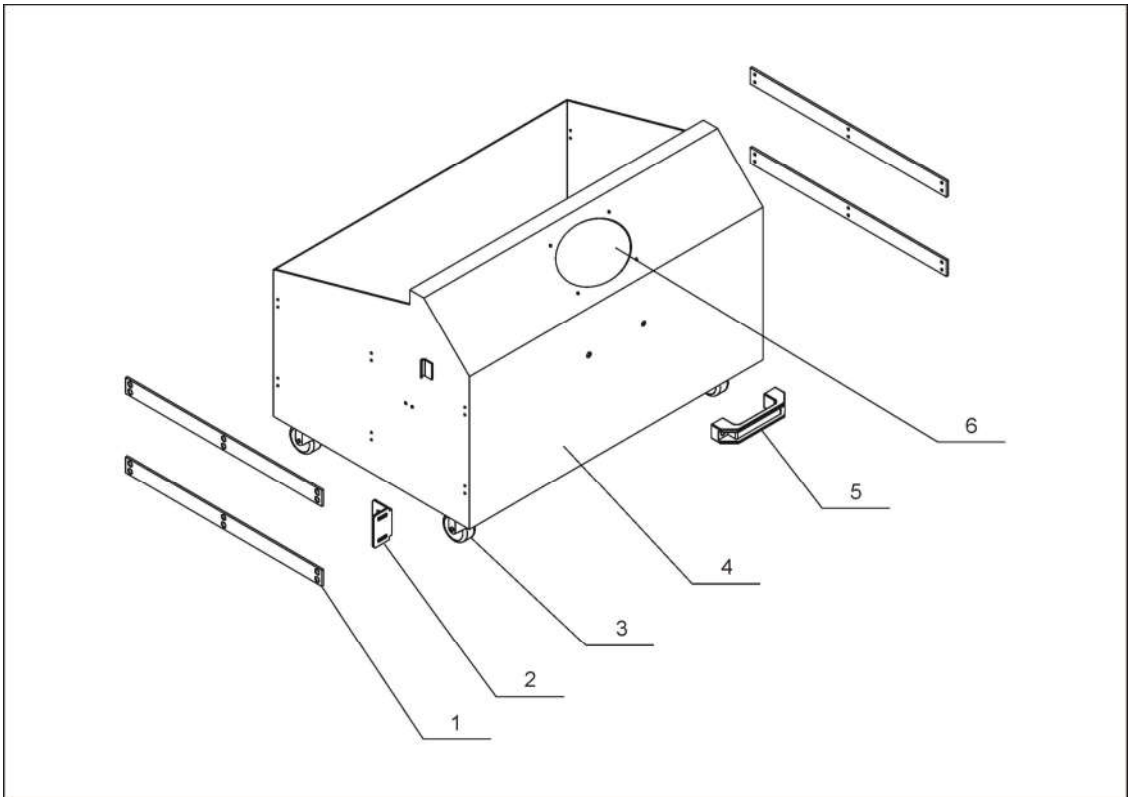
Note: Please refer to material list 14 about the parts code.

### 14. Parts List of Cover Parts (SG-23E)

No.	Name	SG-23E	
		Part No.	Quantity
1	Shell	-	1
2	Wiring board	-	1
3	Clamp fixing plate	BL50210000020	1
4	Upper cover plate of shell	-	1
5	Lower cover plate of shell	-	1
6	Long door lock	YW00000000100	2

Please confirm the version of manual before placing the purchase order to guarantee that the item number of the spare part is in accordance with the real object.

## 15. Storage Box Assembly (SG-23E)



Note: Please refer to material list 16 about the parts code.

## 16. Parts List of Storage Box Assembly (SG-23E)

No.	Name	SG-23E	
		Part No.	Quantity
1	Baffle plate	-	4
2	Fixing plate of safety switch	-	1
3	Rotary castor 2"	YW03000200000	4
4	Storage box	-	1
5	Aluminum square handle	BW20012000140	1
6	Sight glass	-	1

Please confirm the version of manual before placing the purchase order to guarantee that the item number of the spare part is in accordance with the real object.



## 17. Screen (SG-23E)

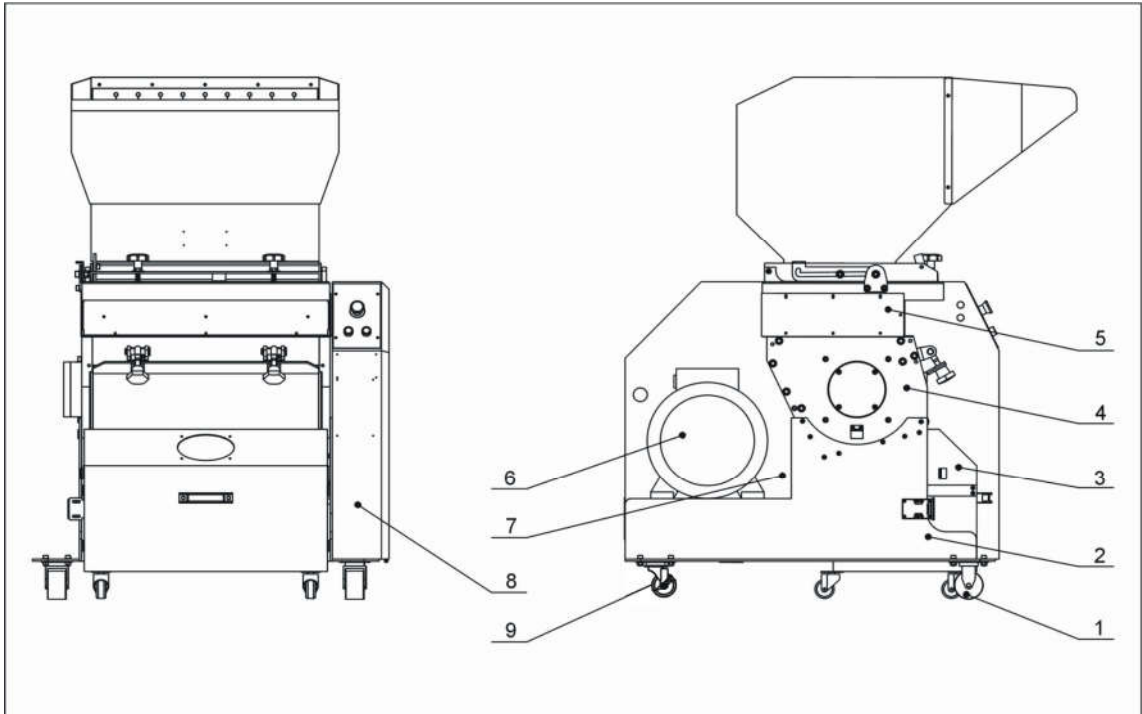


Diameter (mm)	Part No.		
	SG-2324E	SG-2336E	SG-2348E
Φ4	BL54232400420	BL54233600420	BL54234800420
Φ6	BL54232400620	BL54233600620	BL54234800620
Φ10	BL54232401020	BL54233601020	BL54234801020
Φ12	BL54232401220	BL54233601220	BL54234801220

## 18. Blades

Material	International Code		
	China	America	Japan
SKD11	Cr12MoV	D2	SKD11

## 1. Assembly Drawing (SG-30E)



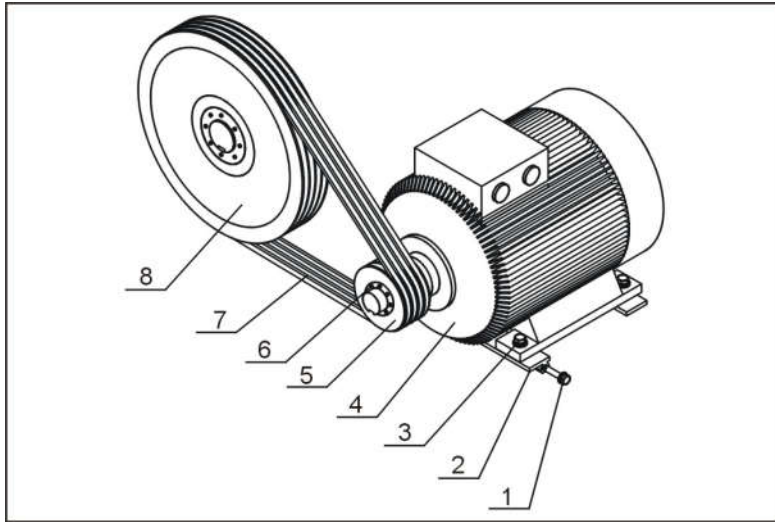
Note: Please refer to material list 2 about the parts code.

## 2. Parts List(SG-30E)

No.	Name	SG-3048E		SG-3060E	
		Part No.	Quantity	Part No.	Quantity
1	Fixed castor 3"	YW03000300500	2	YW03000300500	2
2	Rack assembly	-	1	-	1
3	Storage box assembly	-	1	-	1
4	Cutting chamber assembly	BH85304800810	1	BH85306000610	1
5	Feeding box assembly	-	1	-	1
6	Main driving device	-	1	-	1
7	Support plate	-	1	-	1
8	Cover parts	-	1	-	1
9	Movable castor 3"	YW03000300900	2	YW03000300900	2

Please confirm the version of manual before placing the purchase order to guarantee that the item number of the spare part is in accordance with the real object.

### 3. Main Driving Device (SG-30E)



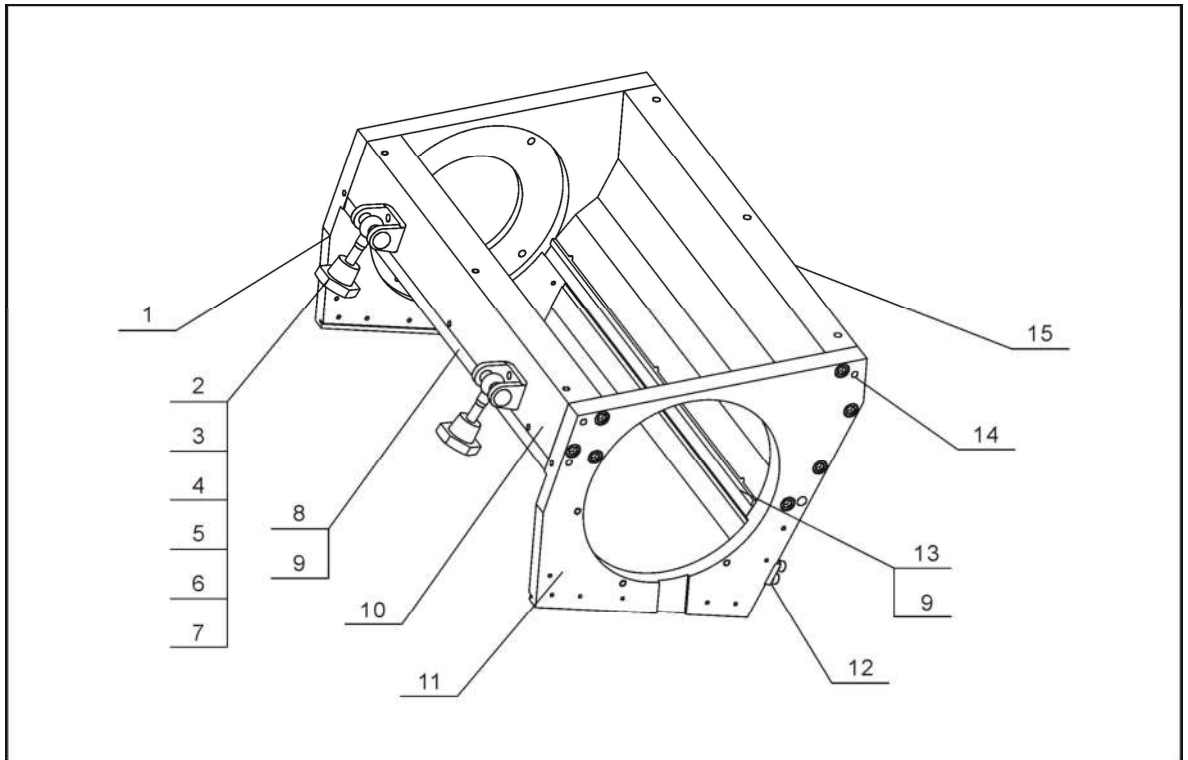
Note: Please refer to material list 4 about the parts code.

### 4. Parts List of Main Driving Device (SG-30E)

No.	Name	SG-3048E		SG-3060E	
		Part No.	Quantity	Part No.	Quantity
1	Hexagonal head bolt M10×80	YW6010800000	2	YW6010800000	2
2	Motor adjusting plate	BH10306500110	2	BH10306500110	2
3	Hexagonal head bolt M12×45	YW60124500000	4	YW60124500000	4
4	Motor	YM10716300300	1	YM10716600300	1
5	Motor belt pulley	BW30002305320	1	BW30002305320	1
6	Taper sleeve of belt pulley	BW30003005320	1	BW30003005320	1
7	Triangle belt	YR00170040000	4	YR00170040000	4
8	Big wheel	BW30002305220	1	BW30002305220	1
9	Big wheel sleeve	BW30003005220	1	BW30003005220	1

Please confirm the version of manual before placing the purchase order to guarantee that the item number of the spare part is in accordance with the real object.

## 5. Cutting Chamber Assembly One(SG-30E)



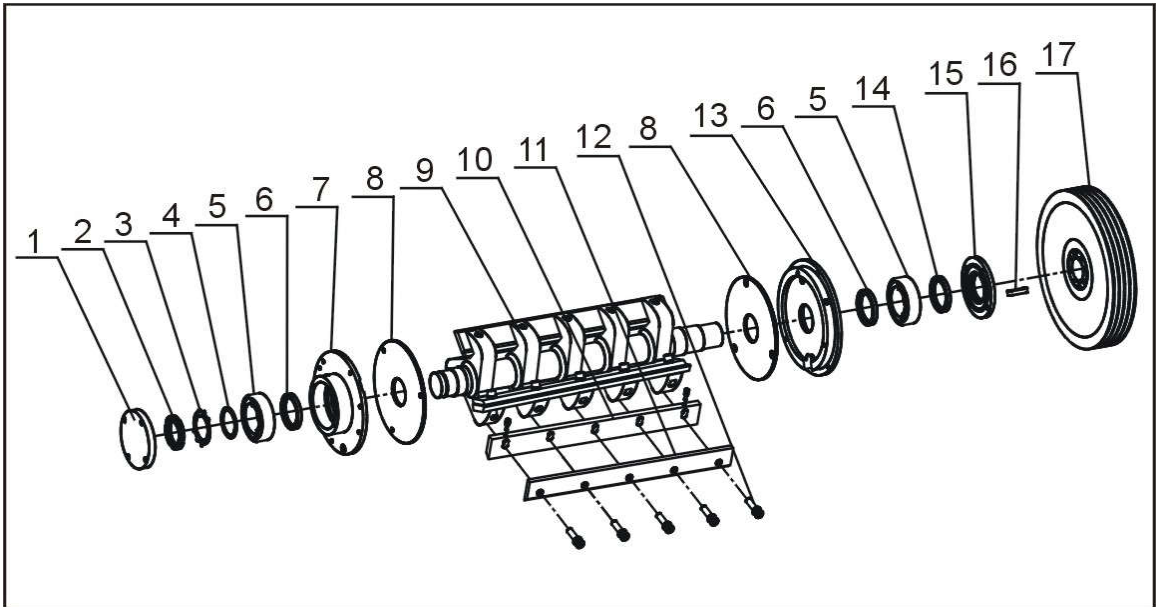
Note: Please refer to material list 6 about the parts code.

## 6. Parts List of Cutting Chamber Assembly One(SG-30E)

No.	Name	SG-3048E		SG-3060E	
		Part No.	Quantity	Part No.	Quantity
1	Left side plate	BH10306501110	1	BH10306501110	1
2	Hinge base	-	2	-	2
3	Hinge pin	YW09301400000	2	YW09301400000	2
4	A type elastic ring for axis use 16	YW69001600000	2	YW69001600000	2
5	Star knob	YW09003010500	2	YW09003010500	2
6	Flat gasket	YW66123200100	2	YW66123200100	2
7	Star nut (M12)	YW09001200500	2	YW09001200500	2
8	Front pressing block	BW30304801310	1	BW30306101310	1
9	Fixed blades	YW42234800100	2	YW42325800000	2
10	Front block	BW30304800510	1	BW30306500010	1
11	Right side plate	BH10306101210	1	BH10306101210	1
12	Plate for hanging screen bracket	-	1	-	1
13	Rear pressing block	BW30304800910	1	BW30306901310	1
14	Spring pin 8×40	YW69084000000	8	YW69084000000	8
15	Rear block	BW30304800810	1	BW30306800310	1

Please confirm the version of manual before placing the purchase order to guarantee that the item number of the spare part is in accordance with the real object.

## 7. Cutting Chamber Assembly Two (SG-30E)



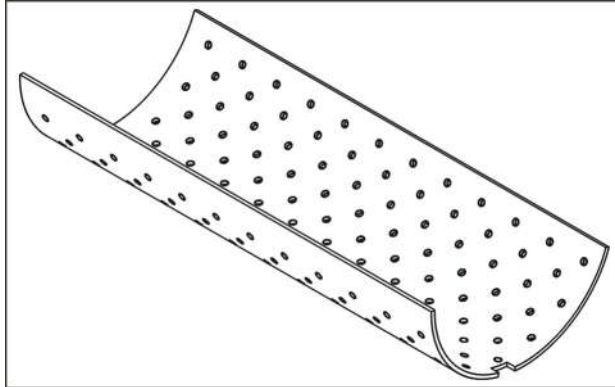
Note: Please refer to material list 8 about the parts code.

## 8. Parts List of Cutting Chamber Assembly Two (SG-30E)

No.	Name	SG-3048E		SG-3060E	
		Part No.	Quantity	Part No.	Quantity
1	Left bearing block cover plate	BW30301300010	1	BW30301300010	1
2	Small round nut M64×2	YW64642000000	1	YW64642000000	1
3	Stop washer 64	YW09640000000	1	YW09640000000	1
4	Bearing washer	BL54301110020	1	BL54301110020	1
5	Self-aligning roller bearing 22213	YW11222100300	2	YW11222100300	2
6	Oil seal 90×70×10	YR80971000000	2	YR80971000000	2
7	Left bearing block	BW30301200010	1	BW30301200010	1
8	Material baffle plate	BH11300820010	2	BH11300820010	2
9	Blade shaft	BH11306006110	1	BH11306006110	1
10	Rotary blades	BW30301300010	3	BW30301300010	3
11	Pressing plate for rotary blades	BH11304803810	3	BH10306000910	3
12	Inner hexagon column screw	YW61145000000	15	YW61145000000	15
13	Right bearing block	BW30300202110	1	BW30300202110	1
14	Oil seal 80×65×8	YR80806500000	1	YR80806500000	1
15	Oil seal 80×65×8	YR80806500000	1	YR80806500000	1
16	Flat key 18×11×55	-	1	-	1
17	Big wheel	<b>BW30002305220</b>	1	<b>BW30002305220</b>	1
18	Big wheel sleeve	<b>BW30003005220</b>	1	<b>BW30003005220</b>	1

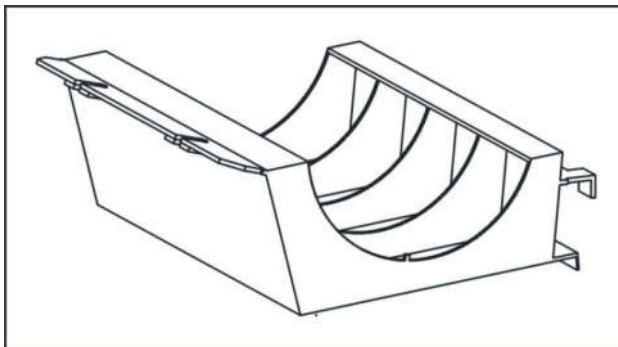
Please confirm the version of manual before placing the purchase order to guarantee that the item number of the spare part is in accordance with the real object.

### 9. Screen (SG-30E)



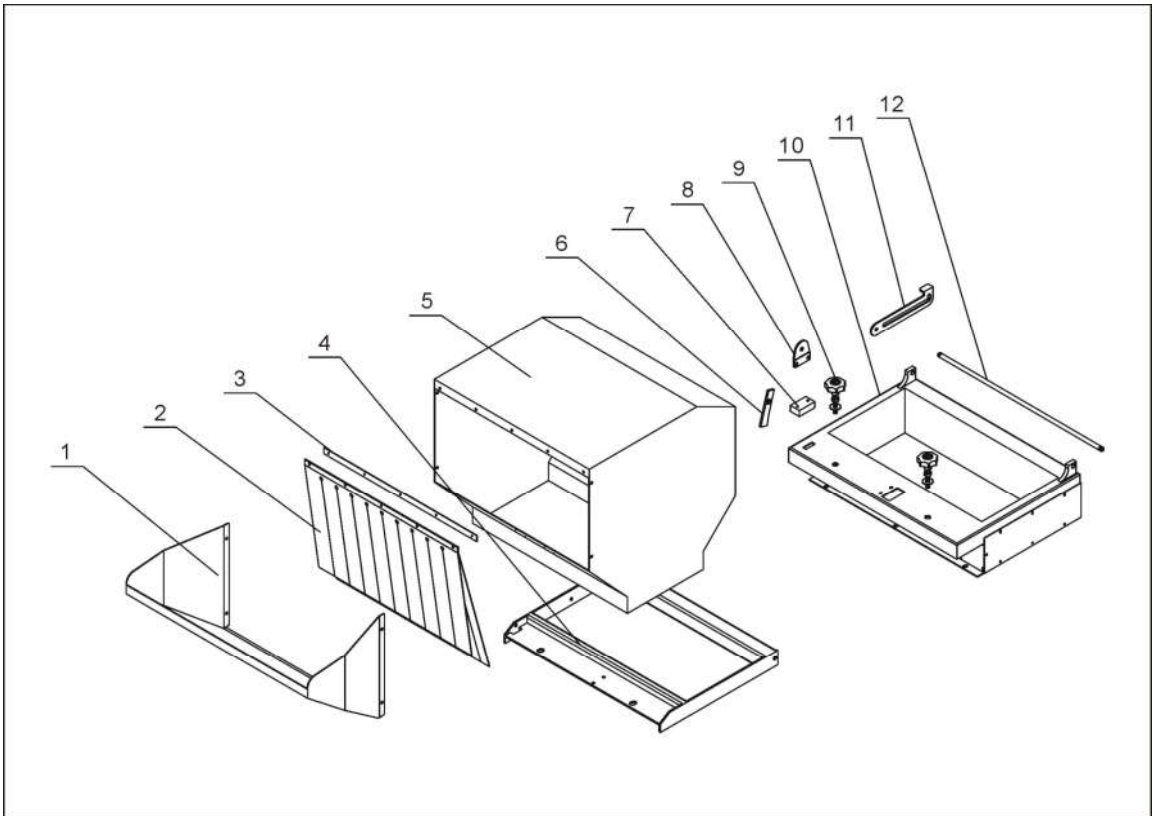
No	Name	SG-3048E		SG-3060E	
		Part No.	Quantity	Part No.	Quantity
1	Screen8mm	BL54304806020	1	BL54306006020	1

### 10. Screen Bracket Assembly (SG-30E)



No.	Name	SG-3048E		SG-3060E	
		Part No.	Quantity	Part No.	Quantity
1	Screen Bracket Assembly	-	1	-	1

## 11. Parts List of Feeding Box Assembly (SG-30E)



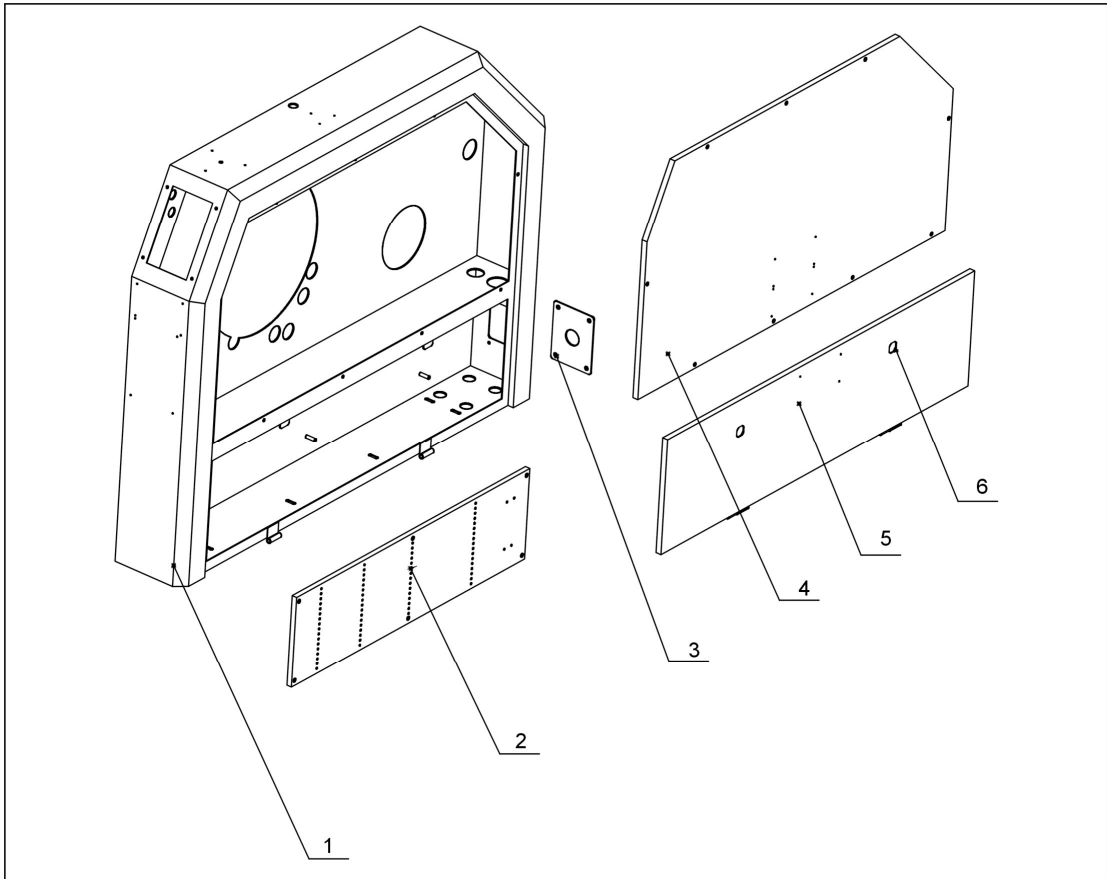
Note: Please refer to material list 12 about the parts code.

## 12. Parts List of Feeding Box Assembly (SG-30E)

No.	Name	SG-3048E		SG-3060E	
		Part No.	Quantity	Part No.	Quantity
1	Feeding port	-	1	-	1
2	Material baffle plate	-	1	-	1
3	Press plate for material baffle plate	-	1	-	1
4	Square pipe rack	-	1	-	1
5	Feeding box	-	1	-	1
6	Pothook	-	1	-	1
7	Switch fixing block	-	1	-	1
8	Mounting base	-	1	-	1
9	Star knob assembly of feeding box	BH11300200010	2	BH11300200010	2
10	Granulating box	-	1	-	1
11	Support frame	-	1	-	1
12	Feeding box shaft	BH10300800040	2	BH10300800040	2

Please confirm the version of manual before placing the purchase order to guarantee that the item number of the spare part is in accordance with the real object.

### 13. Cover Parts (SG-30E)



Note: Please refer to material list 14 about the parts code.

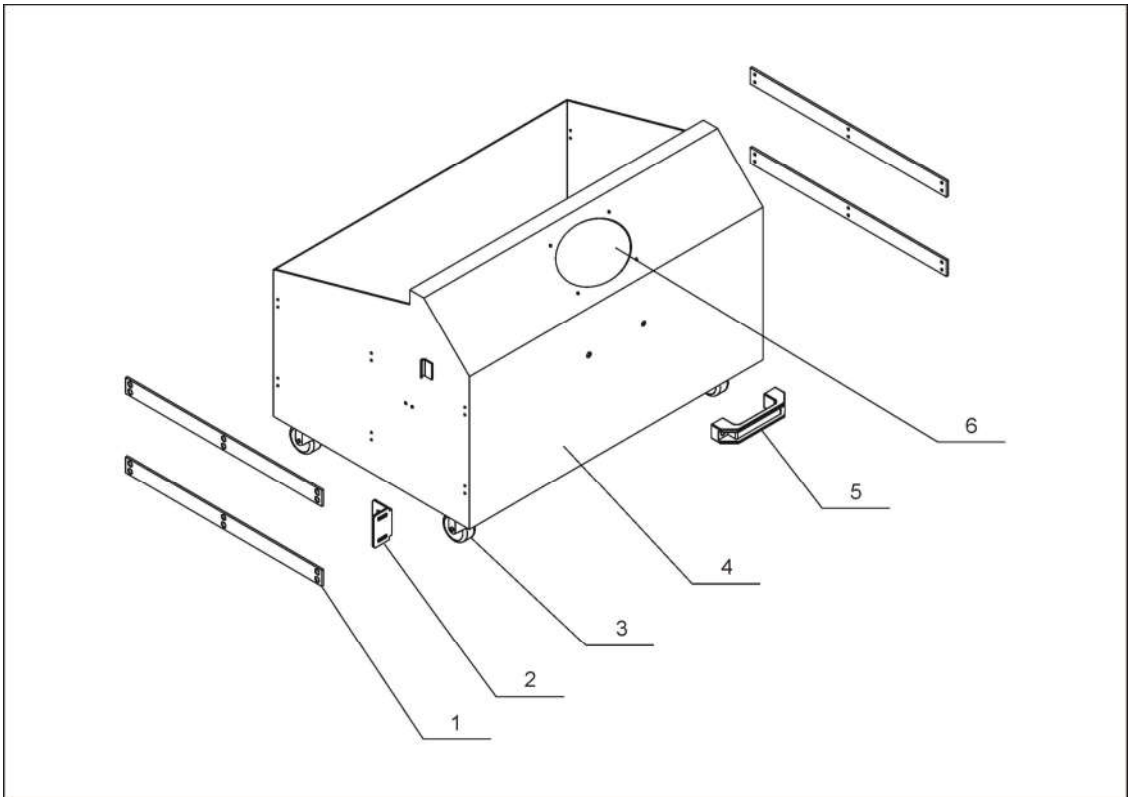
### 14. Parts List of Cover Parts (SG-30E)

No.	Name	SG-30E	
		Part No.	Quantity
1	Shell	-	1
2	Wiring board	-	1
3	Clamp fixing plate	BL50210000020	1
4	Upper cover plate of shell	-	1
5	Lower cover plate of shell	-	1
6	Long door lock	YW00000000100	2

Please confirm the version of manual before placing the purchase order to guarantee that the item number of the spare part is in accordance with the real object.



## 15. Storage Box Assembly (SG-30E)



Note: Please refer to material list16 about the parts code.

## 16. Parts List of Storage Box Assembly (SG-30E)

No.	Name	SG-30E	
		Part No.	Quantity
1	Baffle plate	-	4
2	Fixing plate of safety switch	-	1
3	Rotary castor 2"	YW03000200000	4
4	Storage box	-	1
5	Aluminum square handle	BW20012000140	1
6	Sight glass	-	1

Please confirm the version of manual before placing the purchase order to guarantee that the item number of the spare part is in accordance with the real object.

## 17. Screen (SG-30E)



Diameter (mm)	Part No.	
	SG-3048E	SG-3060E
Φ4	BL54304806120	BL54306006120
Φ6	BL54304806220	BL54306006220
Φ10	BL54304806320	BL54306006320
Φ12	BL54304806420	BL54306006420

## 18. Blades

Material	International Code		
	China	America	Japan
SKD11	Cr12MoV	D2	SKD11