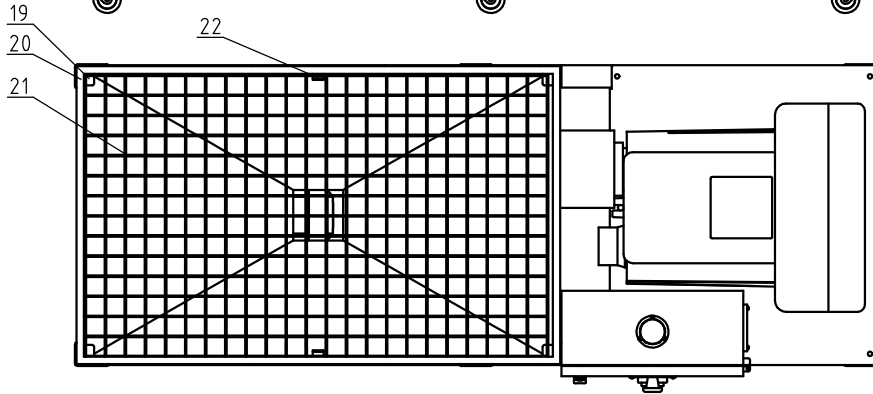
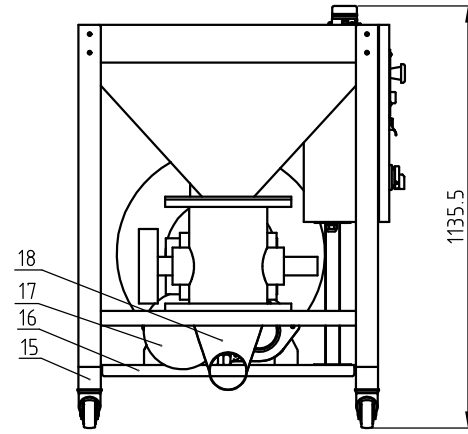
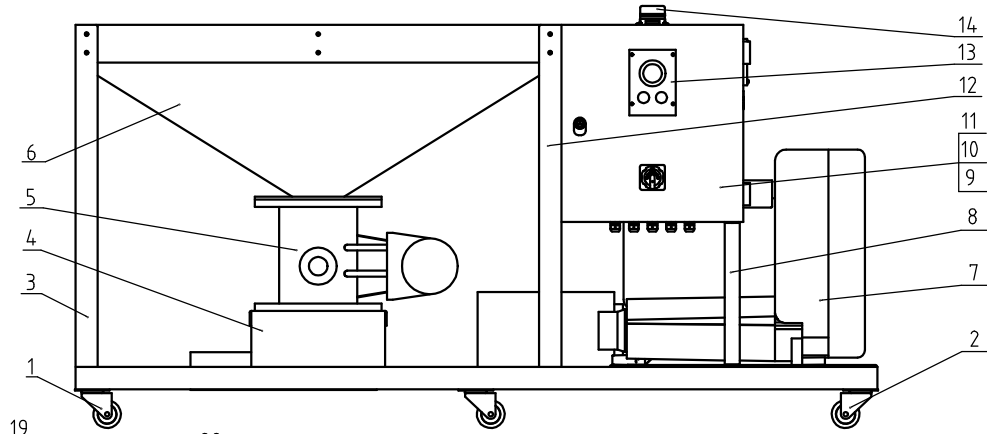


17	YR50002006100	Hongshen MF-20 filter		1	
16	SRPC-4-A-07	Blower mount plate		1	
15	SRPC-4-A-01	Beam		2	
14	BL90000011520	3-color alarm light (red, yet. gre.+buzzer)AC/DC24			
13	SRPC-2-A-11	Control box plate		1	
12	SRPC-4-A-05	Column 1		1	
11	SRPC-4-A-10	Elec. bottom plate		1	
10	SRPC-4-A-09	Control box door plate		1	
9	SRPC-4-A-08	Control box body		1	
8	SRPC-4-A-14	Control box support beam		1	
7	BM30081000050	Shini blower RB-850(10HP)3/230V/400V/50/60HZ blk		1	
6	SRPC-4-A-03	Storage Box		1	
5		Rotary Discharge Valve (LGFWF-4)		1	
4	SRPC-4-A-02	Accelerating chamber mount plate		1	
3	SRPC-4-A-06	Column 2		3	
2	YW03000300000	Black brake castor 3"		2	
1	YW03000300200	Black movable castor 3"		2	
22	SRPC-2-A-14	Collective Box Nut Plate 3		2	
21	SRPC-4-A-11	Filter Screen		1	
20	SRPC-2-A-13	Storage Box Nut Plate 2		2	
19	SRPC-2-A-12	Storage Box Nut Plate 1		2	
18	SRPC-2-A-04	Accelerating Chamber		1	
No.	Material number	Name	Mat.	Num.	Remarks

					Draw		Ver.	0	Title	SRPC-4	Drawing no.	SRPC-4-A-ALL	Scale	1:18	Num.	1
					Desi		App.		General Assembly Drawing of Positive Pressure Conveying						Mat.	
					Check		by		信易電熱機械股份有限公司 Shini Plastics Technologies, Inc.			Surface req.				
Mark	Before Mark	After Mod.	Modified by	Date	App.		Date	20200424				Mat No.				



17	YR50003200100	Shenghong MF-32 filter	1	
16	SRPC-6-A-09	Blower installation plate	1	
15	SRPC-6-A-02	Crossbeam	2	
14	BL90000011520	Three color alarm light (red, yell, green,+ buzzer) AC/DC24	1	
13	SRPC-2-A-11	Control panel	1	
12	SRPC-6-A-05	Column	1	
11	SRPC-6-A-11	Electrical base plate	1	
10	SRPC-6-A-07	Door plank	1	
9	SRPC-6-A-08	Control box	1	
8	SRPC-6-A-10	Control box support beam	1	
7	YM40291000100	Ruijing blower 2HB910H17(12.5KW)	1	
6	SRPC-6-A-01	Collection hopper	1	
5		Rotary valve LGBZGFWF6-B-8KV(Liling gear motor0.75KW)	1	
4	SRPC-6-A-03	Acceleration chamber mounting plate	1	
3	SRPC-6-A-06	Column 2	3	
2	YW03000300000	Brake black castor 3"	2	
1	YW03000300200	Activity black castor 3"	4	

22	SRPC-2-A-14	Aggregate box nut plate 3	2		
21	SRPC-6-A-14	Filter screen	1		
20	SRPC-2-A-13	Aggregate box nut plate 2	4		
19	SRPC-2-A-12	Aggregate box nut plate 1	4		
18	SRPC-6-A-04	Acceleration chamber	1		
序号	代号	名称	材质	数量	备注

					制图	版号	0	标题	SRPC-6	图号	SRPC-6-A-ALL	比例	1:18	数量	1
					设计	核准		正压输送总装图						材质	
					校对			信易電熱機械股份有限公司 Shini Plastics Technologies, Inc.				表面要求			
标记	更改前	更改后	更改人	日期	审核	日期	2024.0112					物料号			