

45	SSM-80U-ALL-13	Shaft sleeve	Teflon	1
44	SSM-80U-ALL-12	Sleeve	SUS201	1
43	SSM-80U-B-ALL	Mixing assembly	Assembly	1
42	SSM-160U-ALL-05	Bearing base	45	1 borrow
41	YR20456512000	Oil sealing 45x65x12	Assembly	1
40	YW11320900000	Bearing HR32009XJ3CC	Assembly	1
39	SSM-160U-ALL-06	Upper shaft coupling	45	1 borrow
38	YW11009500000	Shaft connecting elastic component ML-95	Black rubber	1
37	SSM-160U-ALL-01	Upper shaft connector	45	1 borrow
36	SSM-80U-ALL-06	Sliding machine leg.	Assembly	3 borrow
35	YW62051000100	Large cross recessed flat head screw JIS1111 M5x10	Longzine	4
34	YW61085500000	Inner hex. column head screw GB/T701 M8x55-12.9		9
33	YW00251000000	Hand hook SHD-25		2
32	YR40083500000	Star handle M8 x35		1
31	YW60082010000	Hex. nut M8(anti-loose) (SUS201)		5
30	SSM-80U-ALL-07	Microswitch fixed base	SPCC3.0	1
29	YE14450000000	Limit switch D4MC-5000	Assembly	1
28	YW64040700100	Non-metal insert hex. lock nut GB/T889.1 M4		2
27	YW61043000000	Inner hex. column head screw GB/T701 M4x30-12.9-Longzine		2
26	SSM-80U-C-ALL	Hopper assembly	Assembly	1
25	YW00121000000	Handle SHD-12	Assembly	2
24	YE67111000000	Quick pipe hose connector WQG1-P11B/AD15.8		5
23	SSM-160U-ALL-03	Control box fixed base	SPCC3.0	1 borrow
22	YW66061300000	Flat washer A grade GB/T97.1 6-Longzine		4
21	YW65006000100	Standard spring washer GB/T93 6-Longzine		5
20	YW61061200000	Inner hex. column head screw GB/T701 M6x12-12.9-Longzine		4
19	SSM-160U-D-ALL	Control box assembly	Assembly	1 borrow
18	YM50752500000	Gear motor TBSA050-7.5-71C4-0.55kW	Assembly	1
17	YW61085000000	Inner hex. column head screw GB/T701 M8x50-12.9		4

61	YW62050500000	Large cross recessed flat head screw JIS1111 M5x5	Longzine	6	16	SSM-80U-ALL-11	Hopper cover mat edge	SUS201	2
60	YW62041000000	Large cross recessed flat head screw JIS1111 M4x10	Longzine	8	15	YR10005000300	Hopper fastener SVM-50	White rubber	1
59	YE15123000100	Reed switch BN12-30BLA	Assembly	2	14	SSM-80U-ALL-10	Alu base ring	LY12	1
58	SSM-160U-ALL-07	Reed switch fixed base 4	SUS304	2 borrow	13	YW61081600200	Inner hex. column head screw GB/T701 M8x16-A2-70/SUS		6
57	SSM-80U-ALL-02	Hopper cover pressing plate	SPH5.0	1	12	SSM-80U-ALL-09	Flashboard	SUS201	1
56	SSM-160U-ALL-02	Motor fixed base	Assembly	1 borrow	11	SSM-80U-ALL-08	Flashboard fixed plate	SPH10	2
55	SSM-80U-A-ALL	Hopper cover assembly	Assembly	1	10	YW66102000100	Flat washer A grade GB/T97.1 10(11x20x2)	Longzine	6
54	SSM-160U-ALL-08	Reed switch fixed base 1	SUS201	2 borrow	9	YW65010000000	Standard spring washer GB/T93 10-Longzine		6
53	BW20012000140	Alu handle L120(M8 hole)black(has mould)		3	8	YW61103000100	Inner hex. column head screw GB/T701 M10x30-12.9	Longzine	4
52	YW61082001200	Inner hex. column head screw GB/T701 M8x20		4	7	YW66123200100	Flat washer A grade GB/T96 12(13x37x3)	Longzine	6
51	YW66061800000	Large washer A grade GB/T96.1 6-Longzine		1	6	YW65012000000	Standard spring washer GB/T93 12-Longzine		6
50	YW61061601200	Inner hex. column head screw GB/T701 M6x16-12.9-Longzine		1	5	YW60128500000	Hex. bolt GB/T5782M12x85-8.8	Longzine	6
49	YW61103500000	Inner hex. column head screw GB/T701 M10x35-12.9-Longzine	Longzine	2	4	YW66081900000	Flat washer A grade GB/T97.1 8(9x16x1.6)		30
48	SSM-80U-ALL-16	Main shaft positioning pin	SPH10	1	3	YW65008000100	Standard spring washer GB/T93 8-Longzine		30
47	SSM-80U-ALL-15	Main shaft positioning pin 1	SUS201	1	2	YW60081600100	Hex. bolt GB/T5781 M8x16-4.8-Longzine		12
46	SSM-80U-ALL-14	Hinge pin	45	1	1	YW03000301000	Castor 3"	Assembly	3

Tech. Req:

Main performance para:

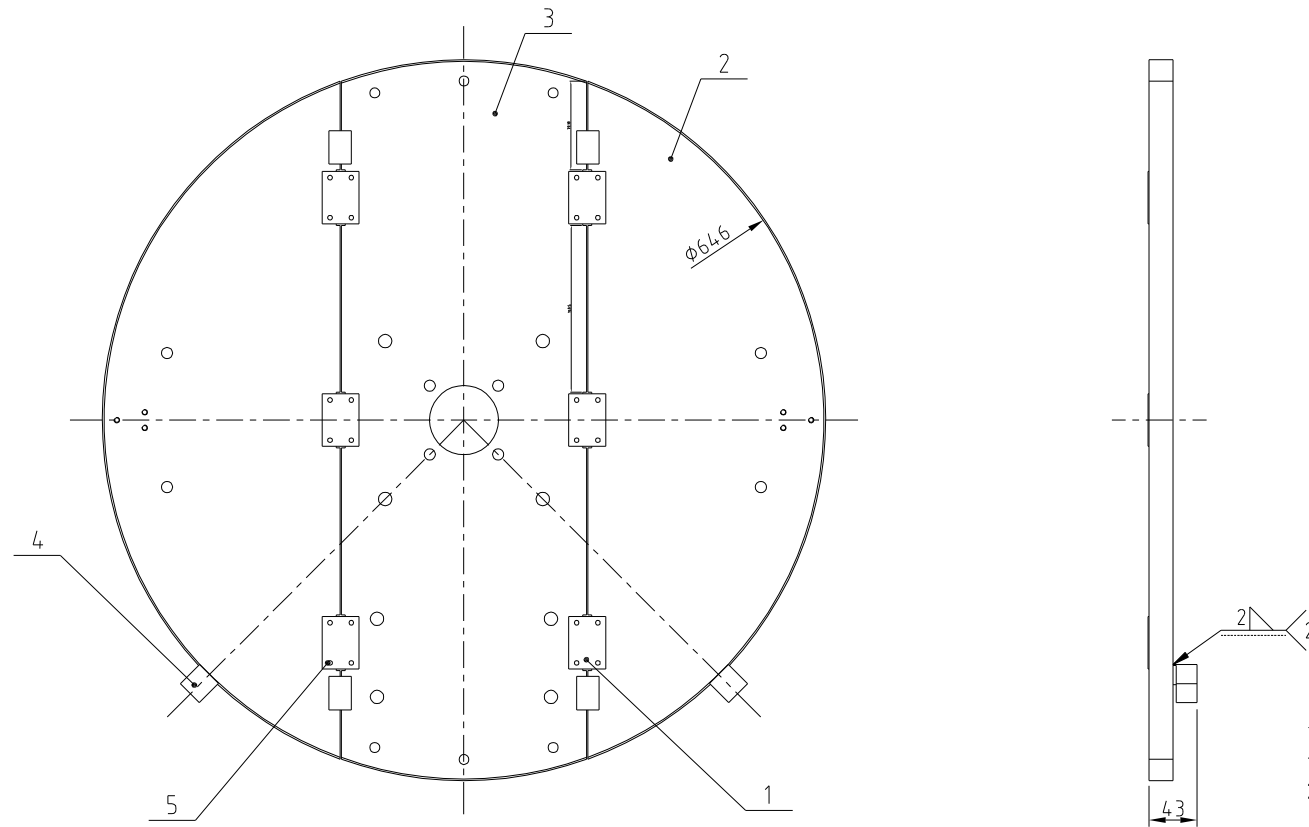
a The max. throughput is 200kg/hr. (The test material bulk density is 0.65kg/L);

b Mixing hopper capacity is 122L, effective capacity is 80L;

c Machine power: 3 ̄, 400VAC, 50Hz;

d Gear motor power: 0.55kW, ratio: 1:7.5;

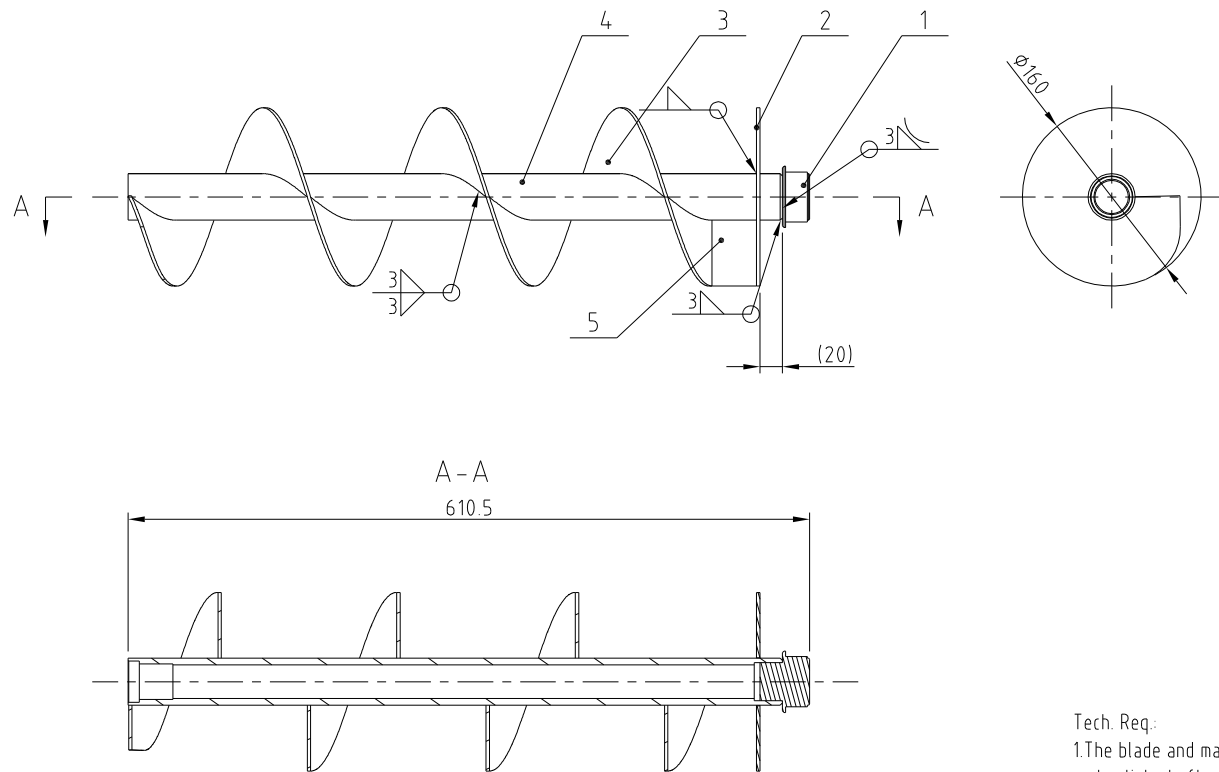
序号	代号	名称	材质	数量	备注	序号	代号	名称	材质	数量	备注	
		制图				标题	SSM-80U	图号	SSM-80U-ALL	比例	数量	1
		设计					欧化混合式储料桶			材质	组件	
		校对								表面要求		
标记	更改前	更改后	更改人	日期	审核	日期	信易电热机械股份有限公司 Shini Plastics Technologies, Inc.		物料号			



Tech. Req.:
 1 Deburring and blunt edges;
 2 Remove the welding slag and make the weld smooth.

5	YW690504.00000	Blind rivet 5-4	SUS202	24	
4	SSM-160U-A-03	Reed switch fixed base welding	Assembly	2	borrow
3	SSM-80U-A-02	Middle cover	SUS201	1	
2	SSM-80U-A-01	Bilateral cover	SUS201	2	
1	YW06000200000	2" stainless steel hinge	SUS201	6	
序号	代 号	名 称	材 质	数 量	备 注

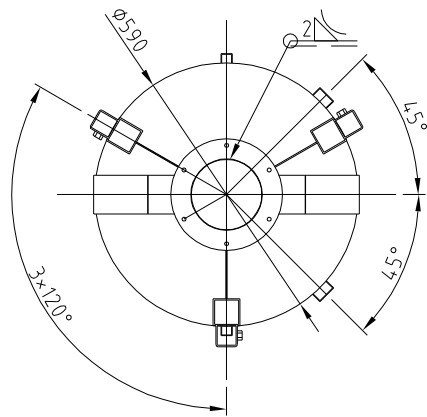
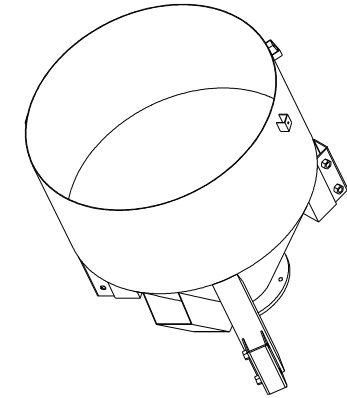
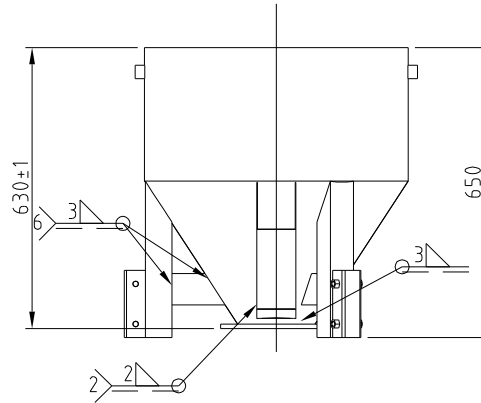
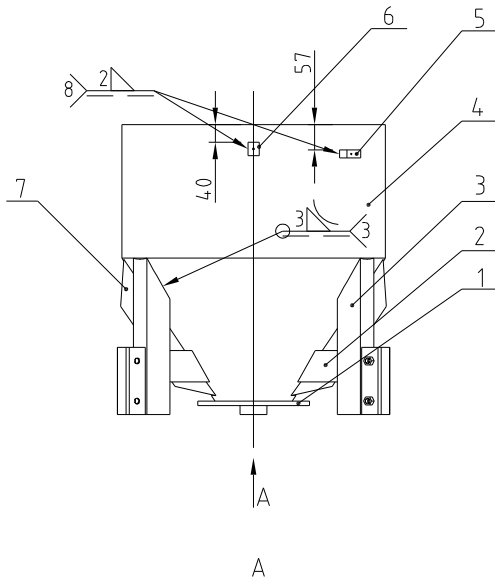
					制图	版号	标题	SSM-80U	图号	SSM-80U-A-ALL	比例	数量	1
					设计	核 准	桶盖组合					材质	组合件
					校对		信易電熱機械股份有限公司 Shini Plastics Technologies, Inc.				表面要求	烤RAL 9010	
标记	更改前	更改后	更改人	日期	审核	日期						物料号	



Tech. Req:
1.The blade and main shaft shall be fully welded and polished after welding;

5	SSM-80U-B-06	Bulk material plate	SUS304	1	
4	SSM-80U-B-02	Rotary shaft	SUS201	1	
3	SSM-80U-B-03	Screw blade	SUS304	1	
2	SSM-80U-B-01	Fender	SUS304	1	
1	SSM-80U-B-05	Lower shaft coupling	SUS304	1	
序号	代号	名称	材质	数量	备注

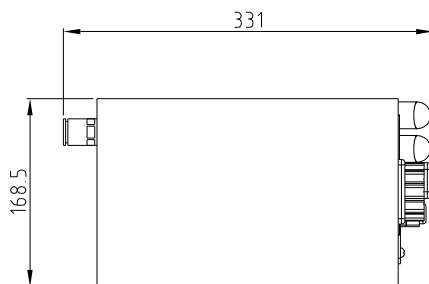
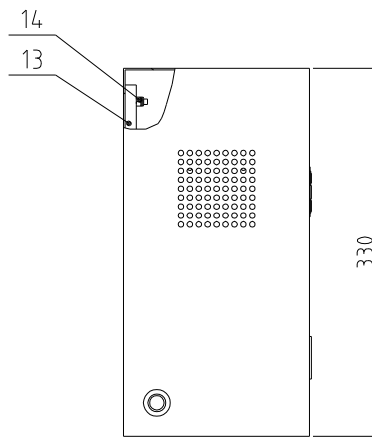
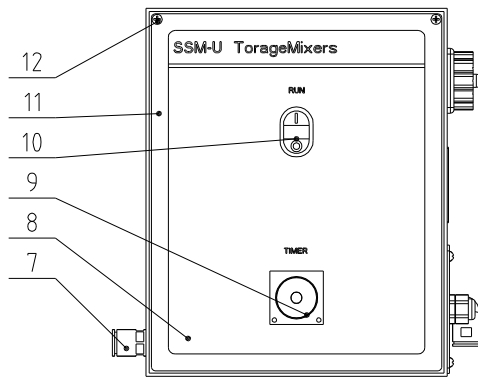
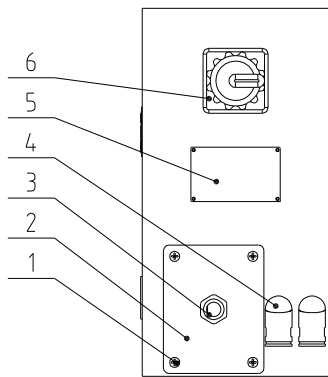
					制图	版号	标题	SSM-80U	图号	SSM-80U-B-ALL	比例	数量	1
					设计	核准	拌料组合					材质	组合件
					校对		信易電熱機械股份有限公司 Shini Plastics Technologies, Inc.			表面要求	抛光		
标记	更改前	更改后	更改人	日期	审核	日期		物料号	BL34008000020				



Tech. Req.
 1. Deburring and blunt edges;
 2. The unmarked dimensional tolerance shall meet the GB / t1804-m standard
 3. Remove the welding slag and make the weld smooth.

7	SSM-80U-C-05	U-type pipe seat	SUS201	2	
6	SSM-160U-C-06	Handle fixed block	SUS201	2	borrow
5	SSM-160U-C-07	Reed switch fixed base 5	SUS304	2	borrow
4	SSM-80U-C-01	Hopper body	SUS201	1	
3	SSM-80U-C-02	Machine foot assembly	Assembly	3	
2	SSM-80U-C-03	Machine leg reinforced block	SPCC3.0	3	
1	SSM-80U-C-04	Mat. discharge port base	SPH10	1	
序号	代号	名称	材质	数量	备注

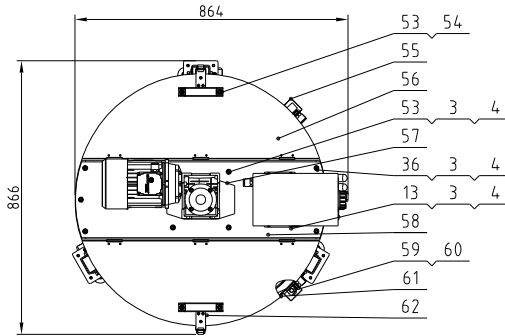
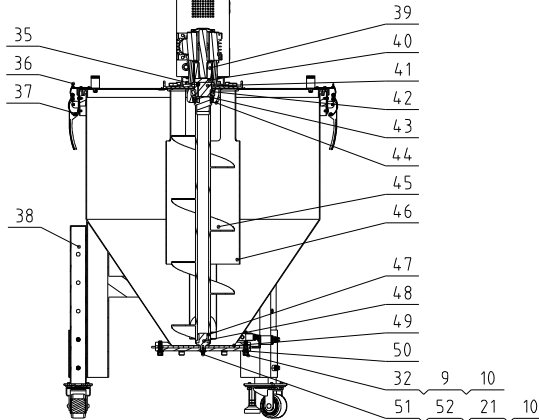
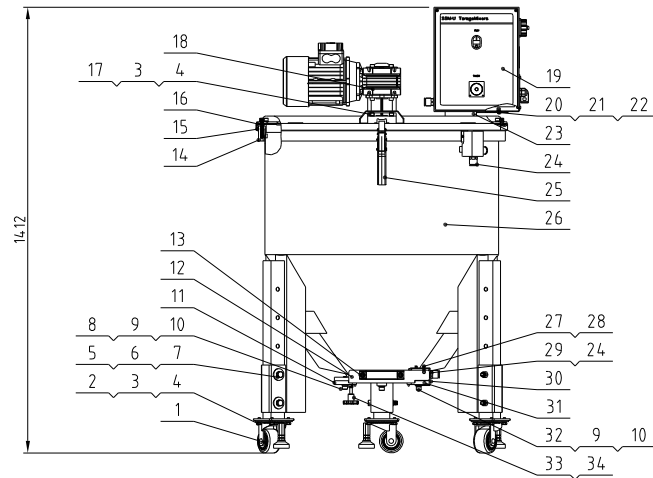
					制图	版号	标题	SSM-80U	图号	SSM-80U-C-ALL	比例	数量	1
					设计	核准	桶身组合					材质	组合件
					校对		信易電熱機械股份有限公司 Shini Plastics Technologies, Inc.				表面要求	RAL7016	
标记	更改前	更改后	更改人	日期	审核	日期						物料号	



Remark:
 (1) Used when pneumatic discharge valve is selected;
 (2) Control BOM parts;

14	YW64.000500000	Hex. nut M5 anti-loose		4	
13	SSM-160U-D-03	Control box bottom plate		1	
12	YW62051000100	Large cross recessed flat head screw JIS1111 M5x10	Assembly	2	
11	SSM-160U-D-02	Control box cover	SPCC15	1	
10	YE11222400000	Assembled switch APBB-22N (indicator 24 VACN)	Assembly	1	(2)
9	YE03482400000	Time relay TM48S-AB 24~240V	Assembly	1	(2)
8	YR01023002100	Panel SSM-U ver. 230x290mm adhesive req: >65N		1	
7	YE67111000000	Quick pipe hose connector WQG1-P11B/AD15	SPCC15	1	
6	YE10021160000	Main power switch T0-2-1/EA/SVB/20A(EATON)	Assembly	4	(2)
5	YP30804900700	Alu. plate nameplate 80x49		1	
4	YE67119040000	Right angle elbow AL16/PG11/C90/BL		2	
3	YE67201500100	Copper nickel plated cable joint LT12-M20x15		1	
2	SSM-160U-E-05	Switch fixed plate	SPCC15	1	(1)
	BL50135000020	Wire clamp fixed plate PG13.5 SG-S-01		1	
1	YW62050500000	Large cross recessed flat head screw JIS1111 M5x5		4	
序号	代号	名称	材质	数量	备注

					制图	版号	标题	SSM-160U	图号	SSM-160U-D-ALL	比例	数量	1
					设计	核准	电控箱组合					材质	组件
					校对		信易電熱機械股份有限公司 Shini Plastics Technologies, Inc.				表面要求		
标记	更改前	更改后	更改人	日期	审核	日期						物料号	



45	SSM-160U-B-ALL	Mixing assembly	Assembly	1
44	SSM-160U-ALL-05	Bearing base	45	1
43	YR20456512000	Oil sealing 45x65x12	Assembly	1
42	YW11320900000	Bearing HR32009X3CC	Assembly	1
41	SSM-160U-ALL-06	Upper shaft coupling	45	1
40	YW11009500000	Shaft connecting elastic component ML-95	Black rubber	1
39	SSM-160U-ALL-01	Upper shaft connector	45	1
38	SSM-160U-ALL-13	Sliding machine leg.	Assembly	3
37	YW62051000100	Large cross recessed flat head screw JIS1111 M5x10	Longzine	4
36	YW00251000000	Hand hook SHD-25		2
35	YW61085500000	Inner hex column head screw GB/T70.1 M8x55-12.9		9
34	YR40083500000	Star handle M8 x35		1
33	YW60082010000	Hex. nut M8(anti-loose) (SUS201)		5
32	YW61103500000	Inner hex column head screw GB/T70.1 M10x35-12.9	Longzine	4
31	SSM-160U-ALL-21	Flashboard fixed plate 2	SPH12	1
30	SSM-160U-ALL-14	Microswitch fixed base	SPCC3.0	1
29	YE14450000000	Limit switch D4MC-5000	Assembly	1
28	YW64040700100	Non-metal insert hex. lock nut GB/T889.1 M4		2
27	YW61043000000	Inner hex column head screw GB/T70.1 M4x30-12.9-Longzine		2
26	SSM-160U-C-ALL	Hopper assembly	Assembly	1
25	YW00121000000	Handle SHD-12	Assembly	2
24	YE67111000000	Quick pipe hose connector WQG1-P11B/AD15.8		5
23	SSM-160U-ALL-03	Control box fixed base	SPCC3.0	1
22	YW66061300000	Flat washer A grade GB/T93 1.6-Longzine		4
21	YW65006000100	Standard spring washer GB/T93 6-Longzine		5
20	YW61061200000	Inner hex column head screw GB/T70.1 M6x12-12.9	Longzine	4
19	SSM-160U-D-ALL	Control box assembly	Assembly	1
18	YM05725200000	Gear motor TBSA050-7.5-71C4-0.55kW	Assembly	1
17	YW61085000000	Inner hex column head screw GB/T70.1 M8x50-12.9		4
16	SSM-160U-ALL-12	Hopper cover mat edge	SUS201	2
15	YR10005000300	Hopper fastener SVM-50	White rubber	2
14	SSM-160U-ALL-11	Alu base ring	LY12	1
13	YW61081600200	Inner hex column head screw GB/T70.1 M8x16-A2-70/SUS		6
12	SSM-160U-ALL-18	Flashboard	SUS201	1
11	SSM-160U-ALL-17	Flashboard fixed plate	SPH12	1
10	YW66102000100	Flat washer A grade GB/T93 1.1011x20x2	Longzine	6
9	YW65010000000	Standard spring washer GB/T93 10-Longzine		6
8	YW61103000100	Inner hex column head screw GB/T70.1 M10x30-12.9	Longzine	2
7	YW66123200100	Flat washer A grade GB/T96 12113x37x3	Longzine	6
6	YW65012000000	Standard spring washer GB/T93 12-Longzine		6
5	YW60128500000	Hex. bolt GB/T5782M12x85-8.8	Longzine	6
4	YW66081900000	Flat washer A grade GB/T97.1 8(9x16x1.6)		30
3	YW65008000100	Standard spring washer GB/T93 8-Longzine		30
2	YW60081600100	Hex. bolt GB/T5781 M8x16-4.8-Longzine		12
1	YW03000301000	Castor 3"	Assembly	3

62	YW62050500000	Large cross recessed flat head screw JIS1111 M5x5	Longzine	6
61	YW62041000000	Large cross recessed flat head screw JIS1111 M4x10	Longzine	8
60	YE15123000100	Reed switch BN12-30BLA	Assembly	2
59	SSM-160U-ALL-07	Reed switch fixed base 4	SUS304	2
58	SSM-160U-ALL-04	Hopper cover pressing plate	SPH5.0	1
57	SSM-160U-ALL-02	Motor fixed base	Assembly	1
56	SSM-160U-A-ALL	Hopper cover assembly	Assembly	1
55	SSM-160U-ALL-08	Reed switch fixed base 1	SUS201	2
54	BW2001200014.0	Alu handle L120(MB hole)black(has mould)		3
53	YW61082001200	Inner hex column head screw GB/T70.1 M8x20		4
52	YW66061800000	Large washer A grade GB/T96 1.6-Longzine		1
51	YW61061601200	Inner hex column head screw GB/T70.1 M6x16-12.9-Longzine		1
50	SSM-160U-ALL-16	Main shaft positioning pin	SPH10	1
49	SSM-160U-ALL-15	Main shaft positioning pin 1	SUS201	1
48	SSM-160U-ALL-20	Hinge pin	45	1
47	SSM-160U-ALL-19	Shaft sleeve	Teflon	1
46	SSM-160U-ALL-22	Sleeve	SUS201	1

Tech. Req:

Main performance para:

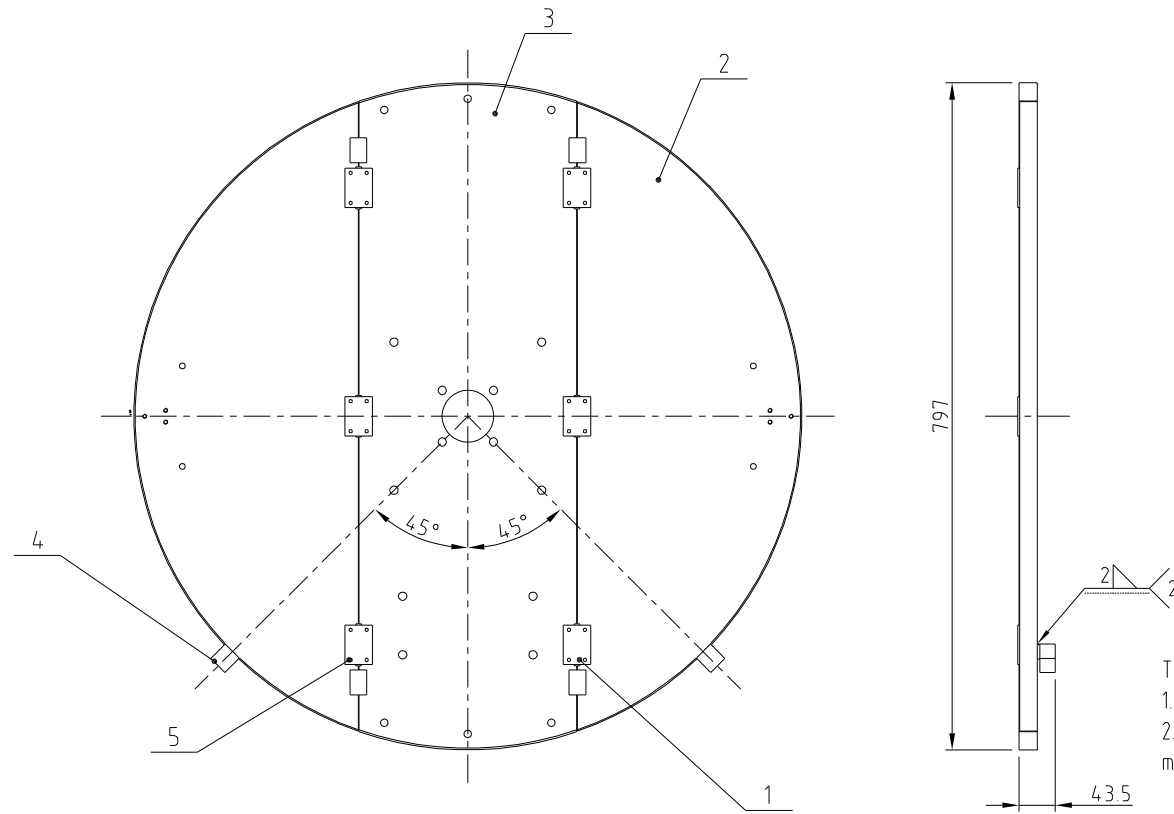
a. The max. throughput is 400kg/hr. (The test material bulk density is 0.65kg/L);

b. Mixing hopper capacity is 249L, effective capacity is 160L;

c. Machine power: 3 C, 400VAC, 50Hz;

d. Gear motor power: 0.55kW, ratio: 1:7.5;

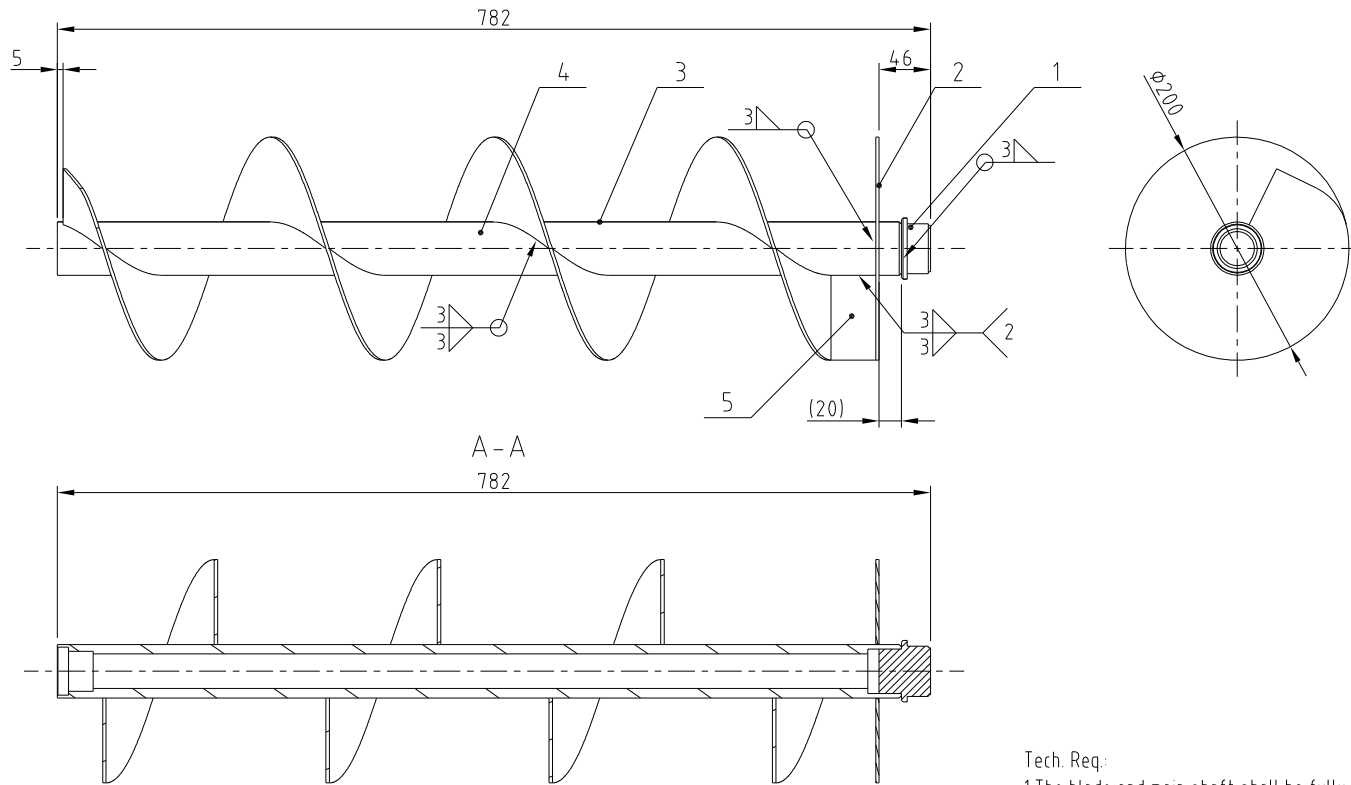
序号	代号	名称	材质	数量	备注	序号	代号	名称	材质	数量	备注
		制图				标题	SSM-160U	图号	SSM-160U-ALL	比例	数量 1
		设计					欧化混合式储料桶			材质	组件
		校对								表面要求	
标记	更改前	更改后	更改人	日期	审核	日期	 信易电热机械股份有限公司 Shini Plastics Technologies, Inc.		物料号		



Tech. Req:
 1. Deburring and blunt edges;
 2. The unmarked dimensional tolerance shall meet the GB / t1804-m standard

5	YW690504.00000	Blind rivet 5-4	SUS201	24	
4	SSM-160U-A-03	Reed switch fixed base welding	Assembly	2	
3	SSM-160U-A-02	Middle cover	SUS201	1	
2	SSM-160U-A-01	Bilateral cover	SUS201	2	
1	YW06000200000	2" stainless steel hinge	SUS304	6	
序号	代号	名称	材质	数量	备注

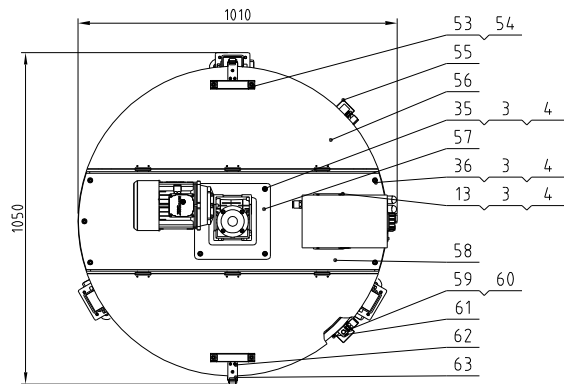
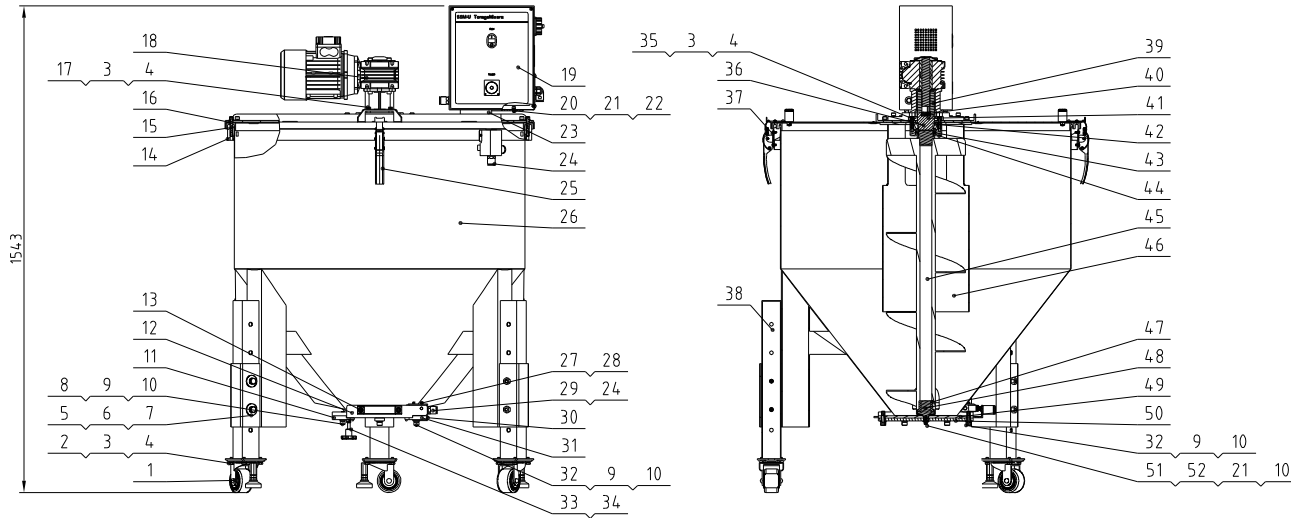
					制图		版号		标题	SSM-160U	图号	SSM-160U-A-ALL	比例		数量	1
					设计		核 准		桶盖组合					材质	组合件	
					校对				信易電熱機械股份有限公司 Shini Plastics Technologies, Inc.			表面要求	RAL9010			
标记	更改前	更改后	更改人	日期	审核	日期					物料号					



Tech. Req:
1.The blade and main shaft shall be fully welded and polished after welding;

5	SSM-160U-B-05	Bulk material plate	SUS304	1	
4	SSM-160U-B-03	Rotary shaft	SUS201	1	
3	SSM-160U-B-02	Screw blade	SUS304	1	
2	SSM-160U-B-01	Fender	SUS304	1	
1	SSM-160U-B-04	Lower shaft coupling	SUS304	1	
序号	代号	名称	材质	数量	备注

					制图	版号	标题	SSM-160U	图号	SSM-160U-B-ALL	比例	数量	1
					设计	核准	拌料组合					材质	组件
					校对		信易電熱機械股份有限公司 Shini Plastics Technologies, Inc.				表面要求	拋光	
标记	更改前	更改后	更改人	日期	审核	日期						物料号	BL34016000020



45	SSM-300U-B-ALL	Mixing assembly	Assembly	1	
44	SSM-160U-ALL-05	Bearing base	45	1	borrowed
43	YR20456512000	Oil sealing 45x65x12	Assembly	1	
42	YW11320900000	Bearing HR32009XJ3CC	Assembly	1	
41	SSM-160U-ALL-06	Upper shaft coupling	45	1	borrowed
40	YW11009500000	Shaft connecting elastic component ML-95	Black rubber	1	
39	SSM-300U-ALL-01	Upper shaft connector	45	1	
38	SSM-300U-ALL-06	Sliding machine leg.	Assembly	3	
37	YW62051000100	Large cross recessed flat head screw JIS1111 M5x10	Longzine	4	
36	YW61085500000	Inner hex. column head screw GB/T701 M6x55-12.9		9	
35	YW61083000100	Inner hex. column head screw GB/T701-M6X30-12.9-Longzine		8	
34	YR40083500000	Star handle M8 x35		1	
33	YW60082010000	Hex. nut M8(anti-loose) (SUS201)		5	
32	YW61103500000	Inner hex. column head screw GB/T701 M10x35-12.9	Longzine	4	
31	SSM-160U-ALL-21	Flashboard fixed plate 2	SPH12	1	borrowed
30	SSM-160U-ALL-14	Microswitch fixed base	SPCC3.0	1	borrowed
29	YE14450000000	Limit switch D4MC-5000	Assembly	1	
28	YW64040700100	Non-metal insert hex. lock nut GB/T889.1 M4		2	
27	YW61043000000	Inner hex. column head screw GB/T701-M6X30-12.9-Longzine		2	
26	SSM-300U-C-ALL	Hopper assembly	Assembly	1	
25	YW00121000000	Handle SHD-12	Assembly	2	
24	YE67111000000	Quick pipe hose connector WQG1-P11B/AD15.8		4	
23	SSM-160U-ALL-03	Control box fixed base	SPCC3.0	1	borrowed
22	YW66061300000	Flat washer A grade GB/T97.1 6-Longzine		4	
21	YW65006000100	Flat washer A grade GB/T97.1 6-Longzine		5	
20	YW61061200000	Inner hex. column head screw GB/T701 M6x12-12.9 Longzine		4	
19	SSM-160U-D-ALL	Control box assembly	Assembly	1	borrowed
18	YM50507500500	Gear motor TBSA050-7.5-80D4-1.1kW	Assembly	1	
17	YW60083000200	Hex. column head screw GB/T5783 M8x30-8.8-Longzine		4	
16	SSM-300U-ALL-10	Hopper cover mat edge	SUS201	2	
15	YR10005000300	Hopper fastener SVM-50	White rubber	2	
14	SSM-300U-ALL-07	Alu. base ring	LY12	1	
13	YW61081600200	Inner hex. column head screw GB/T701 M6x16-A2-70(SUS)		6	
12	SSM-160U-ALL-18	Flashboard	SUS201	1	borrowed
11	SSM-160U-ALL-17	Flashboard fixed plate	SPH12	1	borrowed
10	YW66102000100	Flat washer A grade GB/T97.1 10(11x20x2)	Longzine	6	
9	YW65010000000	Standard spring washer GB/T93 10-Longzine		6	
8	YW61103000100	Inner hex. column head screw GB/T701 M10x30-12.9	Longzine	2	
7	YW66123200100	Flat washer A grade GB/T96 12(13x37x3)	Longzine	6	
6	YW65012000000	Standard spring washer GB/T93 12-Longzine		6	
5	YW60128500000	Hex. bolt GB/T5782 M12x85-8.8	Longzine	6	
4	YW66081900000	Flat washer A grade GB/T97.1 8(9x16x16)		34	
3	YW65008000100	Standard spring washer GB/T93 8-Longzine		34	
2	YW60081600100	Hex. bolt GB/T5781 M8x16-4.8-Longzine		12	
1	YW03000301000	Castor 3"	Assembly	3	

63	YW00251000000	Hand hook SHD-25		2	
62	YW62050500000	Large cross recessed flat head screw JIS1111 M5x5	Longzine	6	
61	YW62041000000	Large cross recessed flat head screw JIS1111 M4x10	Longzine	8	
60	YE15123000100	Reed switch BN12-30BLA	Assembly	2	
59	SSM-160U-ALL-07	Reed switch fixed base 4	SUS304	2	borrowed
58	SSM-300U-ALL-03	Hopper cover pressing plate	SPH5.0	1	
57	SSM-300U-ALL-02	Motor fixed base	Assembly	1	
56	SSM-300U-A-ALL	Hopper cover assembly	Assembly	1	
55	SSM-160U-ALL-08	Reed switch fixed base 1	SUS201	2	borrowed
54	BW2001200014.0	Alu handle L120(M8 hole)(black)(has mould)		3	
53	YW61082001200	Inner hex. column head screw GB/T701 M8x20		4	
52	YW66061800000	Large washer A grade GB/T96 1.6 Longzine		1	
51	YW61061601200	Inner hex. column head screw GB/T701 M6x16-12.9-Longzine		1	
50	SSM-160U-ALL-16	Main shaft positioning pin	SPH10	1	borrowed
49	SSM-160U-ALL-15	Main shaft positioning pin 1	SUS201	1	borrowed
48	SSM-300U-ALL-11	Hinge pin	45	1	
47	SSM-300U-ALL-12	Shaft sleeve	Teflon	1	
46	SSM-300U-ALL-13	Sleeve	SUS201	1	

Tech. Req:

Main performance para:

a. The max. throughput is 800kg/hr. (The test material bulk density is 0.65kg/L);

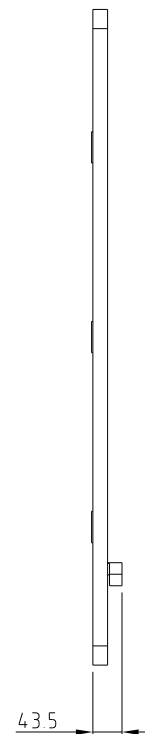
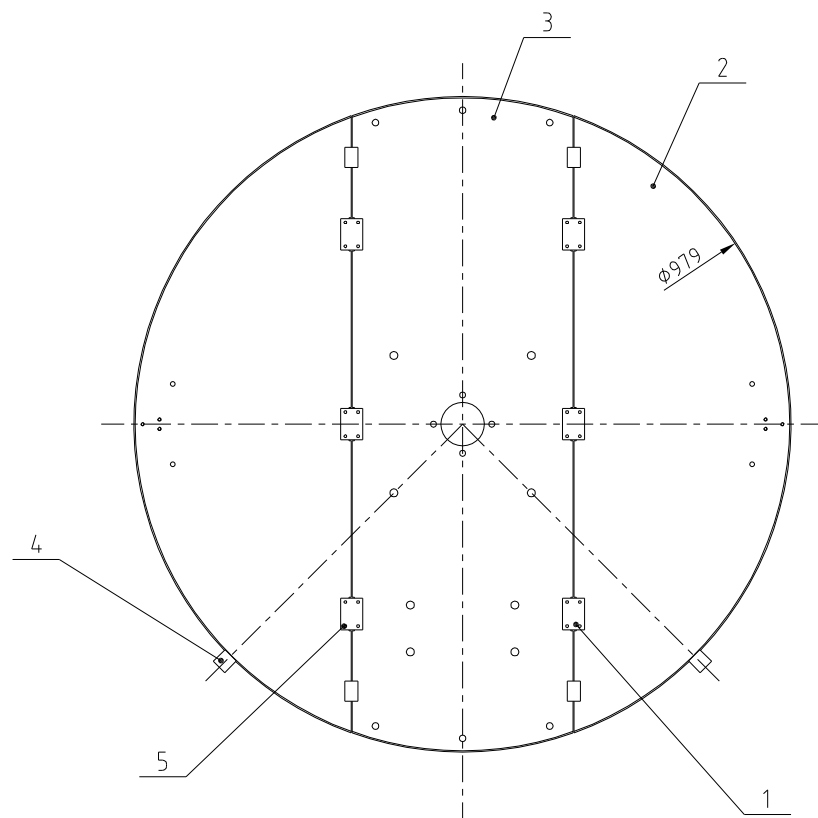
b. Mixing hopper capacity is 429L, effective capacity is 300L;

c. Machine power: 3 C, 400VAC, 50Hz;

d. Gear motor power: 1.1kW, ratio: 1:7.5;

序号	代号	名称	材质	数量	备注	序号	代号	名称	材质	数量	备注	
		制图				标题	SSM-300U	图号	SSM-300U-ALL	比例	数量	1
		设计					欧化混合式储料桶			表面要求	材质	组件
		校对								物料号		
标记	更改前	更改后	更改人	日期	审核	日期						

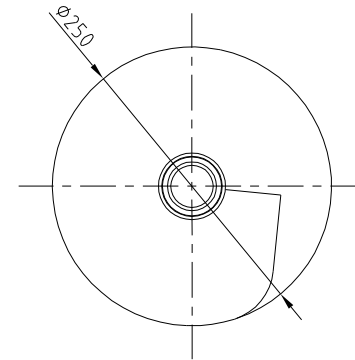
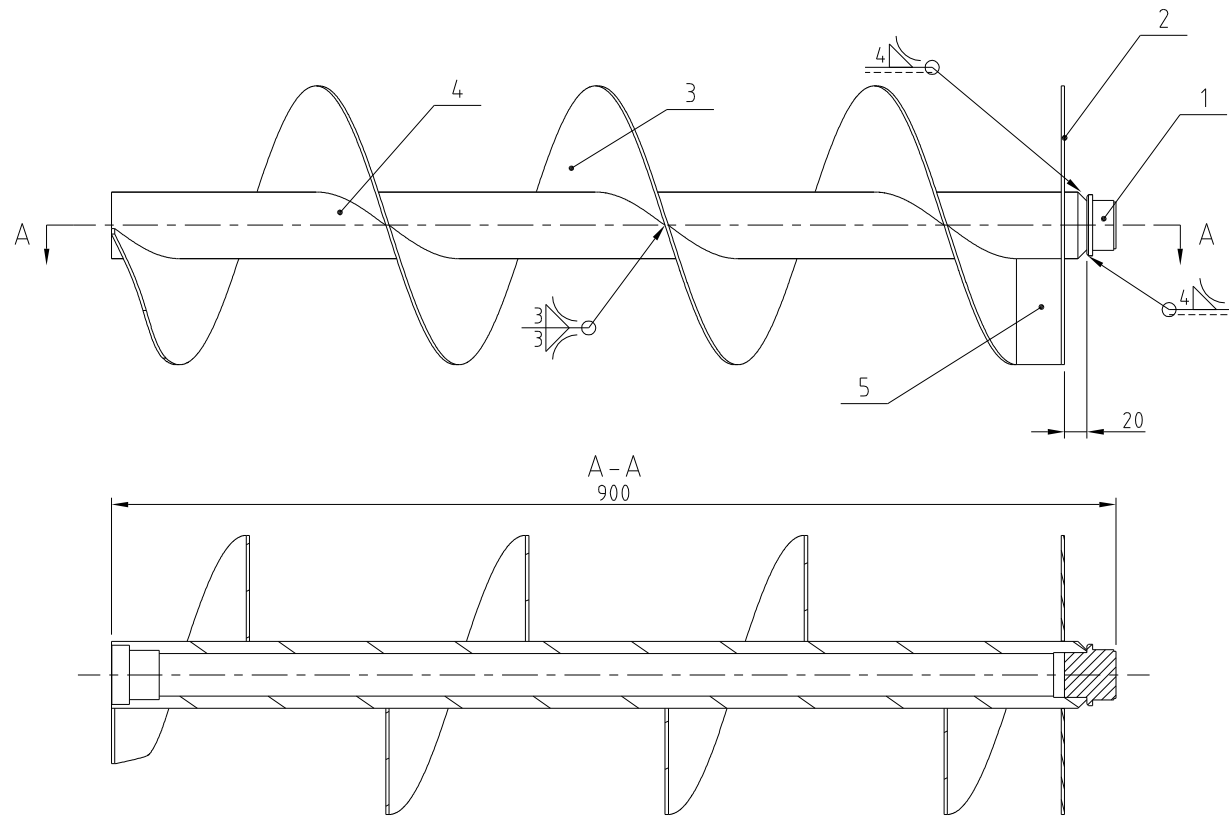




Tech. Req:
 1. Deburring and blunt edges;
 2. The unmarked dimensional tolerance shall meet the GB / t1804-m standard.

5	YW690504.00000	Blind rivet 5-4	SUS202	24	
4	SSM-160U-A-03	Reed switch fixed base welding	SUS304	2	borrow
3	SSM-300U-A-02	Middle cover	SUS201	1	
2	SSM-300U-A-01	Bilateral cover	SUS201	2	
1	YW06000200000	2" stainless steel hinge	SUS201	6	
序号	代号	名称	材质	数量	备注

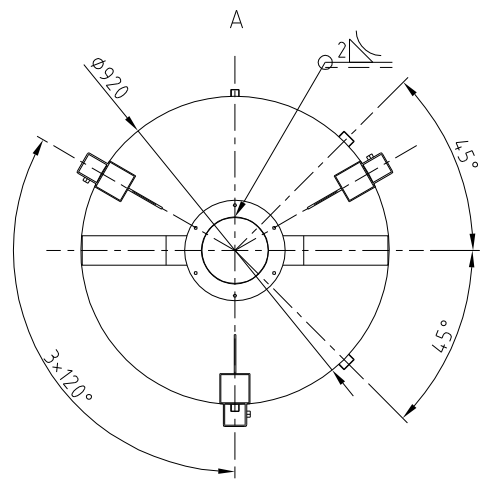
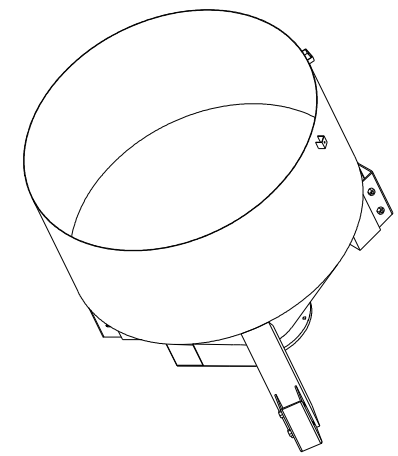
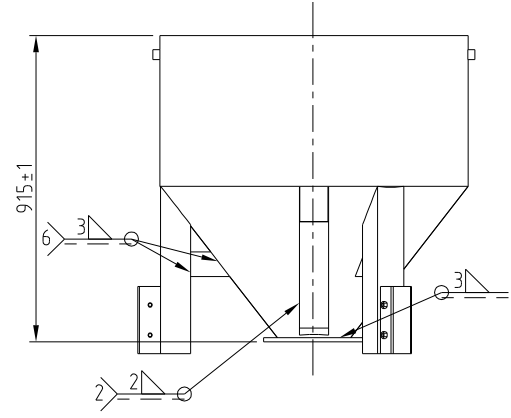
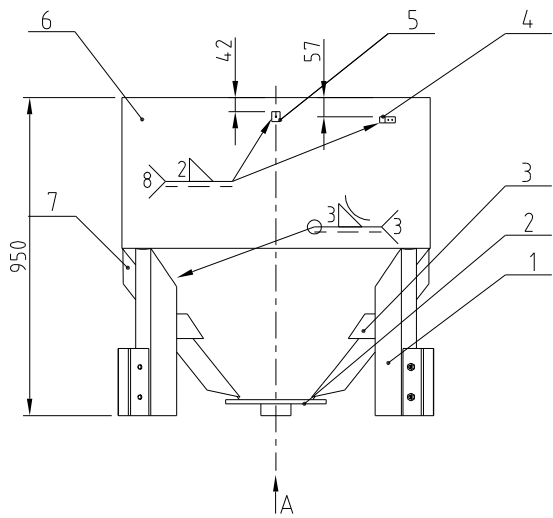
					制图	版号	标题	SSM-300U	图号	SSM-300U-A-ALL	比例	数量	1
					设计	核准	桶盖组合					材质	组件
					校对						表面要求	烤RAL9010	
标记	更改前	更改后	更改人	日期	审核	日期	信易電熱機械股份有限公司 Shini Plastics Technologies, Inc.				物料号		



Tech. Req:
1.The blade and main shaft shall be fully welded
and polished after welding.

5	SSM-300U-B-05	Bulk material plate	SUS304	1	
4	SSM-300U-B-03	Rotary shaft	SUS201	1	
3	SSM-300U-B-02	Screw blade	SUS304	1	
2	SSM-300U-B-01	Fender	SUS304	1	
1	SSM-160U-B-04	Lower shaft coupling	SUS304	1	借用
序号	代 号	名 称	材 质	数 量	备 注

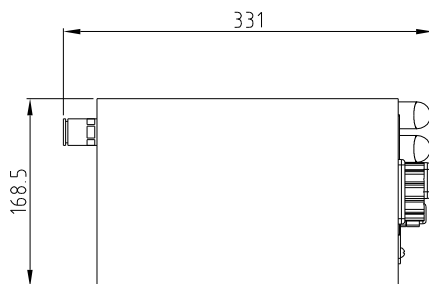
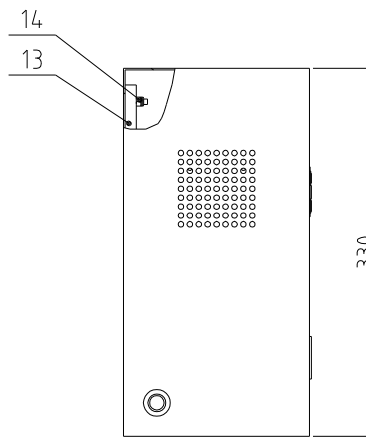
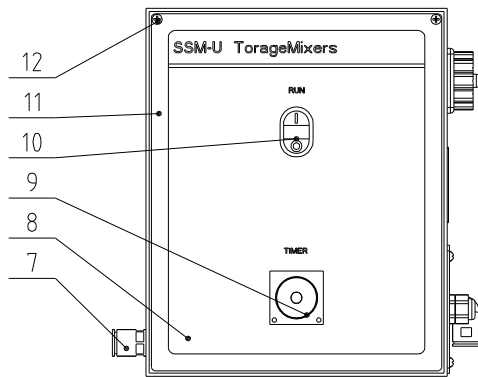
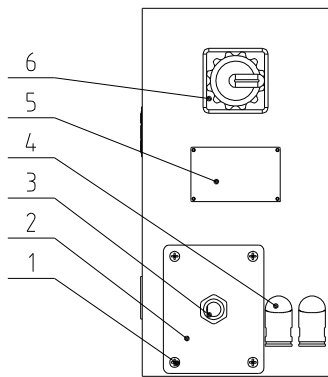
					制图	版号	标题	SSM-300U	图号	SSM-300U-B-ALL	比例	数量	1
					设计	核 准	拌料组合					材质	组件
					校对		信易電熱機械股份有限公司 Shini Plastics Technologies, Inc.				表面要求	抛光	
标记	更改前	更改后	更改人	日期	审核	日期					物料号	BL34030000220	



Tech. Req:
 1. Deburring and blunt edges;
 2. The unmarked dimensional tolerance shall meet the GB / t1804-m standard
 3. Remove the welding slag and make the weld smooth.

7	SSM-300U-C-04	U-type pipe seat	SUS201	2	
6	SSM-300U-C-01	Handle fixed block	SUS201	1	
5	SSM-160U-C-06	Reed switch fixed base 5	SUS201	2	borrow
4	SSM-160U-C-07	Hopper body	SUS304	2	borrow
3	SSM-300U-C-03	Machine foot assembly	SPH5.0	3	
2	SSM-160U-C-04	Machine leg reinforced block	SPH12	1	borrow
1	SSM-300U-C-02	Mat. discharge port base	Assembly	3	
序号	代号	名称	材质	数量	备注

					制图	版号	标题	图号	比例	数量	1
					设计	核准	SSM-300U 桶身组合	SSM-300U-C-ALL		材质	组合件
					校对		信易電熱機械股份有限公司 Shini Plastics Technologies, Inc.	表面要求	RAL7016		
标记	更改前	更改后	更改人	日期	审核	日期		物料号			



Remark:
 (1) Used when pneumatic discharge valve is selected;
 (2) Control BOM parts;

14	YW64.000500000	Hex. nut M5 anti-loose		4	
13	SSM-160U-D-03	Control box bottom plate		1	
12	YW62051000100	Large cross recessed flat head screw JIS1111 M5x10	Assembly	2	
11	SSM-160U-D-02	Control box cover	SPCC1.5	1	
10	YE11222400000	Assembled switch APBB-22N (indicator 24 VACN)	Assembly	1	(2)
9	YE03482400000	Time relay TM48S-AB 24~24.0V	Assembly	1	(2)
8	YR01023002100	Panel SSM-U ver. 230x290mm adhesive req. >65N		1	
7	YE67111000000	Quick pipe hose connector WQG1-P11B/AD15	SPCC1.5	1	
6	YE10021160000	Main power switch TO-2-1/EA/SVB/20A(EATON)	Assembly	4	(2)
5	YP30804900700	Alu. plate nameplate 80x49		1	
4	YE67119040000	Right angle elbow AL16/PG11/C90/BL		2	
3	YE67201500100	Copper nickel plated cable joint LT12-M20x15		1	
2	SSM-160U-E-05	Switch fixed plate	SPCC1.5	1	(1)
	BL50135000020	Wire clamp fixed plate PG13.5 SG-S-01		1	
1	YW62050500000	Large cross recessed flat head screw JIS1111 M5x5		4	
序号	代号	名称	材质	数量	备注

					制图	版号	标题	SSM-160U	图号	SSM-160U-D-ALL	比例	数量	1
					设计	核准	电箱组合					材质	组件
					校对		信易電熱機械股份有限公司 Shini Plastics Technologies, Inc.				表面要求		
标记	更改前	更改后	更改人	日期	审核	日期						物料号	