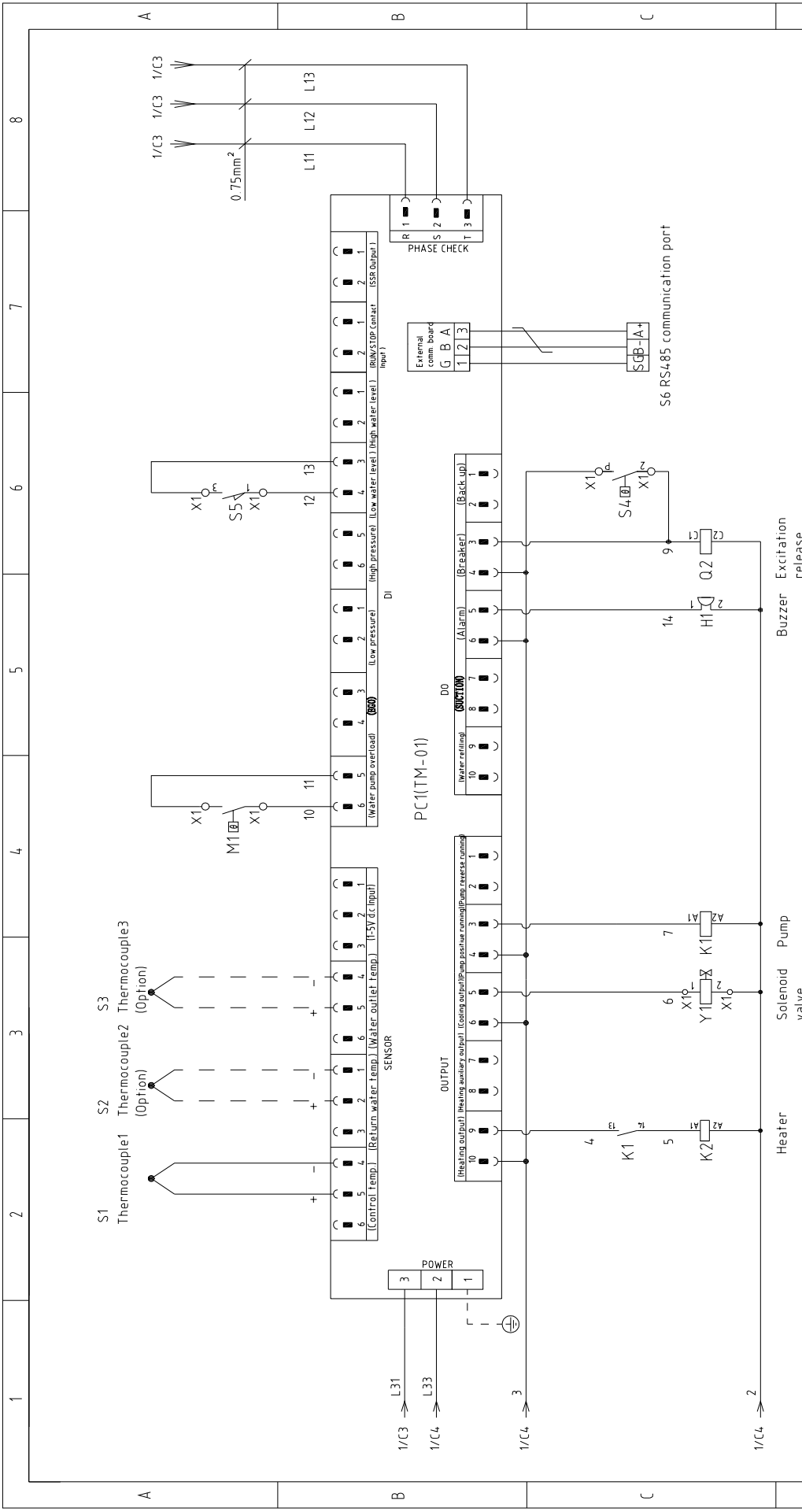


STM-607 版本 Ver.H
 STM-607M 版本 Ver.F

When equipped with magnetic pump P=0.55KW IN=1.7A

D	Title	STM-607	Drawing NO	Page 1
		Main Circuit Diagram	STM-607-CE-230V-K-1	Totally 4 Pages
Mark	Before modification	Modified by	Voltage	230V
	After modification	Modify date	Frequency	50Hz
Date		20180723	8	





STM-607 版本 Ver.H
 STM-607M 版本 Ver.F

Note: M1 is the overheat protection output contact of water pump.

Drawing NO		STM-607-CE-230V-K-2	
Title		STM-607 Control Circuit Diagram	
Scale	Standard	CE	Pages
		Voltage	230V
		Frequency	50HZ
Page	2	Totally	4

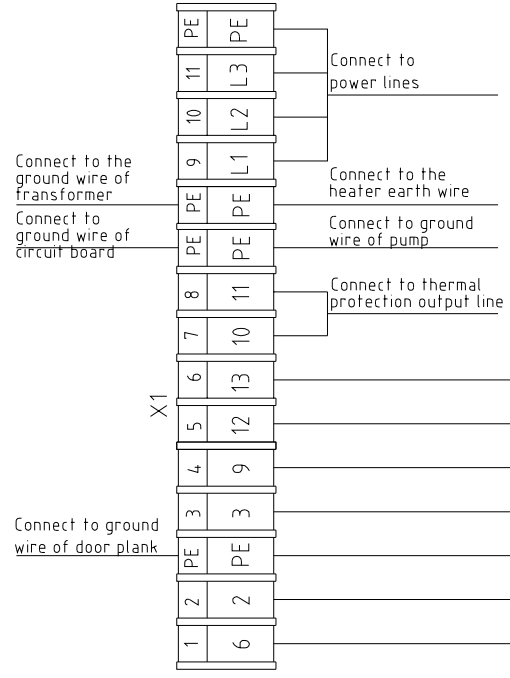
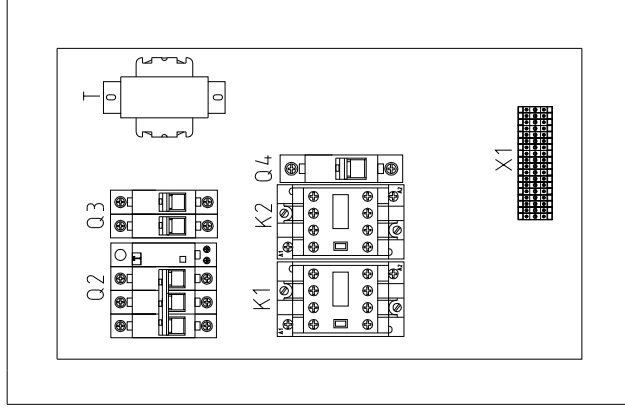
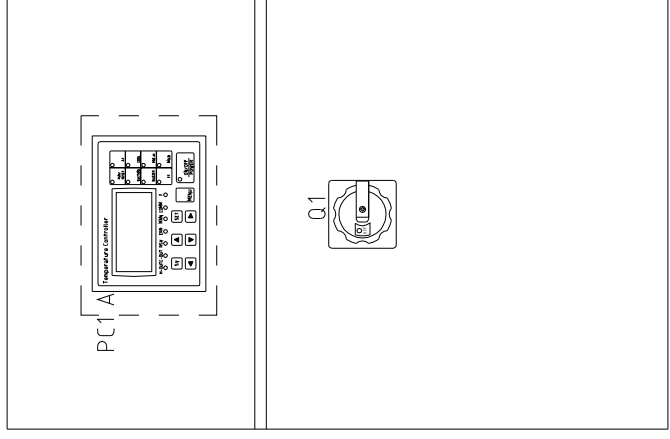


Version	K
Approved by	
Date	20180723

Modified by	
Modify date	
Checked by	
Proofread by	
Designer	
Drawer	

1 2 3 4 5 6 7 8

A B C



Solenoid Overheat Micro valve protector switch

STM-607	版本 Ver.H
STM-607M	版本 Ver.F

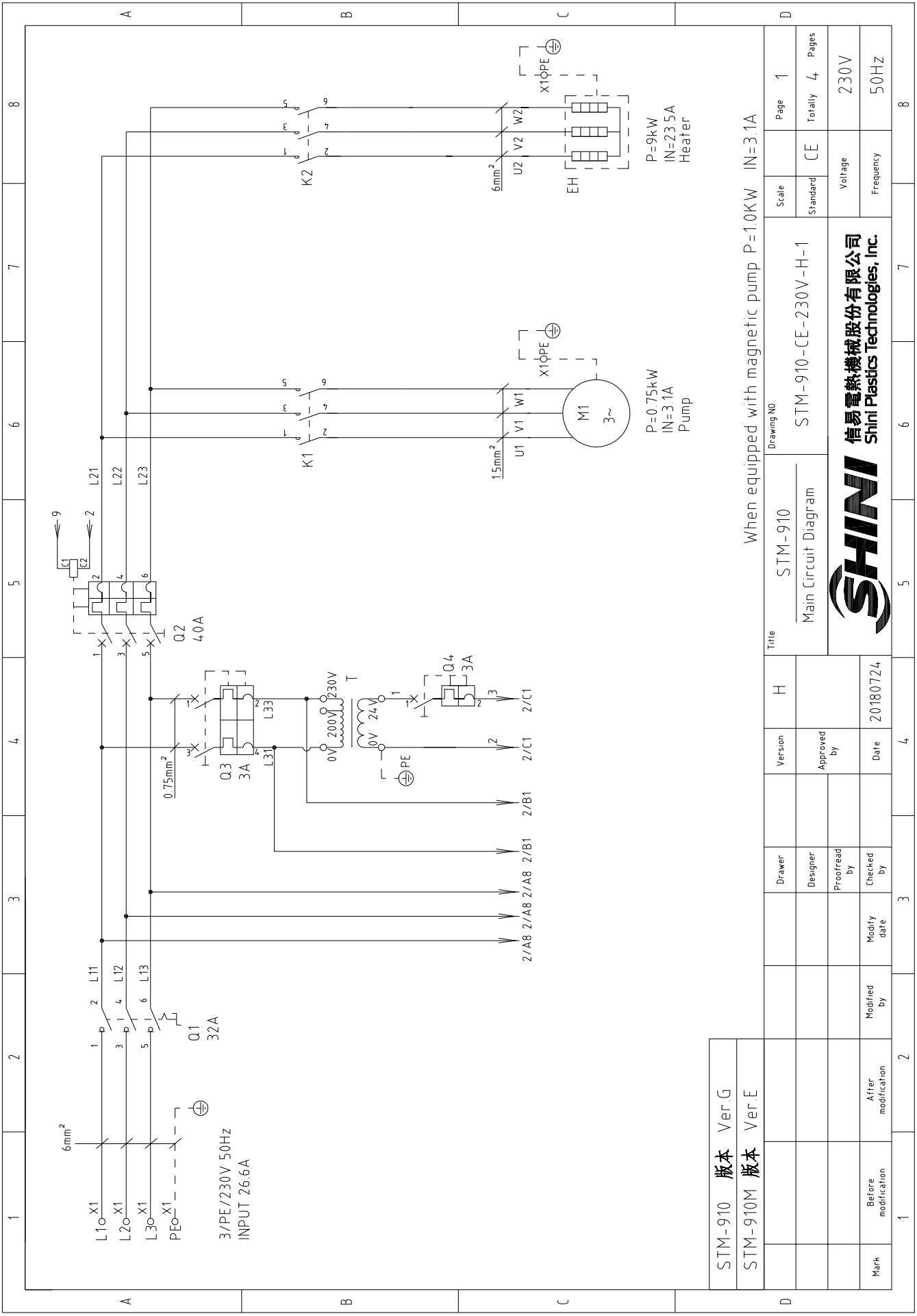
Technical requirements: (1) Pump and pipe heater should be directly connected to the output terminals of contactor and thermal overload relay.

D	Drawer		Version		Title	STM-607	Drawing NO	Scale	Page	3
	Designer		Approved by		Electrical Components Layout	STM-607-CE-230V-K-3	Standard	CE	Totally	4
	Proofread by		Date	20180723				Voltage	230V	
Mark	Before modification	Modified by	Modified date					Frequency	50HZ	
										8



1	2		3	4	5	6	7	8
NO.	Symbol	Name	Manufacturer	Type	Specification	Number	Material number	Remark
1	Q1	Main power switch	EATON	P1-25/EA/SVB	25A	1	YE10125250000	
2	Q2	Circuit breakers	TECO	BM-63C	25A	1	YE40302503000	
3		Excitation release	TECO	MX	24VAC	1	YE40024000000	A
4	Q3	Circuit breakers	TECO	BM-63C/2003S 2P	3A	1	YE40200203000	
5	Q4	Circuit breakers	TECO	BM-63C/1003S 1P	3A	1	YE40100203000	
6	K1	Contactors	SIEMENS	3RT16015-1AB01	24VAC	1	YE00601502500	
7	K2	Contactors	SIEMENS	3RT16026-1AC20	24VAC	1	YE00602602600	
8	T	Transformer	JIUXIN	N=230V/200V OUT=24V	80VA	1	YE70023005200	
9	S1	Thermocouple	SHINI	----	K	1	----	(1)
10	S2 S3	Thermocouple	SHINI	----	K	2	----	(1)(2)
11	S4	Overheat protector	----	----	----	1	----	(1)
12	S5	Limit switch	RENEW	----	250V 5(4)	1	----	(1)
13	S6	Communication interface board RS-485 (double Dsub-9pin connector)	YUYUN	----	PCS	1	YE90048501200	
14		Shell RS485(SAL-700G-A-1910)	BINCHEG	----	PCS	1	YR40048500000	
15	PC1 A	Circuit board	YUYUN	TM-01 (含通讯)	180~430V 50/60Hz	1	YE81012200300	
16	X1	Terminal board	HONEYWELL	SK2 5	----	8	YE60002503200	
17		Terminal board	HONEYWELL	SK2 SPE	----	2	YE60002503400	
18		Terminal board	HONEYWELL	SK4	----	3	YE60000403200	
19		Terminal board	HONEYWELL	GK5PE	----	2	YE60000403500	
20	M1	Motor	SHINI	TP-55	230V 50Hz 0.55kW	1	----	(1)
21	M1	Motor	SHINI	MP-55	230V 50Hz 0.55kW	1	----	(1)(3)
22	EH	Heater	SHINI	6kW	230V 50Hz	1	----	(1)
23	H1	Buzzer	JINGKANG	PK-35A	24VAC/DC	1	YE84003500600	
24	Y1	Solenoid valve	----	----	24VAC	1	----	(1)
25		Terminal fittings E/GKseries(honeywell)	HONEYWELL	----	PCS	6	YE60000003900	
Notes: (1)Means it's not the material inside the control box (2)Means equipped with function of displaying water outlet and return water temperature. (3)Means equipped with magnetic pump								
STM-607 版本			Ver.F	Version	Title		D	
			Designer	K	STM-607	Scale		Page
			Proofread by		Electrical Components List	Standard	CE	Totally 4 Pages
			Checked by	20180723	STM-607-CE-230V-K-4		Voltage	230V
Mark Before modification			Modified by	Modify date	Frequency		50HZ	
1	2	3	4	5	6	7	8	



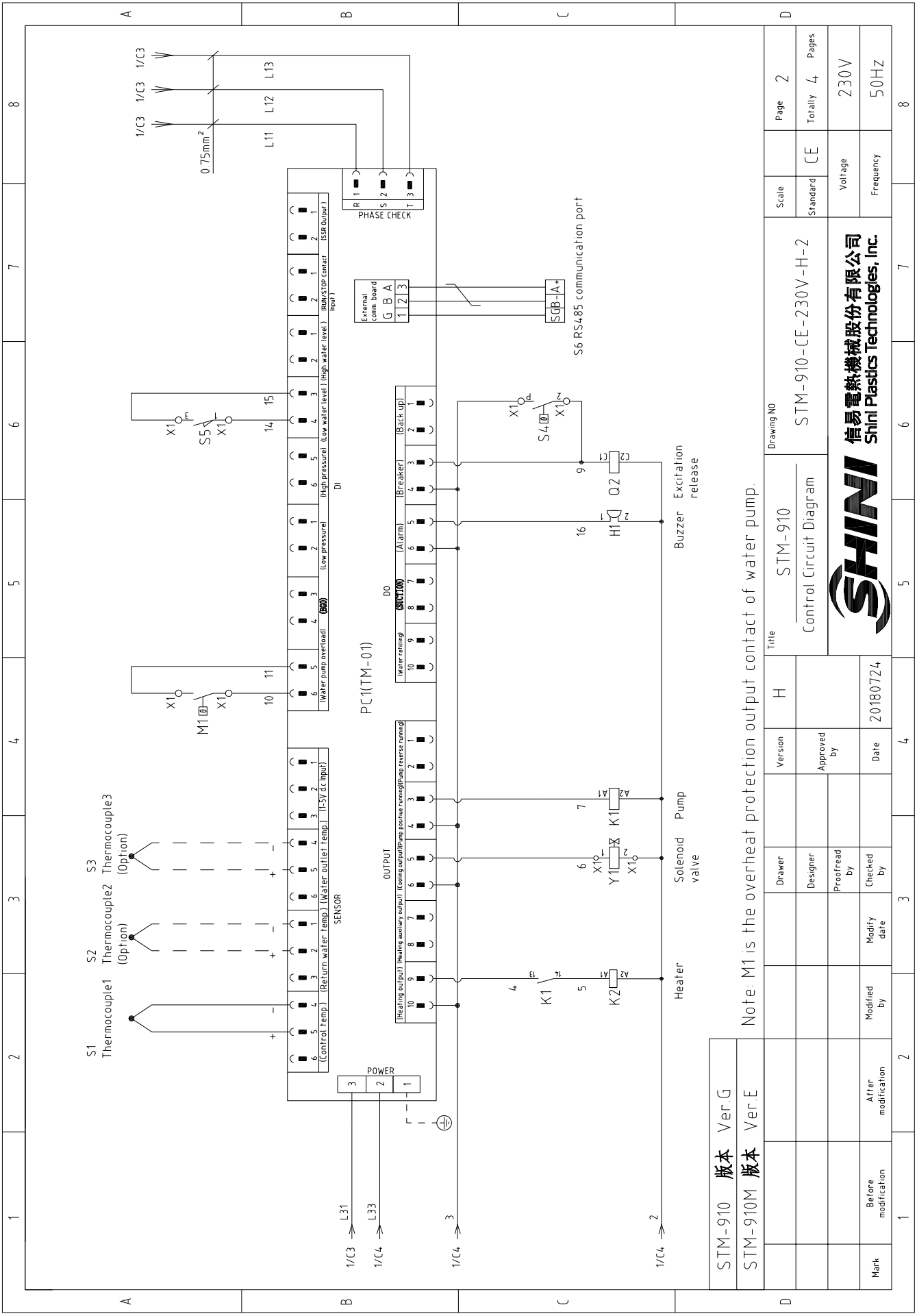


STM-910 版本 Ver.G
STM-910M 版本 Ver.E

When equipped with magnetic pump P=1.0KW IN=3.1A

Title		Drawing NO		Page	1
STM-910		STM-910-CE-230V-H-1		Standard	CE
Main Circuit Diagram				Totally	4 Pages
Version		H		Voltage	
Approved by				Frequency	
Date		20180724		230V	
Modified by				50Hz	
Checked by					
Modify date					
Designer					
Proofread by					
Drawer					
Date					
Checked by					
Modify date					
After modification					
Before modification					
Mark					





STM-910	版本	Ver.G
STM-910M	版本	Ver.E

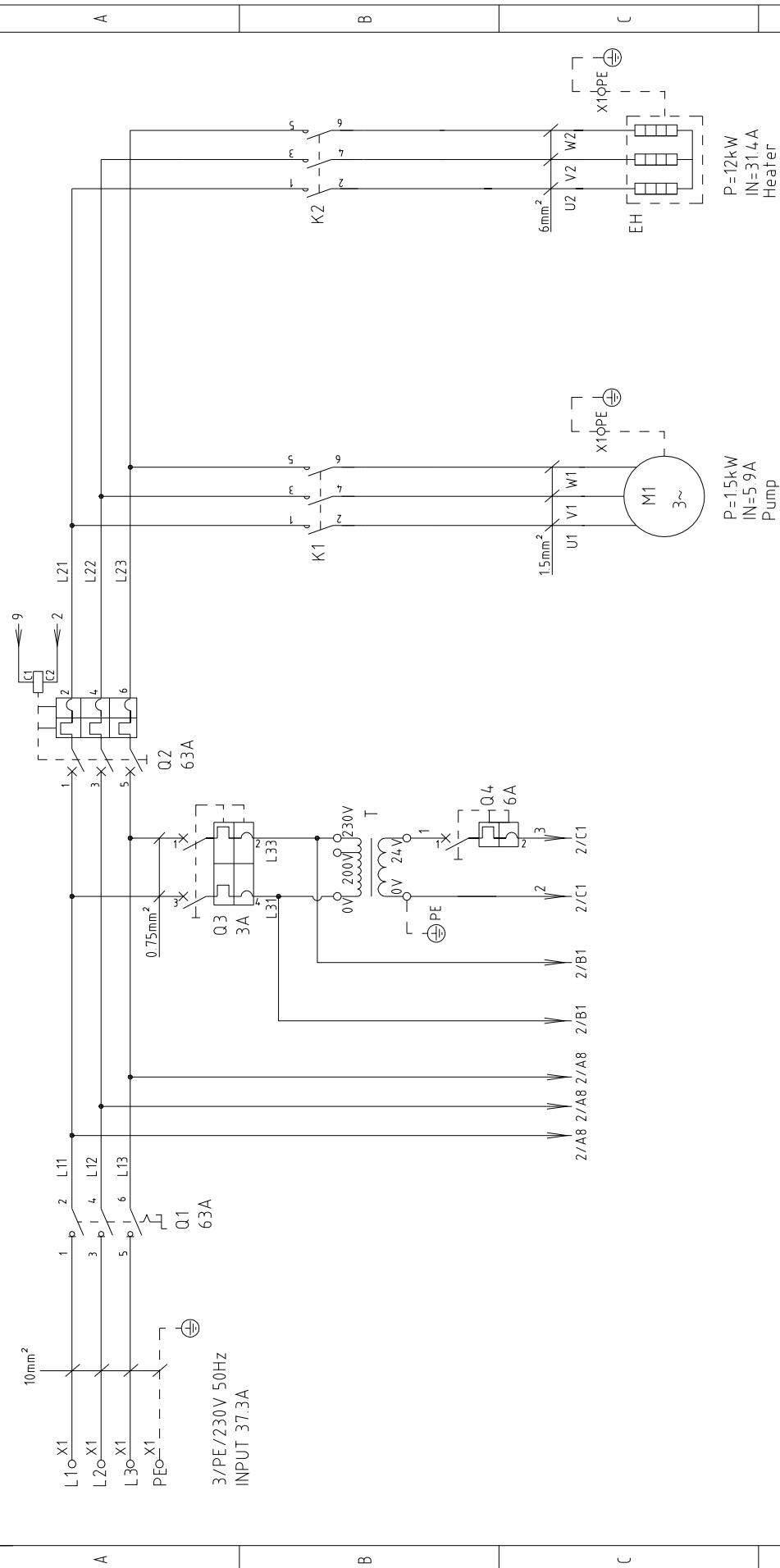
Note: M1 is the overheat protection output contact of water pump.

Title		Drawing NO	
STM-910		STM-910-CE-230V-H-2	
Version		Scale	
H		Standard	
Approved by		CE	
Date		Voltage	
20180724		230V	
Checked by		Frequency	
Modified by		50HZ	
Modify date		Page	
2		2	
3		Totally	
4		4	
5		Pages	
6		8	
7		8	
8		8	



1		2		3		4		5		6		7		8	
NO.	Symbol	Name	Manufacturer	Type	Specification	Number	Material number	Remark							
1	Q1	Main power switch	EATON	P1-32/EA/SVB	32A	1	YE10323200000								
2	Q2	Circuit breakers	TECO	BM-63C/304.0S	4.0A	1	YE40304.003000								
3	Q3	Excitation release	CHINT	MX	24VAC	1	YE40024.000000	A							
4	Q4	Circuit breakers	TECO	BM-63C/2003S 2P	3A	1	YE40200203000								
5	Q4	Circuit breakers	TECO	BM-63C/1003S 1P	3A	1	YE40100203000								
6	K1	Contactors	SIEMENS	3RT6015-1AB01	24VAC	1	YE00601502500								
7	K2	Contactors	SIEMENS	3RT6027-1AC20	24VAC	1	YE00602702600								
8	T	Transformer	JIUXIN	IN=230V/200V OUT=24V	80VA	1	YE70023005200								
9	S1	Thermocouple	SHINI	----	K	1	----	(1)							
10	S2 S3	Thermocouple	SHINI	----	K	2	----	(1)(2)							
11	S4	Overheat protector	----	----	----	1	----	(1)							
12	S5	Limit switch	RENEW	----	250V 5(4)	1	----	(1)							
13	S6	Communication interface board RS-485 (doub Dsub-9pin connector)	YUYUN	----	PCS	1	YE9004.8501200								
14		Shell RS485(SAL-700G-A-190)	BINCHEG	----	PCS	1	YR4004.8500000								
15	PC1 A	Circuit board	YUYUN	TM-01 (含通讯)	180~430V 50/60Hz	1	YE81012200300								
16	X1	Terminal board	HONEYWELL	SK2 5	----	8	YE60002503200								
17		Terminal board	HONEYWELL	SK2 SPE	----	2	YE60002503400								
18		Terminal board	HONEYWELL	GK6	----	3	YE60000603200								
19		Terminal board	HONEYWELL	GK6PE	----	2	YE60000603500								
20	M1	Motor	SHINI	TP-75	230V 50Hz 0.75kW	1	----	(1)							
21	M1	Motor	SHINI	MP-100	230V 50Hz 1.0kW	1	----	(1)(3)							
22	EH	Heater	SHINI	----	230V 50Hz 9kW	1	----	(1)							
23	H1	Buzzer	JINGKANG	PK-35A	24VAC/DC	1	YE84003500600								
24	Y1	Solenoid valve	----	----	24VAC	1	----	(1)							
25		Terminal fittings E/GKseries(honeywell)	HONEYWELL	----	PCS	6	YE60000003900								
STM-910 版本		Ver.G	STM-910M 版本	Ver.E	Notes: (1)Means it's not the material inside the control box (2)Means equipped with function of displaying water outlet and return water temperature. (3)Means equipped with magnetic pump										
		Drawer		Designer	Drawing NO										
		Designer		Approved by	Title		Scale		Page		Page		Page		
		Proofread by			STM-910		Standard		4		4		4		
		Checked by		Date	Electrical Components List		CE		Voltage		Frequency		Pages		
Mark		Before modification	Modified by	Modify date	20180724		STM-910-CE-230V-H-4		230V		50HZ		Totally 4		
1		2	3	4	5		6		7		8		8		





P=15kW
IN=5.9A
Pump

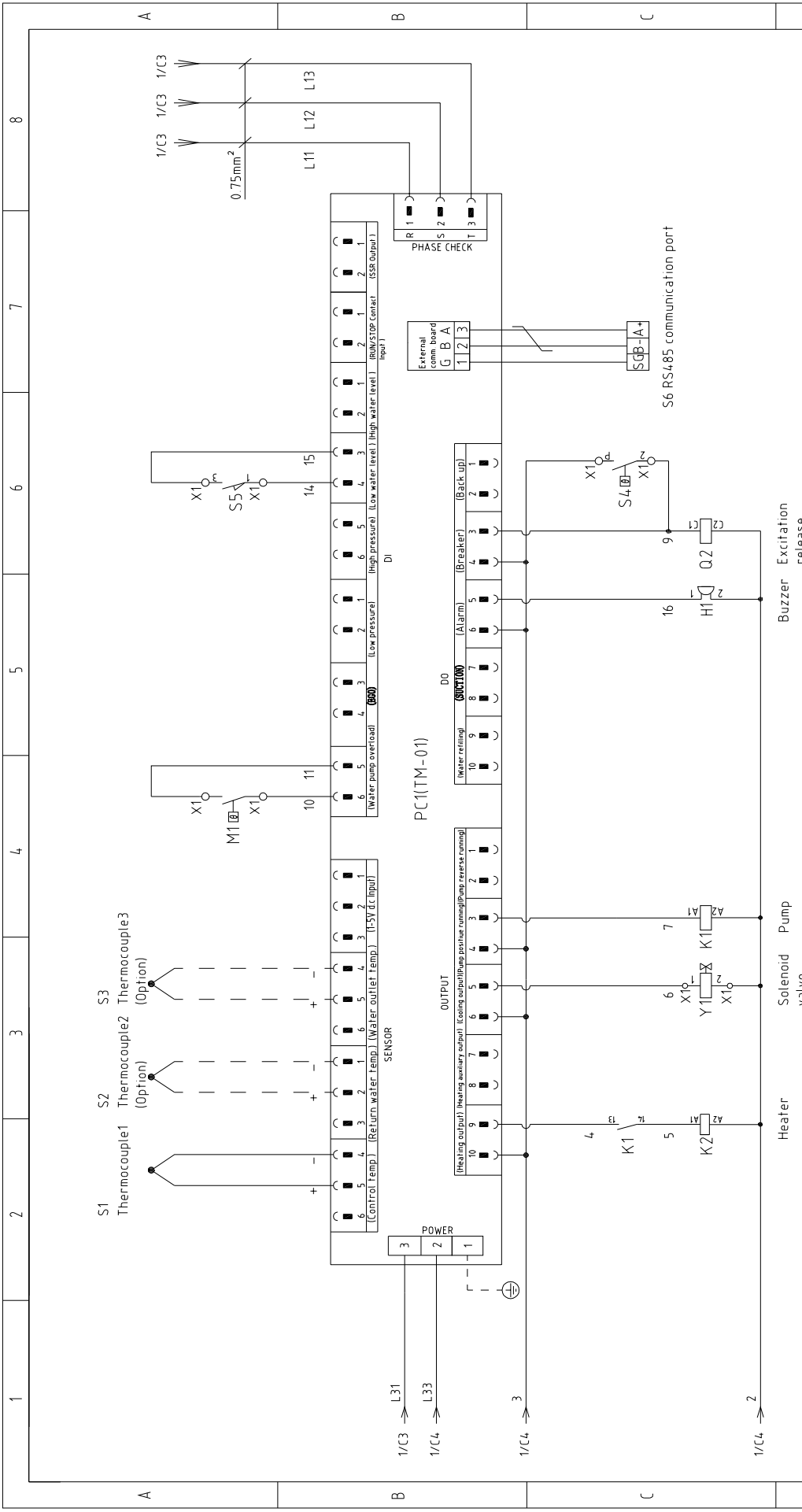
P=12kW
IN=31.4A
Heater

STM-1220	版本	Ver.F
STM-1220M	版本	Ver.E

When equipped with magnetic pump P=1.0KW IN=3.1A

Title		Drawing NO	
STM-1220		STM-1220-CE-230V-G-1	
Version		Scale	
G		Standard	
Approved by		CE	
Date		Voltage	
20180725		230V	
Modified by		Frequency	
After modification		50HZ	
Mark		Page	
Before modification		1	
Modify date		Totally	
3		5	
4		Pages	
5		8	





STM-1220M 版本 Ver.E
 STM-1220 版本 Ver.F

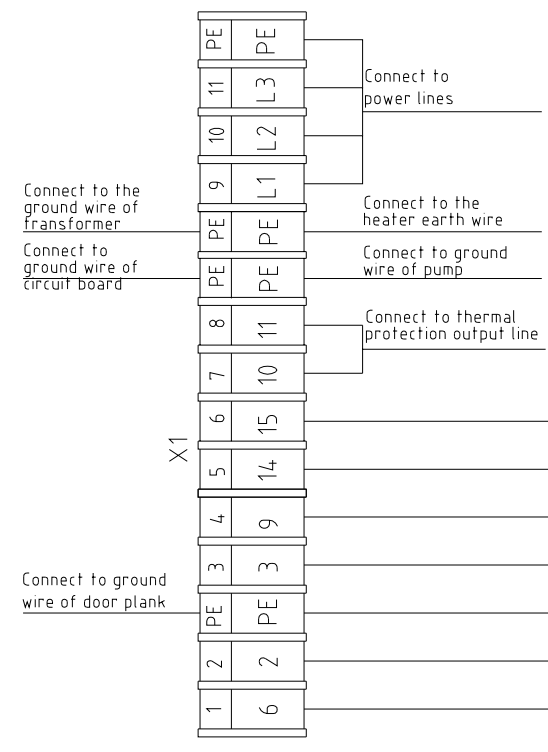
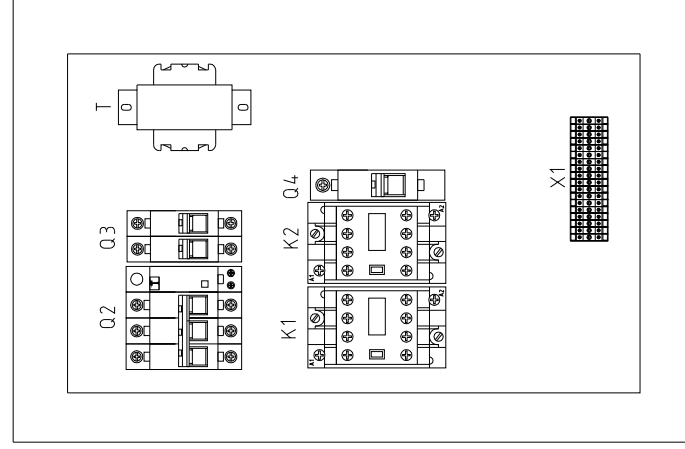
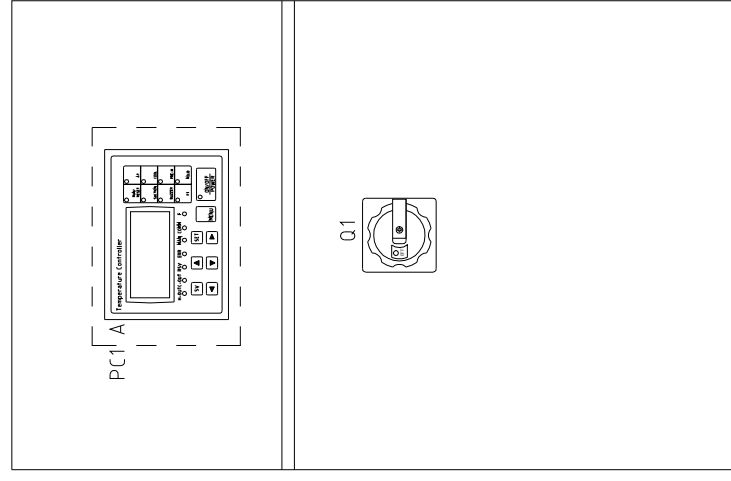
Note: M1 is the overheat protection output contact of water pump.

Drawing NO		STM-1220		Page 2	
Title		Control Circuit Diagram		Standard CE	
Version		G		Totally 5 Pages	
Designer		Approved by		Voltage 230V	
Proofread by		Date 20180725		Frequency 50HZ	
Modified by		Modify date		Scale	
Mark Before modification		After modification		Standard	
1		2		Scale	
3		4		Voltage	
5		6		Frequency	
7		8		Standard	



1 2 3 4 5 6 7 8

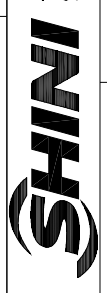
A B C



Solenoid Overheat Micro valve protector switch

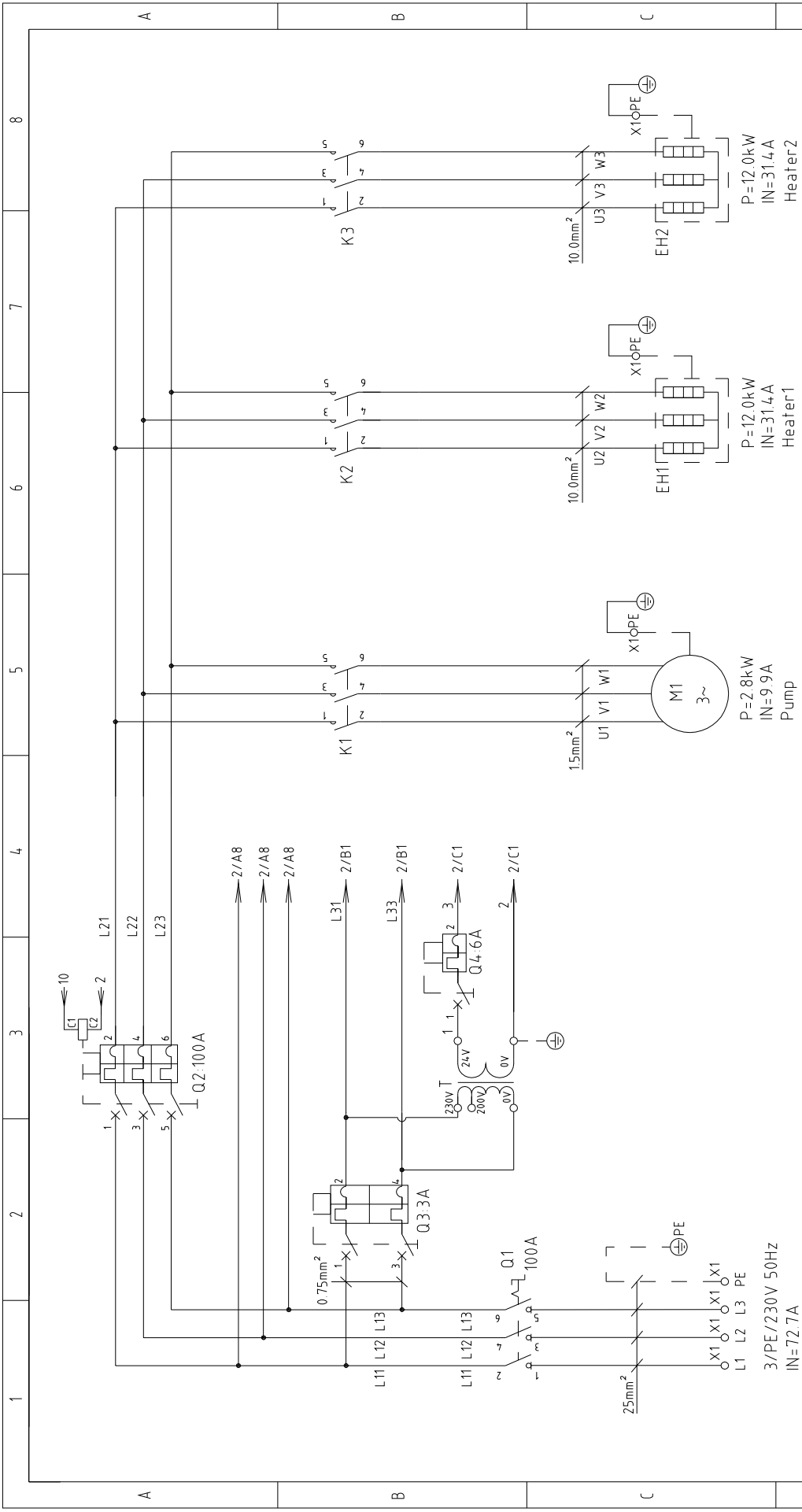
STM-1220	版本	Ver.F
STM-1220M	版本	Ver.E

Technical requirements: (1) Pump and pipe heater should be directly connected to the output terminals of contactor and thermal overload relay.

D	Drawer		Version	G	Title	STM-1220	Drawing NO	Scale	Page	3	
	Designer		Approved by		Electrical Components Layout		STM-1220-CE-230V-G-3	Standard	CE	Totally	5
Mark	Before modification		Modified by		Date	20180725		Voltage	230V		
	After modification		Modify date					Frequency	50HZ		
 信易电热机械股份有限公司 Shini Plastics Technologies, Inc.											
1	2	3	4	5	6	7	8				

1	2		3	4	5	6	7	8
NO.	Symbol	Name	Manufacturer	Type	Specification	Number	Material number	Remark
1	Q1	Main power switch	EATON	P3-63/EA/SVB	63A	1	YE10636300000	
2	Q2	Circuit breakers	TECO	BM-63C/3063S	63A	1	YE40306303000	
3		Excitation release	CHINT	MX	24VAC	1	YE40024000000	A
4	Q3	Circuit breakers	TECO	BM-63C/2003S 2P	3A	1	YE40200203000	
5	Q4	Circuit breakers	TECO	BM-63C/1003S 1P	3A	1	YE40100203000	
6	K1	Contactors	SIEMENS	3RT16016-1AB01	24VAC	1	YE00601602500	
7	K2	Contactors	SIEMENS	3RT5035-1AC20	24VAC	1	YE00503502600	
8	T	Transformer	JIUXIN	IN=230V/200V OUT=24V	120VA	1	YE70023004500	
9	S1	Thermocouple	SHINI	----	K	1	----	(1)
10	S2 S3	Thermocouple	SHINI	----	K	2	----	(1)(2)
11	S4	Overheat protector	----	----	----	1	----	(1)
12	S5	Limit switch	RENEW	----	250V 5(4)	1	----	(1)
13	S6	Communication interface board RS-485 (double Dsub-9pin connector)	YUYUN	----	PCS	1	YE90048501200	
14		Shell RS485(SAL-700G-A-1910)	BINCHEG	----	PCS	1	YR40048500000	
15	PC1 A	Circuit board	YUYUN	TM-01 (含通讯)	180~430V 50/60Hz	1	YE81012200300	
16	X1	Terminal board	HONEYWELL	SK2 5	----	8	YE60002503200	
17		Terminal board	HONEYWELL	SK2 SPE	----	2	YE60002503400	
18		Terminal board	HONEYWELL	GK6PE	----	1	YE60000603500	
19		Terminal board	HONEYWELL	GK10	----	3	YE60001003200	C
20		Terminal board	HONEYWELL	GK10PE	----	1	YE60001003500	
21	M1	Motor	SHINI	TP-150	230V 50Hz 1.5kW	1	----	(1)
22	M1	Motor	SHINI	MP-100	230V 50Hz 1.0kW	1	----	(1)(3)
23	EH	Heater	SHINI	12kW	230V 50Hz	1	----	(1)
24	H1	Buzzer	JINGKANG	PK-35A	24VAC/DC	1	YE84003500600	
25	Y1	Solenoid valve	----	----	24VAC	1	----	(1)
STM-1220 版本 Ver.F			STM-1220M 版本 Ver.E		Notes: (1)Means it's not the material inside the control box (2)Means equipped with function of displaying water outlet and return water temperature. (3)Means equipped with magnetic pump			
D				Version	G	Title		Drawing NO
				Approved by	STM-1220		STM-1220-CE-230V-G-4	
				Designer	Electrical Components list 1		Scale	Page
				Proofread by			Standard	Totally
				Checked by			CE	5
				Modify date			Voltage	Pages
Mark				Before modification			Frequency	
				After modification			230V	50HZ
1	2		3	4	5	6	7	8



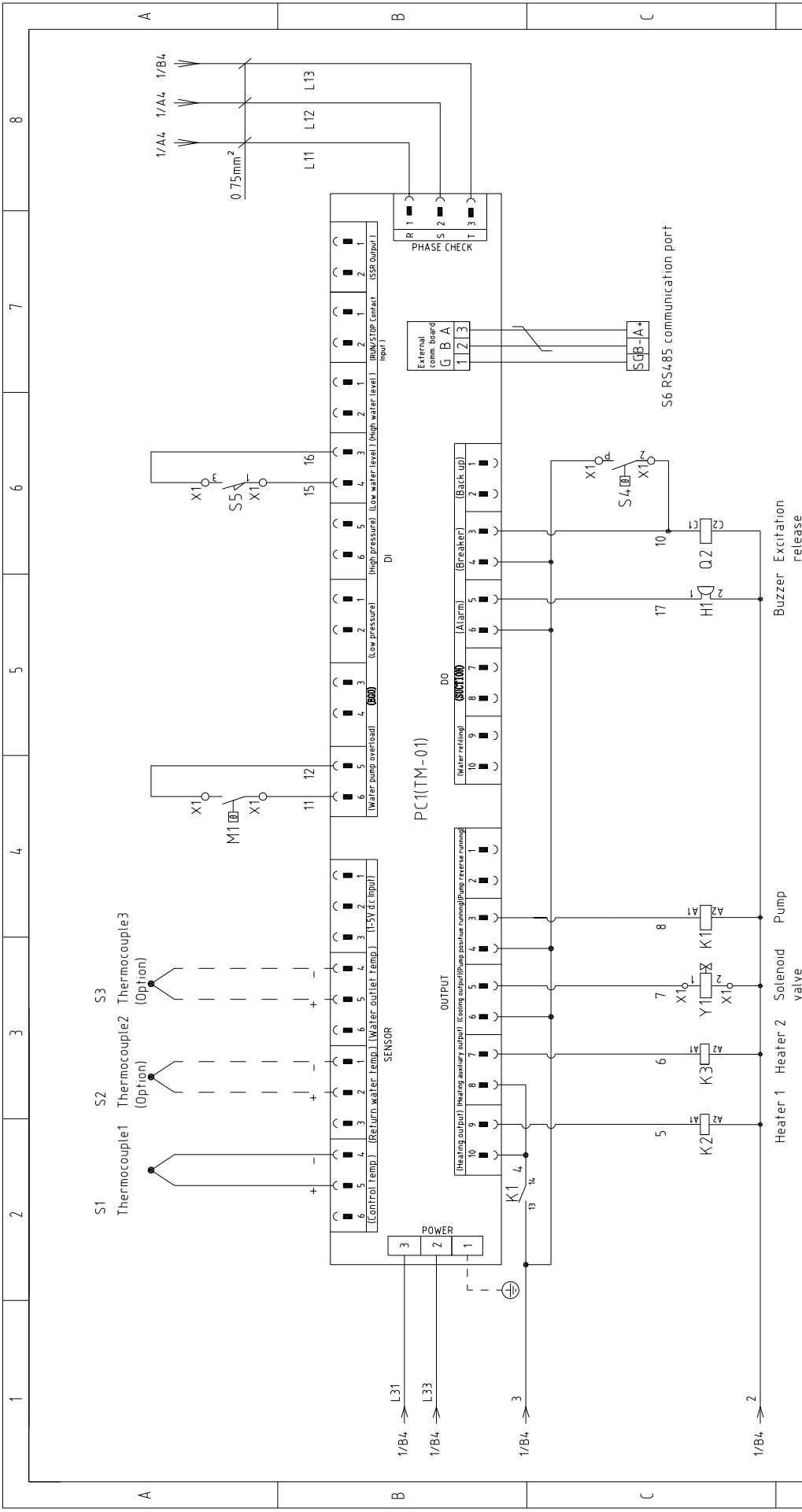


STM-2440 版本 Ver.E
 STM-2440M 版本 Ver.E

When equipped with magnetic pump P=2.8KW IN=11.3A

Title		Drawing NO		Scale	Page	1
Version		Main Circuit Diagram		Standard	Totally	5
F		STM-2440		CE	Pages	230V
Designer	Approved by	STM-2440-CE-230V-F-1		Voltage	Frequency	50HZ
Proofread by	Date	20180725				
Checked by	Modify date					
Modified by	After modification					
Mark	Before modification					



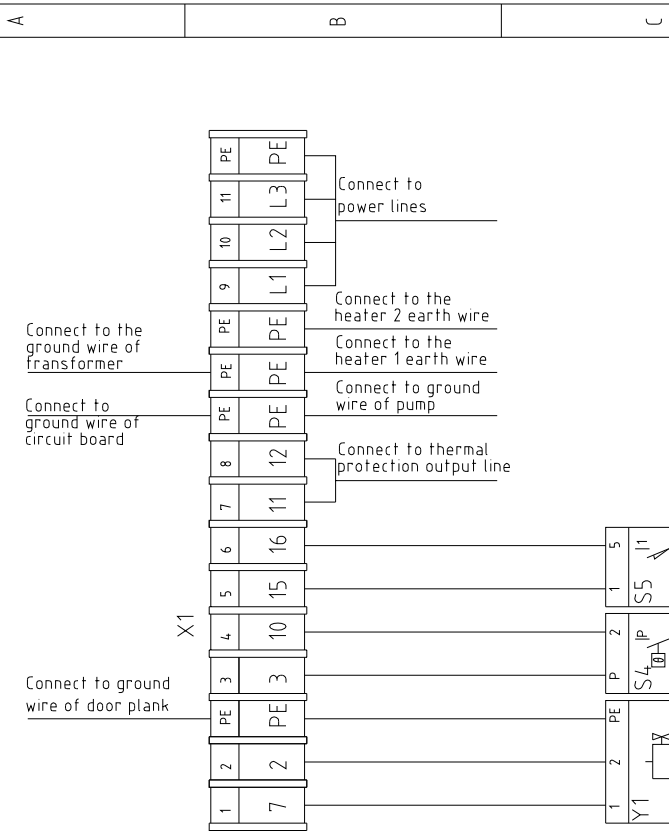


STM-2440 版本 Ver.E
 STM-2440M 版本 Ver.E

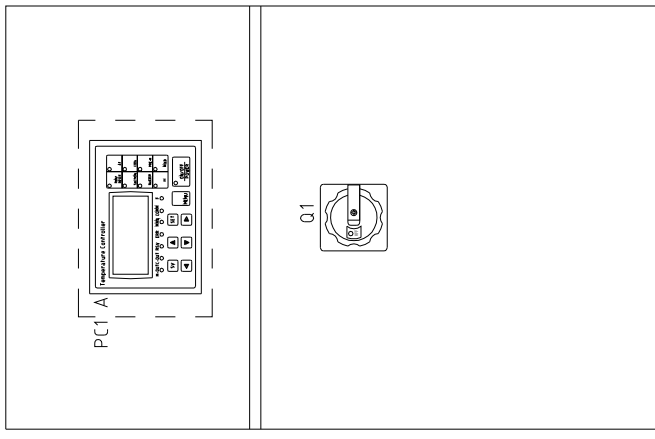
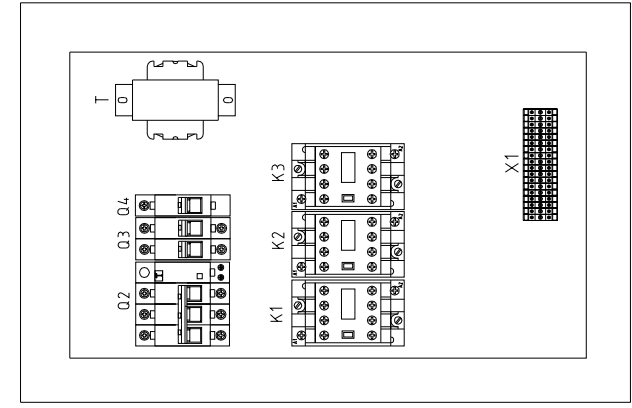
Note: M1 is the overheat protection output contact of water pump.

Title		Drawing NO	
STM-2440	Control Circuit Diagram	STM-2440-CE-230V-F-2	
Version	Approved by	Scale	Page
F		CE	2
Designer	Proofread by	Standard	Totally
		Voltage	5
Modified by	Checked by	Frequency	Pages
		230V	5
Before modification	Modify date	Frequency	50HZ
	20180725		8





Solenoid Overheat Micro valve protector switch



STM-2440	版本	Ver.E
STM-2440M	版本	Ver.E

Technical requirements: (1) Pump and pipe heater should be directly connected to the output terminals of contactor and thermal overload relay.

D	Title	STM-2440	Drawing NO	STM-2440-CE-230V-F-3	Scale	Page	3
	Electrical Components Layout		Standard	CE	Totally	5	Pages
Mark	Before modification	Modified by	Modify date	20180725	Voltage	230V	
	After modification	Checked by	Date	20180725	Frequency	50HZ	
SHINI			信易电热机械股份有限公司 Shini Plastics Technologies, Inc.		8		

1		2		3		4		5		6		7		8		
NO.	Symbol	Name	Manufacturer	Type	Specification	Number	Material number	Remark								
1	Q1	Main power switch	EATON	P3-100/EA/SVB	100A	1	YE100100000000									
2	Q2	Circuit breakers	TECO	BM-100D/3100S	100A	1	YE40310003000									
3		Excitation release	TECO	MX	24VAC	1	YE40024000000									
4	Q3	Circuit breakers	TECO	BM-63C/2003S 2P	3A	1	YE40200203000									
5	Q4	Circuit breakers	TECO	BM-63C/1006S 1P	6A	1	YE40100600100									
6	K1	Contactors	SIEMENS	3RT6017-1AB01	24VAC	1	YE00601702500	STM-2440								
7	K1	Contactors	SIEMENS	3RT6018-1AB01	24VAC	1	YE00601802500	STM-2440M								
8	K2 K3	Contactors	SIEMENS	3RT5035-1AC20	24VAC	2	YE00503502600									
9	T	Transformer	JIUXIN	IN=230V/200V OUT=24VAC	180VA	1	YE70023005400									
10	S1	Thermocouple	SHINI	----	K	1	----	(1)								
11	S2 S3	Thermocouple	SHINI	----	K	2	----	(1)(2)								
12	S4	Overheat protector	----	----	----	1	----	(1)								
13	S5	Limit switch	RENEW	----	250V 5(4)	1	----	(1)								
14	S6	Communication interface board RS-485 (double Dsub-9pin connector)	YUYUN	----	PCS	1	YE90048501200									
15		Shell RS485(SAL-700G-A-19)0	BINGCHENG	----	PCS	1	YR40048500000									
16	PC1A	Circuit board	YUYUN	TM-01 (含通讯)	180~4.30V 50/60Hz	1	YE81012200300									
17	X1	Terminal board	HONEYWELL	SK2.5	----	8	YE60002503200									
18		Terminal board	HONEYWELL	GK2.5PE	----	2	YE60002503400									
19		Terminal board	HONEYWELL	GK10PE	----	2	YE60001003500									
20		Terminal board	HONEYWELL	GK35	----	3	YE60003503200									
21		Terminal board	HONEYWELL	GK35PE	----	1	YE60003503500									
22	M1	Motor	SHINI	TP-280	230V 50Hz 2.8kW	1	----	(1)								
23	M1	Motor	SHINI	MP-280	230V 50Hz 2.8kW	1	----	(1)(3)								
24	EHT EH2	Heater	SHINI	----	230V 50Hz 12kW	2	----	(1)								
25	H1	Buzzer	JINGKANG	PK-35A	24VAC/DC	1	YE84003500600									
STM-2440 版本		Ver E	STM-2440M 版本	Ver E	Notes: (1)Means it's not the material inside the control box (2)Means equipped with function of displaying water outlet and return water temperature. (3)Means equipped with magnetic pump											
		Drawer		Version	Title		Drawing NO									
		Designer		F	STM-2440		STM-2440-CE-230V-F-4		Scale	Page						
		Proofread by		Approved by	Electrical Components list 1		CE		Standard	Totally						
		Checked by		Date	20180725		Voltage		Frequency							
Mark	Before modification	Modified by	Modify date													
	After modification															



