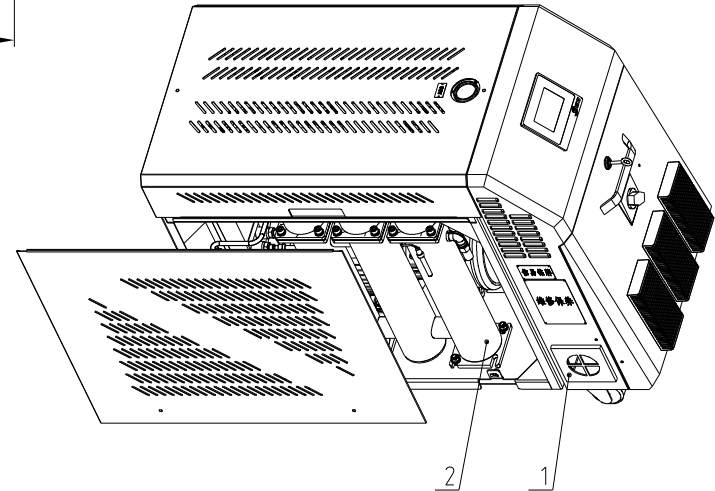
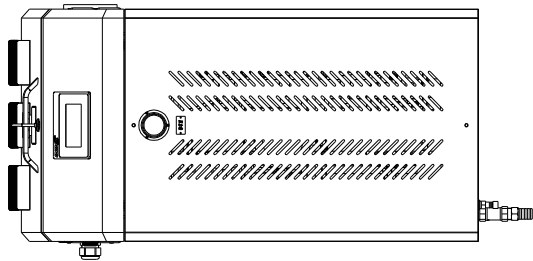
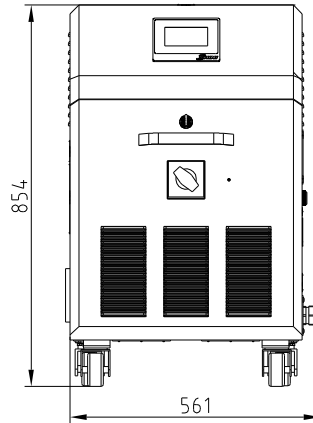
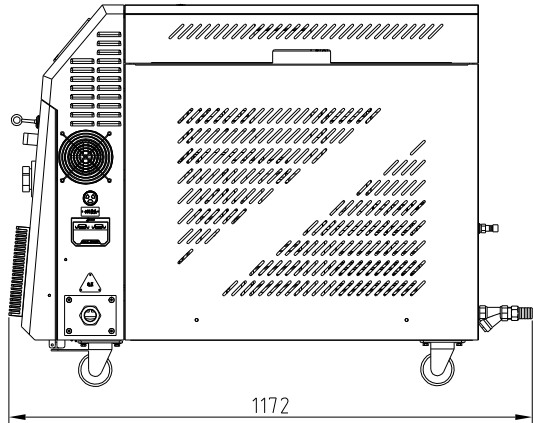
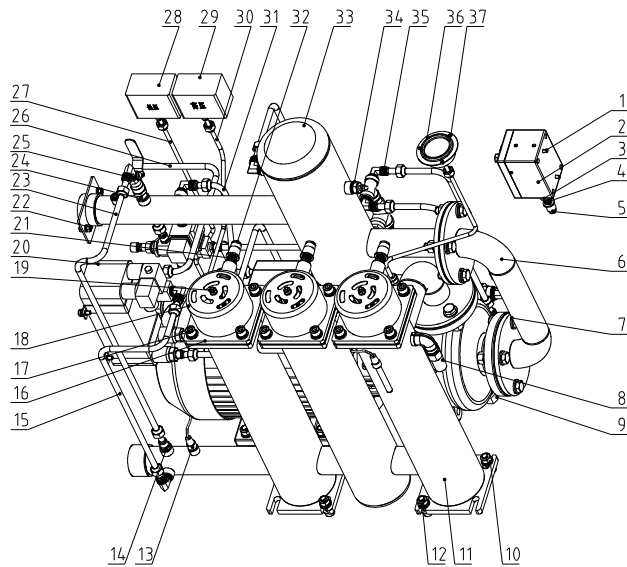
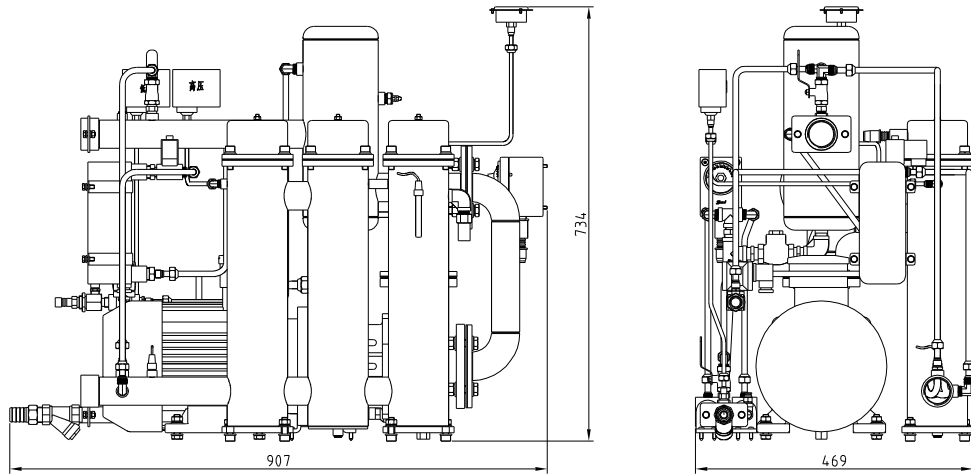


Cooling Method	Heating Tank Number	Max. pump Pressure (bar)	Max. pump Flow L/min	Heater Power kW	Weight (kg)	Ver.
Indirect Cooling	3	5.5	230	36	170	A
Max. Temp.(°C)	External dimensions H×W×D(mm)		Inlet /Outlet Size(inch)	Sub wafer tank capacity (L)	Heating Tank capacity (L)	
180	910×600×1200		1.5 / 1.5	3.8	9.6	



2	STM-3650PWF-B-ALL	internal structure		1	
1	STM-3650PWF-A-ALL	Shell sheet metal		1	
序号	代 号	名 称	材 质	数 量	备 注

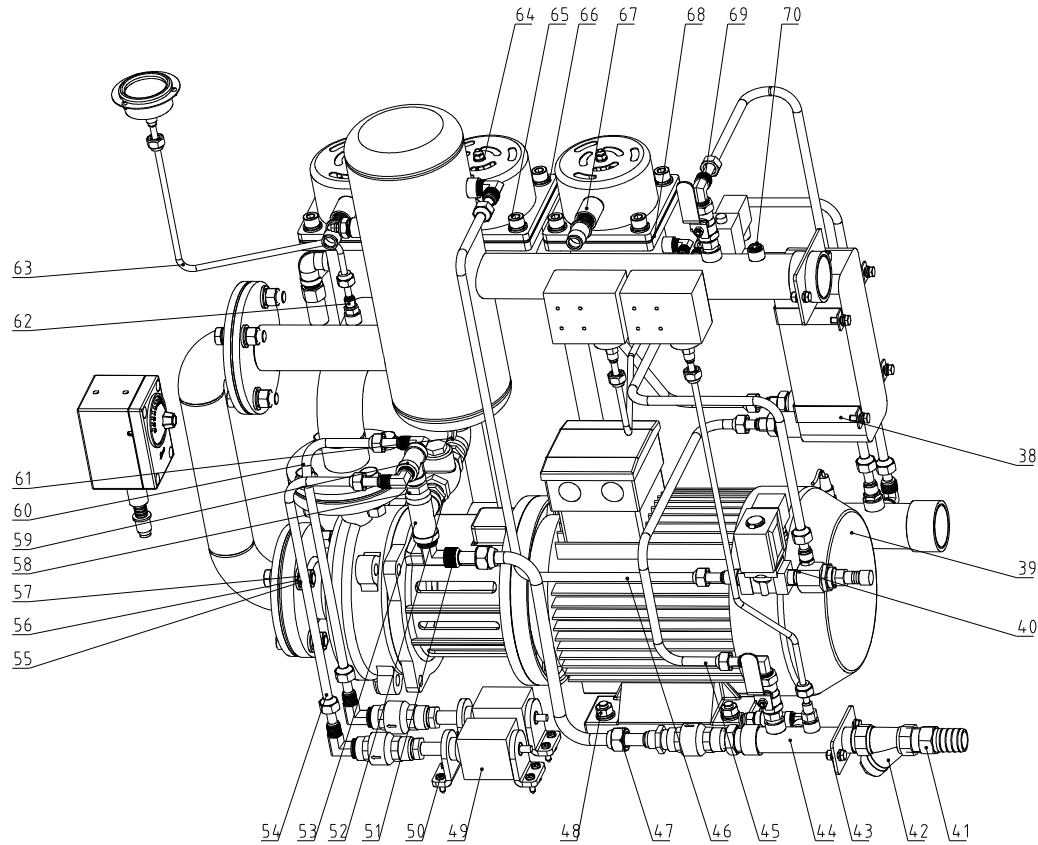
					制图	版号	标题	图号	比例	数量
					设计	核 准	STM-3650PWF 整机	STM-3650PWF-ALL		材 质
					校对		信易電熱機械股份有限公司 Shini Plastics Technologies, Inc.	表面要求		
标记	更改前	更改后	更改人	日期	审核	日期		物料号		



37	YW63030600000	Cross recessed pan head screw M6x6	Q235A	3	
36	YW85015000000	Pressure gauge		1	
35	YW04030800300	Tonflon connector	H58	2	
34	YW09003800500	Single water level probe	Q235A	1	
33	STM-3650PWF-B-02	Return water pipe		1	
32	YE67015800100	Quick connector of hose	PVC	3	
31	STM-3650PWF-B-16	Plate exchng hot water outlet pipe		1	
30	STM-3650PWF-B-10	High pressure pipe		1	
29	YE90002000000	pressure switch controller 0.25MPa	PVC	1	
28	YE90000800000	Low pressure switch controller	PVC	1	
27	STM-3650PWF-B-05	Low pressure pipe		1	
26	STM-3650PWF-B-14	Cooling water outlet pipe		1	
25	YW50030800900	ball valve	H58	1	
24	S-07	Copper connector	H58	1	
23	STM-3650PWF-B-07	Hot water bypass		1	
22	YW60061500100	Hexagon screw bolt M6x16	12.9	8	
21	YE66015800000	Nylon hose	PA66	3	
20	STM-4875PWF-B-08	Plate exchange parts		1	
19	YW64000600300	Hex nut M6	Q235A	7	
18	S-190	Heating tube cover	SPCC10	3	
17	YW04010400400	Tonflon pipe male thread elbow	H62	1	
16	STM-1220PW-F-ALL	Heater pipes		3	
15	STM-3650PWF-B-15	Plate exchng hot water inlet pipe		1	
14	S-116	Tonflon pipe male thread connector	H62	2	
13	BE90342500050	Thermocouple	SUS304	1	
12	YW64001000100	Hexagon nut M10	Q235A	8	
11	STM-3650PWF-B-01	Heating tank		1	
10	YW65010000000	Standard spring washer 10	65Mn	20	
9	S-171	Teflon plug	H58	1	
8	BY90202200110	pressure release valve	Cu	1	
7	YW66122400000	Flat washer A grade 12	12.9	24	
6	STM-3650PWF-B-03	connection pipe		1	
5	YE67001340000	Quick connector of hose	PVC	1	
4	YE66001300000	Nylon hose	PA66	1	
3	YE67109000000	Quick connector of hose	PVC	1	
2	BH90115000050	high-temp. tester		1	
1	YW62051000100	Cross socket flat-head screw M6x10	Q235A	2	

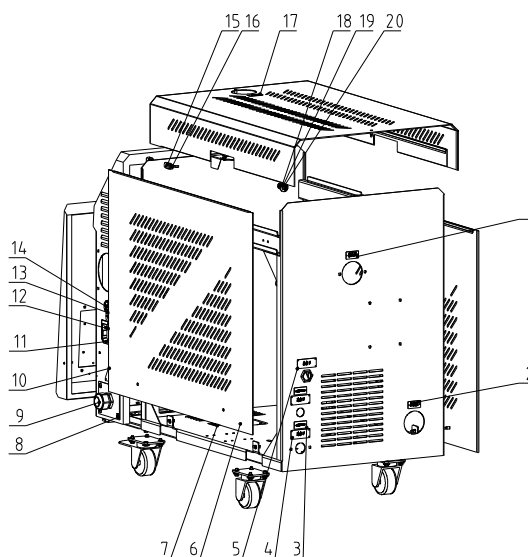
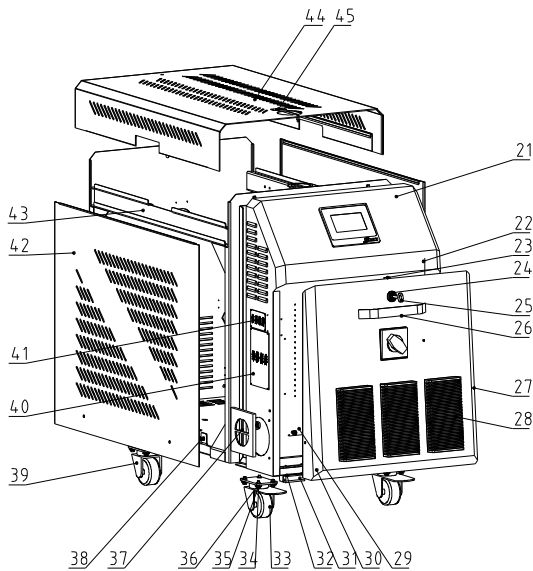
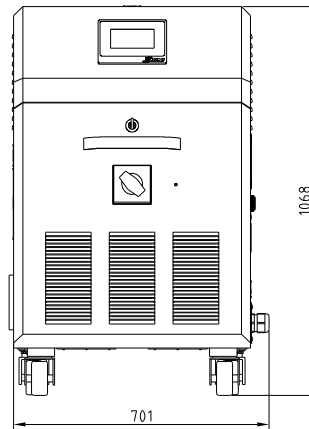
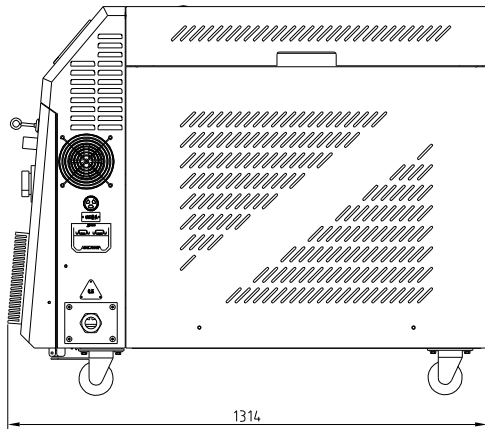
序号 代号 名称 材质 数量 备注

				制图	版号	标题	图号	比例	数量
				设计	核准	STM-3650PWF	STM-3650PWF-B-ALL/01	1:1	1
				校对	日期	内部结构一		表面要求	材质
				审核	日期	信易电热机械股份有限公司 Shini Plastics Technologies, Inc.		物料号	
标记	更改前	更改后	更改人	日期	日期				



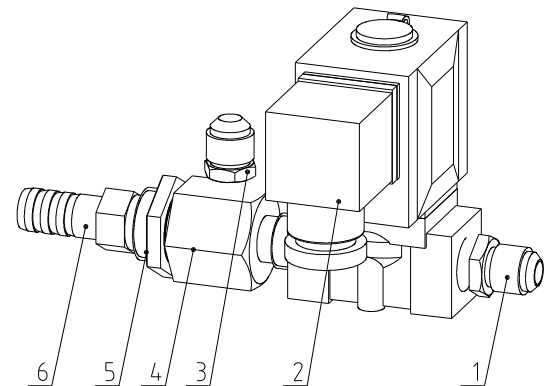
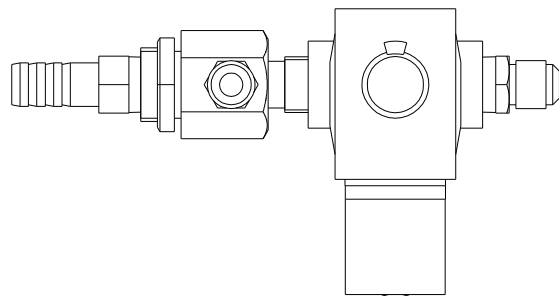
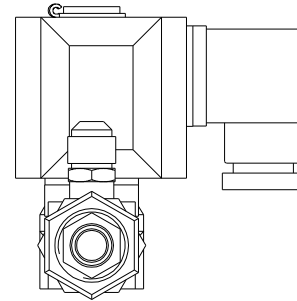
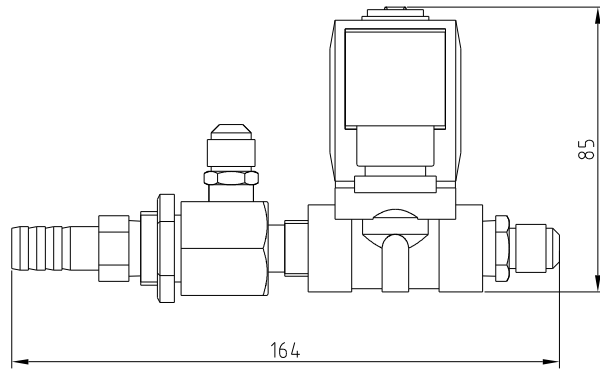
70	YW80010200100	1/4"PT plug	H58	2	
69	S-105	Teflon pipe male thread connector I-type lock	H58	4	
68	YR20120100100	Flexible graphite pad	ISO-68	3	
67	YE67165800000	Quick connector of hose	PVC	3	
66	YW66102000100	Flat washer A grade 10	Q235A	28	
65	YW61103000100	Hexagon socket head cap screw M10x30	12.9	16	
64	YW66061300000	Flat washer A grade 6	Q235A	15	
63	STM-3650PWF-B-06	Pressure gauge pipe		1	
62	S-192	Special connector for pressure gauge	H62	1	
61	YW53001200100	Stainless steel wire mouth elbow	SUS304	1	
60	STM-3650PWF-B-12	Plunger pump water refilling pipe 2		1	
59	YW52030800000	3/8" stainless steel three-way	SUS304	1	
58	S-92	Copper connector	H58	1	
57	YW65012000000	Standard spring washer 12	65Mn	16	
56	YW60124500000	Hexagon screw bolt M12x45	8.8	12	
55	YW64012100000	Hex nut M12	Q235A	12	
54	STM-3650PWF-B-11	Plunger pump water refilling pipe 1		1	
53	YW52010200000	stainless steel three-way 1/2"	SUS304	1	
52	YW59010200300	Swing check valve 1/2"	Cu	1	
51	YW59121200000	Teflon pipe connect	SUS304	1	
50	YW67481900000	Cross socket head tapping screw	Q235A	8	
49	STM-4875PWF-B-07	Plunger pump water refilling assembly		2	
48	YW60103500200	External hexagonal bolt M10x40	12.9	4	
47	STM-3650PWF-B-09	Water supply pipe		1	
46	STM-3650PWF-B-08	Air exhaust pipe		1	
45	STM-3650PWF-B-13	Cooling water inlet pipe		1	
44	STM-4875PWF-B-05	Inlet water assembly		1	
43	YW65060000000	Standard spring washer 6	65Mn	8	
42	YW57030400000	Y-shaped water filter valve 3/4"	Cu	1	
41	S-124	Copper joint 3/4"PT*φ25	H62	1	
40	STM-3650PWF-B-04	Discharge connector parts		1	
39	YM20403200100	Pump LP40-32-160		1	
38	STM-4875PWF-B-10	Plate exchange fixed plate	SPCC15	2	

				制图	版号	标题	图号	比例	数量	备注
				设计	核准	STM-3650PWF	STM-3650PWF-B-ALL/02	1:1	1	
				校对		内部结构二		材料		
				审核		信易電熱機械股份有限公司 Shini Plastics Technologies, Inc.	表面要求			
标记	更改前	更改后	更改人	日期	日期		物料号			



45	YP30425000000	Aluminum label	2024	1	Pressure gauge
44	STM-3650PWF-A-08	Cover plate		1	Welding parts
43	STM-3650PWF-A-01	Rack		1	Welding parts
42	STM-3650PWF-A-07	Left side plate		1	Welding parts
41	YP30804900700	Aluminum label	2024	1	SHINI Nameplate
40	YP31115800600	Aluminum label	2024	1	STM Maintenance
39	YW03000300200	3" Without castor with brake	Q235A	2	
38	YW01051000000	Pin spring	65Mn	6	for new model of STM
37	STM-3650PWF-A-02	Control box rear panel		1	Welding parts
36	YW66061800000	Flat washer A grade	Q235A	16	GB/T96.1(4*16*1.5)
35	YW60061500100	Hexagon screw bolt M6x16	12.9	16	GB/T5783
34	YW65060000000	Standard spring washer 6	65Mn	16	GB/T93
33	YW03000300000	3" With castor with brake	Q235A	2	
32	YW62051000100	Large cross socket flat head screw M10	Q235A	2	JIS1111
31	YW06219100000	Big hinge	2024	2	Shengjin CJ219-1
30	YW67040600000	Cross socket pan head self-tapping lock screw M6	Q235A	6	GB6560
29	STM-3650PWF-A-04	Electrical bottom plate	SECC	1	
28	YW90120700000	aluminum cooler	6061	3	
27	STM-3650PWF-A-05	Door plank		1	Welding parts
26	YW20660900100	Door plank aluminum handle	2024	1	6609(Taxuan)
25	YW00040600200	Long door lock key	SUS201	1	CP-406-DH
24	YW00000000100	long door lock	PVC	1	
23	YW00040600000	Door lock long fender	SUS201	1	MP-406-DH
22	YW63062000000	Cross recessed pan head screw M20	Q235A	4	GB/T-818
21	STM-3650PWF-A-03	control box		1	Welding parts
20	YW65008000100	Standard spring washer 8	65Mn	8	GB/T93
19	YW66082200100	Large washer C grade	Q235A	6	GB/T96(0.4*24*2)
18	YW61082001200	large hexagon cylinder head screw M20	12.9	6	GB/T70.1
17	YW69020500000	Rivet 2x5	2024	31	GB/T 827
16	YW69081500000	Butterfly bolt M8x15	Q235A	2	GB/T 3098
15	YW66081600000	Flat washer A grade (0.4*16*1.6)	Q235A	2	GB/T97.1
14	YE84003500200	Buzzer PK-3A 220V	PVC	1	
13	YP30048500000	Aluminum label	2024	1	Communication connector
12	YE90048501200	RS485 interface board		1	
11	YR40048500000	Shell RS485		1	
10	YP31051650000	Power aluminum label	2024	1	three triangle 3-pin HW
9	YE67002900000	Cable head	PVC	1	
8	SG-S-01	Wire fixture fixed plate	SPCC2.0	1	
7	YP30429000000	Aluminum label	2024	1	Drain port
6	STM-3650PWF-A-06	Right side plate		1	Welding parts
5	YP30430000000	Aluminum label	2024	1	Water outlet port
4	YP30431000000	Aluminum label	2024	1	Water inlet port
3	YP31091040000	Aluminum label	2024	1	Regularly clean the filter
2	YP30423000000	Aluminum label	2024	1	To mould
1	YP30422000000	Aluminum label	2024	1	from mould
序号	代号	名称	材质	数量	备注

标记	更改前	更改后	更改人	日期	制图	版号	标题	图号	比例	数量
					设计	核准	STM-3650PWF 外壳钣金	STM-3650PWF-A-ALL	1:1	1
					校对				表面要求	材质
					审核				物料号	
							SHINI 信易电热机械股份有限公司 Shini Plastics Technologies, Inc.			



6	BH12030801110	Copper joint	H58	1	
5	BH12060703910	General copper nut	H58	1	
4	BL40005400320	The third-set accessory of the copper connector	H58	1	
3	BH12010400510	Tonflon pipe male thread connector	H58	1	
2	YE30003802400	Solenoid valve 2LH050-10E		1	
1	BH12030800610	Tonflon pipe male thread connector	H58	1	

序号	代号	名称	材质	数量	备注
----	----	----	----	----	----

					制图	版号	标题	图号	比例	数量
					设计	核准	STM-3650PWF	STM-3650PWF-B-04		材质
					校对		排水接头组件			表面要求
标记	更改前	更改后	更改人	日期	审核	日期	信易電熱機械股份有限公司 Shini Plastics Technologies, Inc.		物料号	