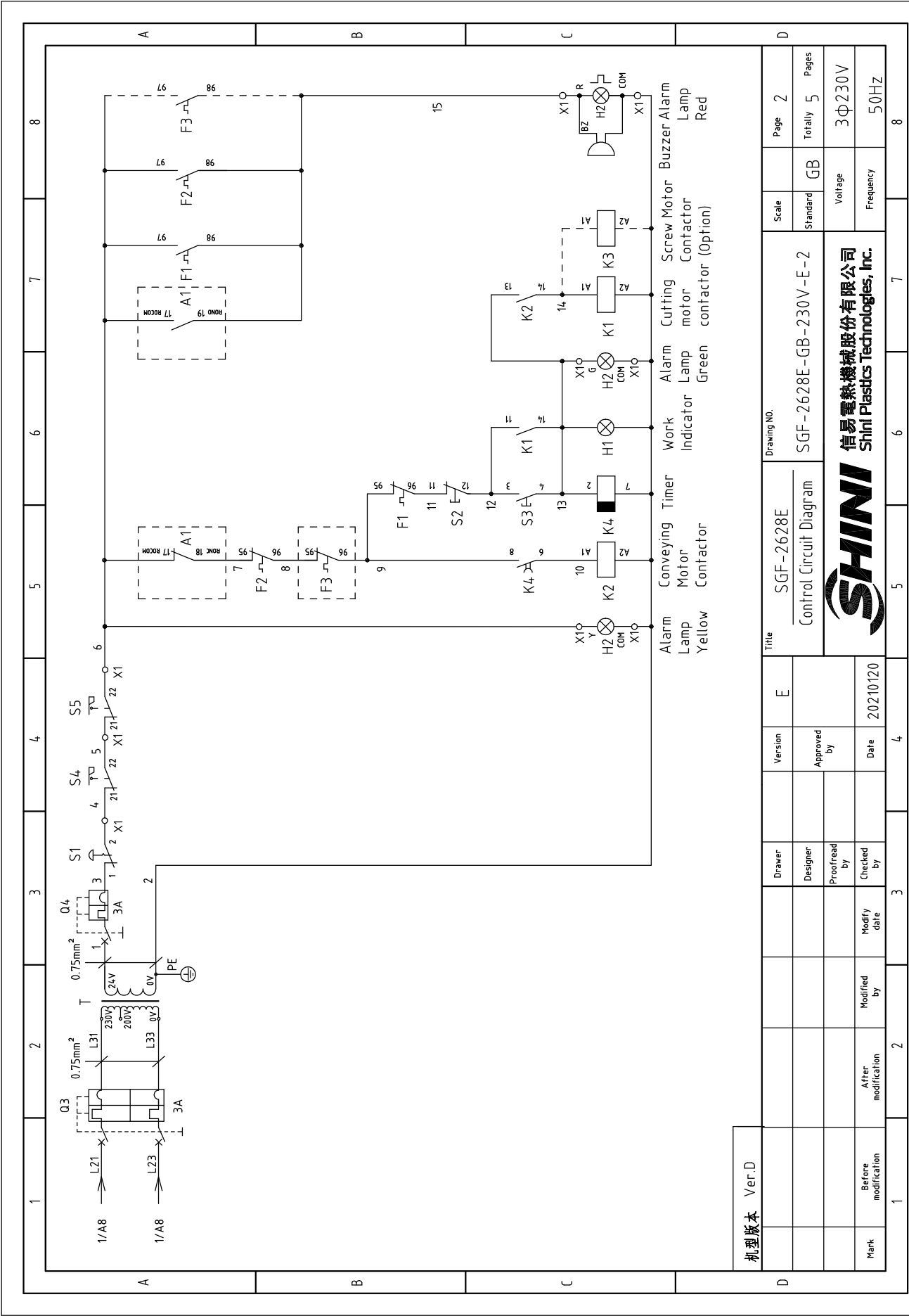


Notes: When the screw motor is optional, the power of conveying blower M2 is P=1.1kW IN=4.3A SET=4.3A

机型版本	Ver.D	Title	SGF-2628E		Drawing NO.	SGF-2628E-GB-230V-E-1		Scale	Page 1
						Totally 5	Pages		
Mark	Before modification	Version	E	Approved by	Checked by	Date	20210120	Voltage	3Φ230V
	After modification		Modified by						Modify date
SHINI			信易电热机械股份有限公司			Shini Plastics Technologies, Inc.			8



机型版本	Ver.D
Mark	Before modification
Modified by	
Modify date	
Checked by	
Proofread by	
Designer	
Drawer	
Version	E
Approved by	
Date	20210120

Title		Drawing NO.	
SGF-2628E		SGF-2628E-GB-230V-E-2	
Control Circuit Diagram			
Scale	Page 2	Standard	Totally 5
GB		Voltage	3Φ230V
		Frequency	50HZ
SHINI		信易电热机械股份有限公司	
		Shini Plastics Technologies, Inc.	

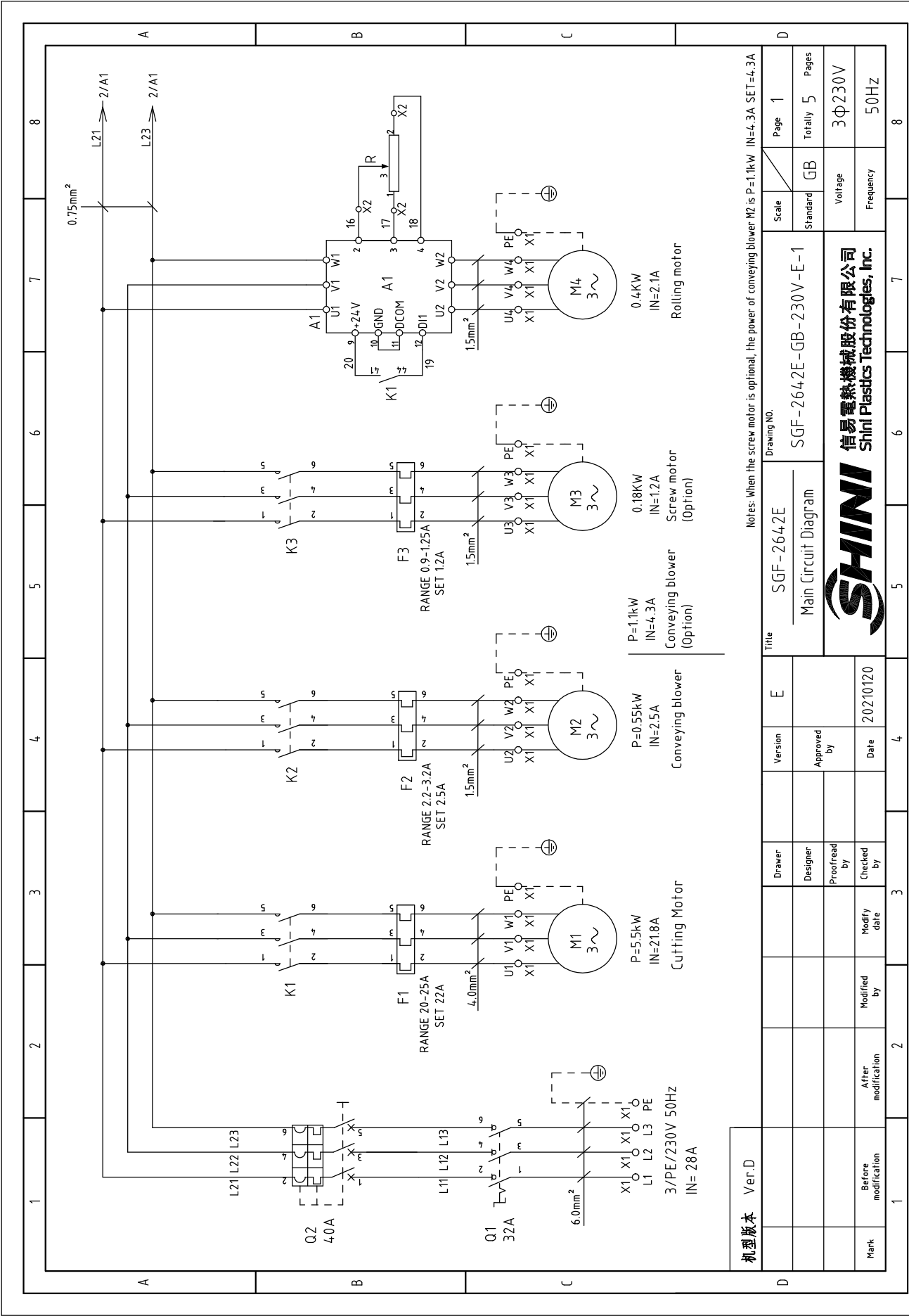
1	2	3	4	5	6	7	8		
NO.	Symbol	Name	Manufacturer	Type	Specification	Number	Material number	Remark	
1	Q1	Main power switch	EATON	P1-25/EA/SVB	25A	1	YE10125250000	(1)	
2	Q2	Circuit-breaker	TECO	BM-63C/3032S	32A	1	YE40303203000		
3	K1	Contacto	SIEMENS	3RT6026-1AC20	25A 24VAC 50/60Hz	1	YE00602602600	A	
4		Auxiliary contact terminal	SIEMENS	3RH6911-1AA10	1N0	1	YE00691110000		
5	K2	Contacto	SIEMENS	3RT6016-1AB01	9A 24VAC 50/60Hz	1	YE00601602500		
6	K3	Contacto	SIEMENS	3RT6016-1AB01	9A 24VAC 50/60Hz	1	YE00601602500	(2)	
7	K4	Timer relay	YUYUN	TRF-N 3M	24VAC 50/60Hz	1	YE86032400000		
8	F1	Thermal overload relay	SIEMENS	3RU6126-4BB0	14-20A	1	YE01260140000		
9	F2	Thermal overload relay	SIEMENS	3RU6116-1DB0	2.2-3.2A	1	YE01160220000	New	
10	F2	Thermal overload relay	SIEMENS	3RU6116-1FB0	3.5-5.0A	1	YE01160350000	(2)	
11	F3	Thermal overload relay	SIEMENS	3RU6116-0KB0	0.9-1.25A	1	YE01160900000	(2)	
12	Q3	Circuit breaker	TECO	BM-63C/2003S 2P	3A	1	YE40200203000	B	
13	Q4	Circuit breaker	TECO	BM-63C/1003S 1P	3A	1	YE40100203000		
14	A1	Inverter	ABB	ACS355-03E-02A4-2	230V 0.37KW	1	YE75355300000		
15	T	Mutual transformer	-----	IN=230V/200V OUT=24V	80VA	1	YE70023005200		
16	X1	Terminal board	Honeywell	SK2.5	2.5mm ²	22- 20	YE60002503200	Change	
17		Terminal board	Honeywell	GK6.0	6.0mm ²	3	YE60000603200		
18		Terminal board	Honeywell	GK6.0PE	6.0mm ² PE	1	YE60000603500	C	
19		Terminal board	Honeywell	GK2.5PE	2.5mm ² PE	3	YE60002503400		
20		Terminal board	Honeywell	SK2.5	2.5mm ²	3	YE60002503200	(2)	
21		Terminal board	Honeywell	GK2.5PE	2.5mm ² PE	1	YE60002503400	(2)	
22	S1	Emergency stop button switch	SCHNEIDER	XB2BS542C	230VAC	1	YE11254200000	(1)	
23	S2	Stop button switch	SCHNEIDER	XB2BA22C	230VAC	1	YE11222000000	(1)	
24	S3,H1	Stop button switch (with light)	SCHNEIDER	XB2BW33B1C	24VAC	1	YE11233100000	(1)	
25	S4,S5	Safety switch	SCHMERSRC	AZ152VK-14.76	AC-15	2	YE16147600100	(1)	
机型版本 Ver.D		Notes:(1)Materials not inthe control box; (2)Optional rotary feeding motor;		Title		Drawing NO.		D	
		E		SGF-2628E		SGF-2628E-GB-230V-E-4		Scale	
		Version		Elec. Parts List 1		Standard		Page 4	
		Designer		SHINI		GB		Totally 5 Pages	
		Proofread by		20210120		Voltage		3Φ230V	
		Checked by				Frequency		50Hz	
Mark		Before modification		Modified by		Modify date		8	



1		2		3		4		5		6		7		8	
NO.	Symbol	Name	Manufacturer	Type	Specification	Number	Material number	Remark							
24	H2	Stop botton switch (with light)	SHINI	Red. gr. yel.+buzzer	24VAC	1	BL90002401520	(1)							
25	R	Adjustable potentiometer	TAYFE	LA42DWQ-22	10K	1	YE90422200000	(1)							
26	M1	Motor	SIEMENS	4.0KW	400V 50/60Hz	1	-----	(1)							
27	M2	Motor	SHINI	0.55KW	400V 50/60Hz	1	-----	(1)							
28	M2	Motor	SHINI	1.1KW	400V 50/60Hz	1	-----	(1)(2)							
29	M3	Motor	NORD	0.18KW	400V 50/60Hz	1	-----	(1)							
30	M4	Motor	LIMING	0.4KW	400V 50/60Hz	1	-----	(1)							
31		Terminal fittings	HONEYWELL	-----	-----	4	YE60000003900	(1)							
									B						
									C						
									D						
机型版本		Ver.D	Notes:(1)Materials not inthe control box; (2) Optional rotary feeding motor;												
		Drawer	Version	E	Title		Drawing NO.		Scale	Page	5				
		Designer	Approved by		SGF-2628E		SGF-2628E-GB-230V-E-5		Standard	GB	Totally 5				
		Proofread by	Date	20210120	Elec. Parts List 2				Voltage	3Φ230V					
Mark		Before modification	Modified by	Modify date					Frequency	50Hz					
1		2		3		4		5		6		7		8	



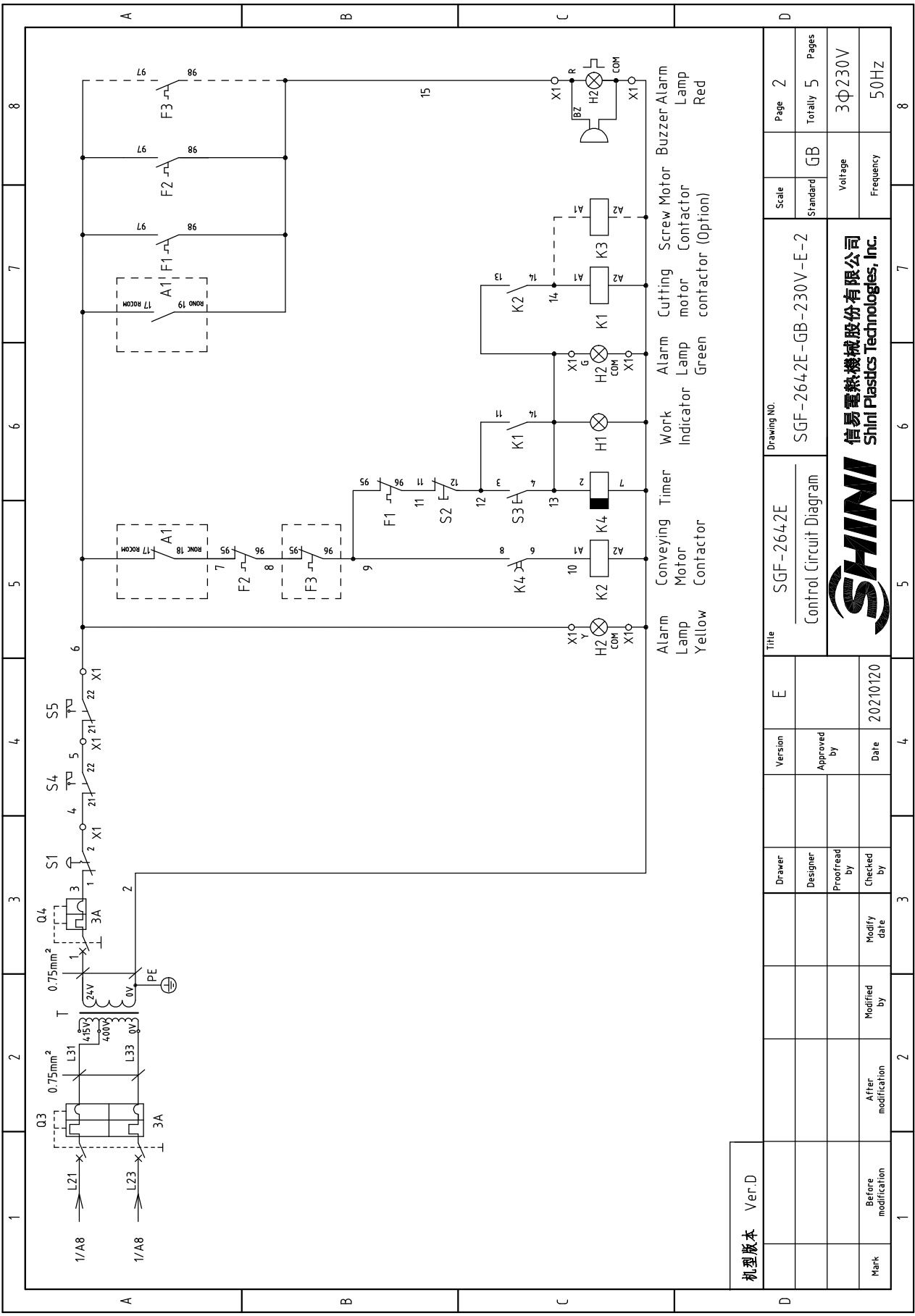
信易电热机械股份有限公司
Shini Plastics Technologies, Inc.



机型版本 Ver.D

Mark	Before modification	Modified by	Modify date	Checked by	Date	Approved by	Version	E	Title	SGF-2642E	Drawing NO.	SGF-2642E-GB-230V-E-1	Scale	Standard	GB	Totally	5	Pages	3Φ230V	Frequency	50Hz
Drawer		Designer	Proofread by	Checked by	20210120																
Notes: When the screw motor is optional, the power of conveying blower M2 is P=1.1kW IN=4.3A SET=4.3A																					



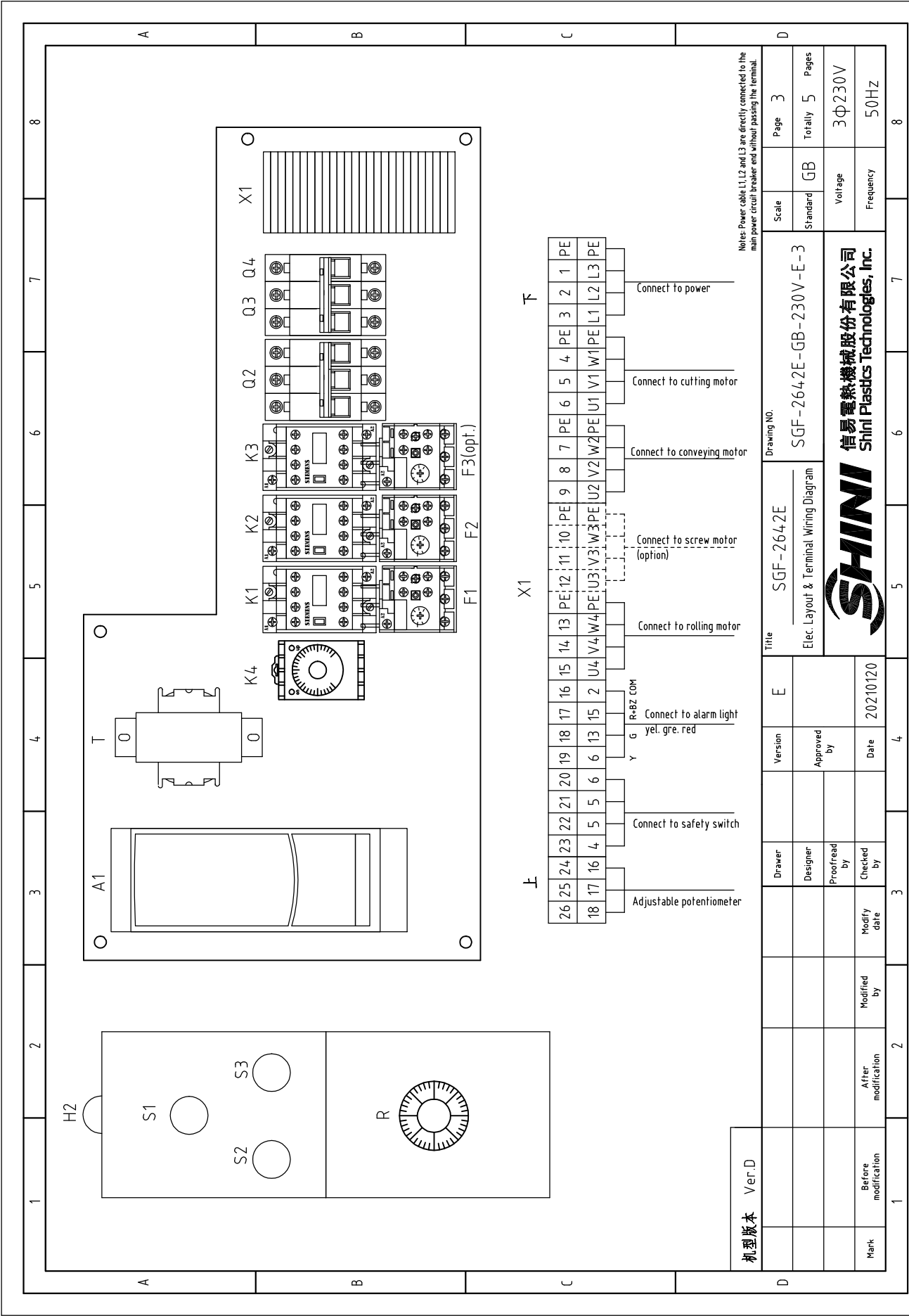


机型版本	Ver.D
Mark	Before modification
Modified by	
Modify date	
Checked by	
Proofread by	
Designer	
Drawer	
Version	E
Approved by	
Date	20210120

Title		Drawing NO.	
SGF-2642E		SGF-2642E-GB-230V-E-2	
Control Circuit Diagram		Scale	Page 2
		Standard	Totally 5
		GB	Pages
		Voltage	3Φ230V
		Frequency	50Hz

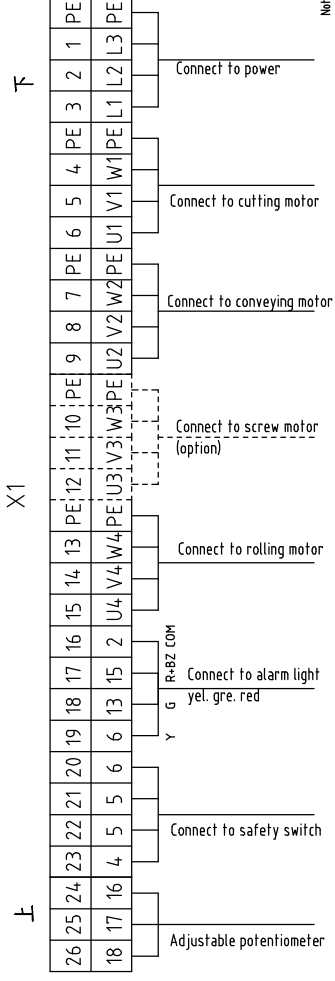


信易电热机械股份有限公司
Shini Plastics Technologies, Inc.



Notes: Power cable L1, L2 and L3 are directly connected to the main power circuit breaker end without passing the terminal.

机型版本	Ver.D	Drawer	Version	E	Title	SGF-264ZE	Scale	Page 3
Mark	Before modification	Designer	Approved by		Elec. Layout & Terminal Wiring Diagram		Standard	Totally 5 Pages
	After modification	Proofread by	Date	20210120	SGF-264ZE-GB-230V-E-3		GB	Voltage
	Modify date	Checked by						Frequency
								3Φ230V
								50HZ



机型版本 Ver.D

SHINI
信易电热机械股份有限公司
Shini Plastics Technologies, Inc.

1		2		3		4		5		6		7		8	
NO.	Symbol	Name	Manufacturer	Type	Specification	Number	Material number	Remark							
1	Q1	Main switch	EATON	P1-32/EA/SVB	32A	1	YE10323200000								
2	Q2	Circuit breaker	TECO	BM-63C/3040S	40A	1	YE40304003000								
3	K1	接触器/Contactor	SIEMENS	3RT6026-1AC20	25A 24VAC 50/60Hz	1	YE00602602600	Cancel							
4	K1	Contactor	SIEMENS	3RT6027-1AC20	32A 24VAC 50/60Hz	1	YE00602702600	New							
5		Auxiliary contact terminal	SIEMENS	3RH6911-1AA10	1NO	1	YE00691110000								
6	K2	Contactor	SIEMENS	3RT6016-1AB01	9A 24VAC 50/60Hz	1	YE00601602500								
7	K3	Contactor	SIEMENS	3RT6016-1AB01	9A 24VAC 50/60Hz	1	YE00601602500	(2)							
8	K4	Timer relay	YUYUN	TRF-N 3M	24VAC 50/60Hz	1	YE86032400000								
9	F1	Thermal overload relay	SIEMENS	3RU6126-4DB0	20-25A	1	YE01260200000								
10	F2	Thermal overload relay	SIEMENS	3RU6116-1DB0	2.2-3.2A	1	YE01160220000	New							
11	F2	Thermal overload relay	SIEMENS	3RU6116-1FB0	3.5-5.0A	1	YE01160350000	(2)							
12	F3	Thermal overload relay	SIEMENS	3RU6116-0KB0	0.9-1.25A	1	YE01160900000	(2)							
13	Q3	Circuit breaker	TECO	BM-63C/2003S 2P	3A	1	YE40200203000								
14	Q4	Circuit breaker	TECO	BM-63C/1003S 1P	3A	1	YE40100203000								
15	A1	Inverter	ABB	ACS355-03E-02A4-2	230V 0.37KW	1	YE75355300000								
16	T	Mutual transformer	-----	IN=230V/200V OUT=24V	80VA	1	YE70023005200								
17	X1	Terminal board	Honeywell	GK6.0	6.0mm ²	3	YE60000603200								
18		Terminal board	Honeywell	GK6.0PE	6.0mm ² PE	1	YE60000603500								
19		Terminal board	Honeywell	SK4.0	4.0mm ²	3	YE60000403200								
20		Terminal board	Honeywell	GK4.0PE	4.0mm ² PE	1	YE60000403500								
21		Terminal board	Honeywell	SK2.5	2.5mm ²	49-20	YE60002503200	Change							
22		Terminal board	Honeywell	GK2.5PE	2.5mm ² PE	2	YE60002503400								
23		Terminal board	Honeywell	SK2.5	2.5mm ²	3	YE60002503200	(2)							
24		Terminal board	Honeywell	GK2.5PE	2.5mm ² PE	1	YE60002503400	(2)							
25	S1	Emergency stop button switch	SCHNEIDER	XB2BS542C	230VAC	1	YE11254200000	(1)							
机型版本 Ver.D															
Notes:(1)Materials not in the control box; (2) Optional rotary feeding motor;															
D				E		Version		Title		Drawing NO.		Scale		Page	
								SGF-2642E		SGF-2642E-GB-230V-E-4		Standard		4	
						Approved by		Elec. Parts List 1				GB		Totally 5	
						Proofread by		SHINI		Voltage		3Φ230V		Pages	
Mark		Before modification		Modified by		Checked by		Date		Frequency		50HZ			
1		2		3		4		5		6		7		8	
								20210120							



信易电热机械股份有限公司
Shini Plastics Technologies, Inc.

1		2		3		4		5		6		7		8	
NO.	Symbol	Name	Manufacturer	Type	Specification	Number	Material number	Remark							
24	S2	Stop botton switch	SCHNEIDER	XB2BA22C	230VAC	1	YE11222000000	(1)							
25	S3,H1	Stop botton switch (with light)	SCHNEIDER	XB2BW33B1C	24VAC	1	YE11233100000	(1)							
26	S4,S5	Safety switch	SCHMERSRC	AZ152VK-14.76	AC-15	2	YE1614.7600100	(1)							
27	H2	Three color alarm lamp	SHINI	Red. gre. yel.+buzzer	24VAC	1	BL90002401520	(1)							
28	R	Adjustable potentiometer	TAYFE	LA4.2DWQ-22	10K	1	YE90422200000	(1)							
29	M1	Motor	SIEMENS	5.5KW	400V 50/60Hz	1	-----	(1)							
30	M2	Motor	SHINI	0.55KW	400V 50/60Hz	1	-----	(1)							
31	M2	Motor	SHINI	1.1KW	400V 50/60Hz	1	-----	(1)(2)							
32	M3	Motor	NORD	0.18KW	400V 50/60Hz	1	-----	(1)							
33	M4	Motor	LIMING	0.4KW	400V 50/60Hz	1	-----	(1)							
34		Terminal fittings	HONEYWELL	-----	-----	4	YE600000003900								
A															
B															
C															
D															
机型版本 Ver.D Notes:(1)Materials not in the control box; (2) Optional rotary feeding motor;															
				Title		SGF-2642E		Drawing NO.		SGF-2642E-GB-230V-E-5		Scale		Page 5	
				Version		E		Elec. Parts List 2		Standard		GB		Totally 5 Pages	
				Designer				SHINI		Voltage		3Φ230V			
				Proofread by				20210210		Frequency		50Hz			
Mark		Before modification		Modified by		Modify date		Date							
1		2		3		4		5		6		7		8	



信易电热机械股份有限公司
Shini Plastics Technologies, Inc.