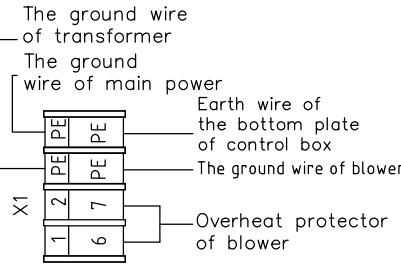
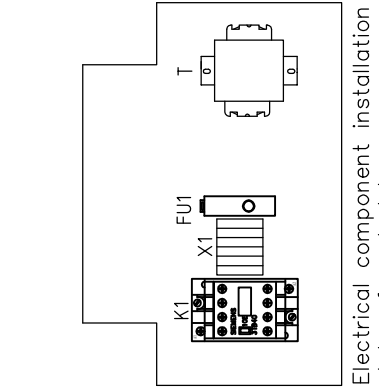
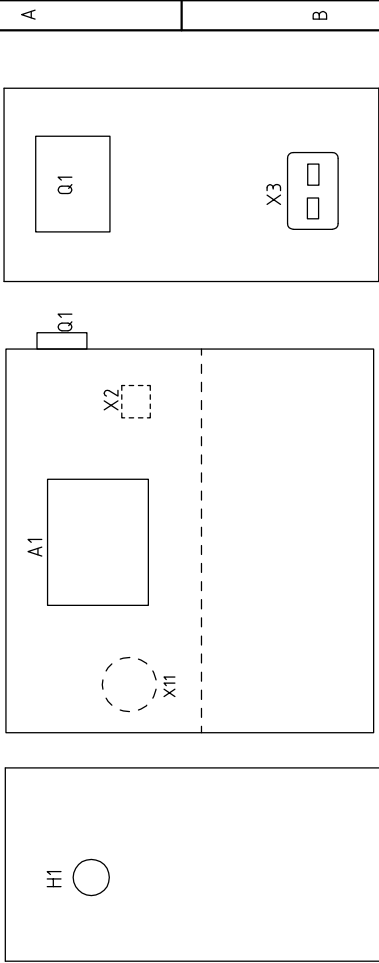
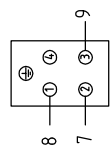


版本	Ver.A	Drawing NO.		SAL-810G/820G/830G		Page 1	8
Mark		Title		Main Circuit Diagram		Scale	Totally 3 Pages
Before modification		Drawer	Version	SAL-810G/820G/830G		Standard	CE
After modification		Designer	Approved by	-CE-400V-0-1		Voltage	4.00V
Modify date		Proofread by	Date	20171121		Frequency	50Hz
1	2	3	4	5		6	7

1 2 3 4 5 6 7 8



X2(Heavy load joint for connecting hopper and the main machine)



Subscript	Function	Description
1	Material level signal (SENS)	Connect to material level sensor
2	GND	----
3	24V+	----
4	----	----

Note: The main power cable of machine connects the circuit via industrial plug, which doesn't pass the terminal board;

版本	Ver.A
Mark	Before modification

Drawer	Version	A
Designer	Approved by	
Proofread by	Date	20171121
Checked by	Modify date	
Modified by		

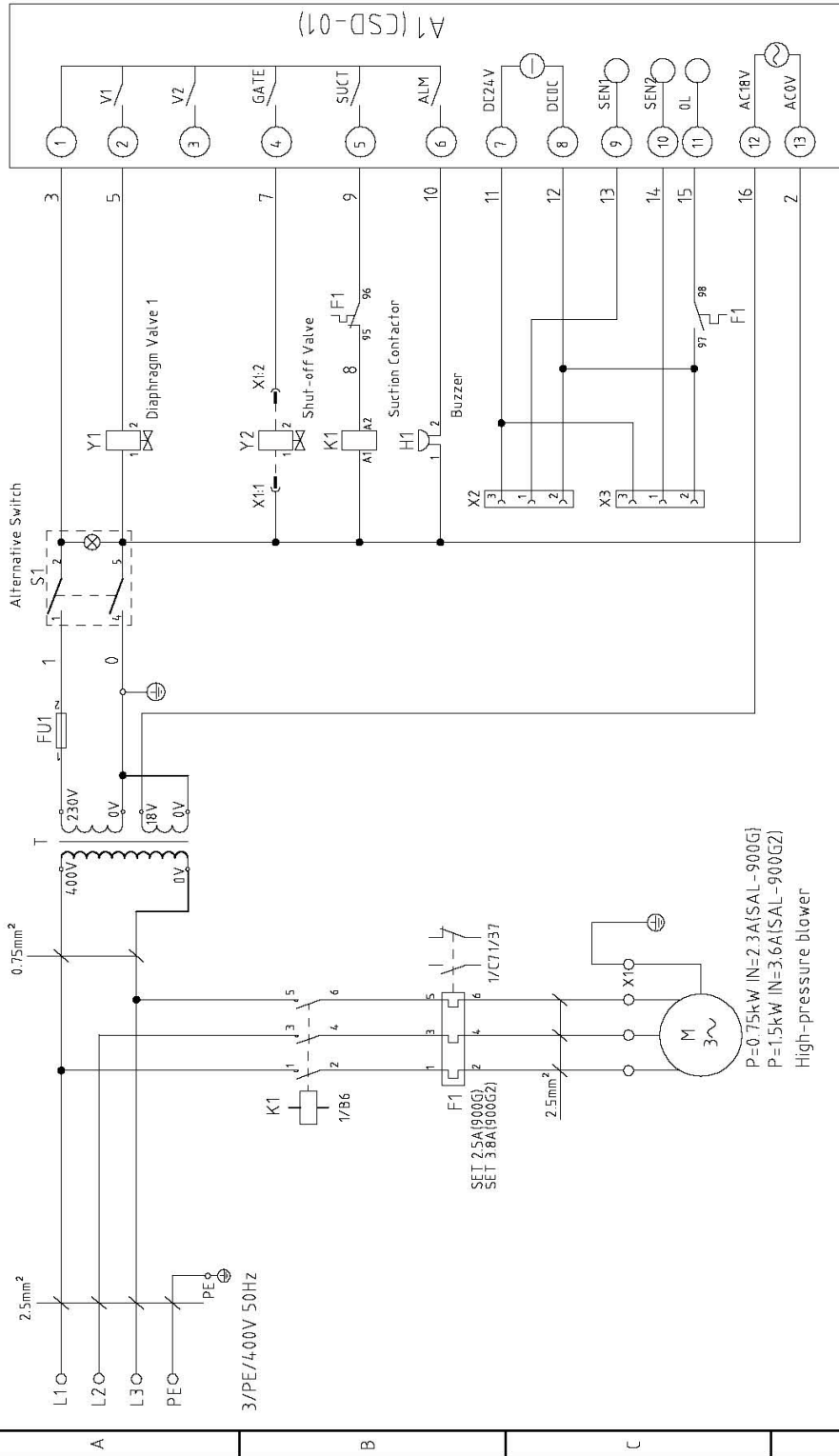
Title		SAL-810G/820G/830G		Drawing NO.		SAL-810G/820G/830G		Scale		Page 2	
Electrical Components Layout		-CE-4.00V-0-2		Standard		CE		Voltage		4.00V	
SHINI		信易塑料机械股份有限公司		Shini Plastics Technologies, Inc.		Frequency		50HZ		Totally 3 Pages	

1 2 3 4 5 6 7 8

1	2		3	4	5	6	7	8
NO.	Symbol	Name	Manufacturer	Type	Specification	Number	Material number	Remark
1	X10	Plug	QX	QX-514 4P/16A(Female)	4P/16A	1	YE62051400000	(1)
2	X11	Plug	QX	QX-813 4P/16A(Male)	4P/16A	1	YE62081300000	
3	Q1	Circuit breakers	TECO	BM-63C/3016S	16A	1	YE40301603000	A
4	K1	AC contactors	SIEMENS	3RT6018-1AB01	AC24V	1	YE00601802500	
5	FU1	Fuse base FS-107/6x30/ with 2A core(transparent)	---	FS-101	250V 2A	1	YE41001000000	
6	T	Transformer	BAIYUN	IN=400V OUT=24V	80VA	1	YE70040005900	
7	H1	Buzzer	---	PK-35A	24VAC/DC	1	YE84003500600	
8	A1	Circuit board	YUYUN	CS-22	24VAC/DC	1	YE80222400600	
9	X1	Terminal board	Honeywell	SK2.5	---	2	YE60002503200	
10		Terminal board	Honeywell	GK2.5PE	---	2	YE60002503400	
12	X2	Heavy duty connector	SIBAS	HDC-HA-004.1(Female)	4P	1	YE68041000100	B
13	X3	RS485 Communication interface board	YUYUN	---	---	1	YE90048501200	
14		Shell RS485(SAL-700G-A-1910)	---	---	PCS	1	YR40048500000	
15	M	Motor	SHINI	0.75KW	400V 50Hz	1	---	(1) SAL-810G
16	M	Motor	SHINI	1.5KW	400V 50Hz	1	---	(1) SAL-820G
17	M	Motor	SHINI	1.85KW	400V 50Hz	1	---	(1) SAL-830G
18	B1	Overheat protector	---	---	----	1	---	(1)
C								
D								
版本 Ver.A				Notes: (1)Means it's not the material inside the control box.				
			Drawer	Version	Title		Drawing NO.	
			Designer	A	SAL-810G/820G/830G		SAL-810G/820G/830G	
			Proofread by		Electrical Components List		Standard	
			Checked by	Approved by	-CE-400V-0-3		CE	
			Modify date	Date	20171121		Voltage	
Before modification							Frequency	
After modification							4.00V	
Mark							50HZ	
1	2		3	4	5	6	7	8



1 2 3 4 5 6 7 8



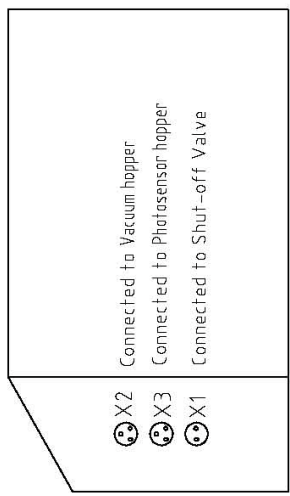
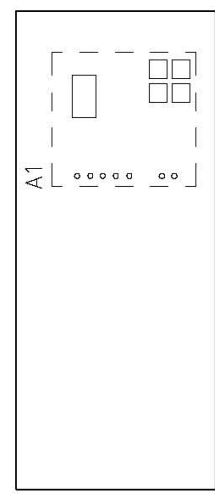
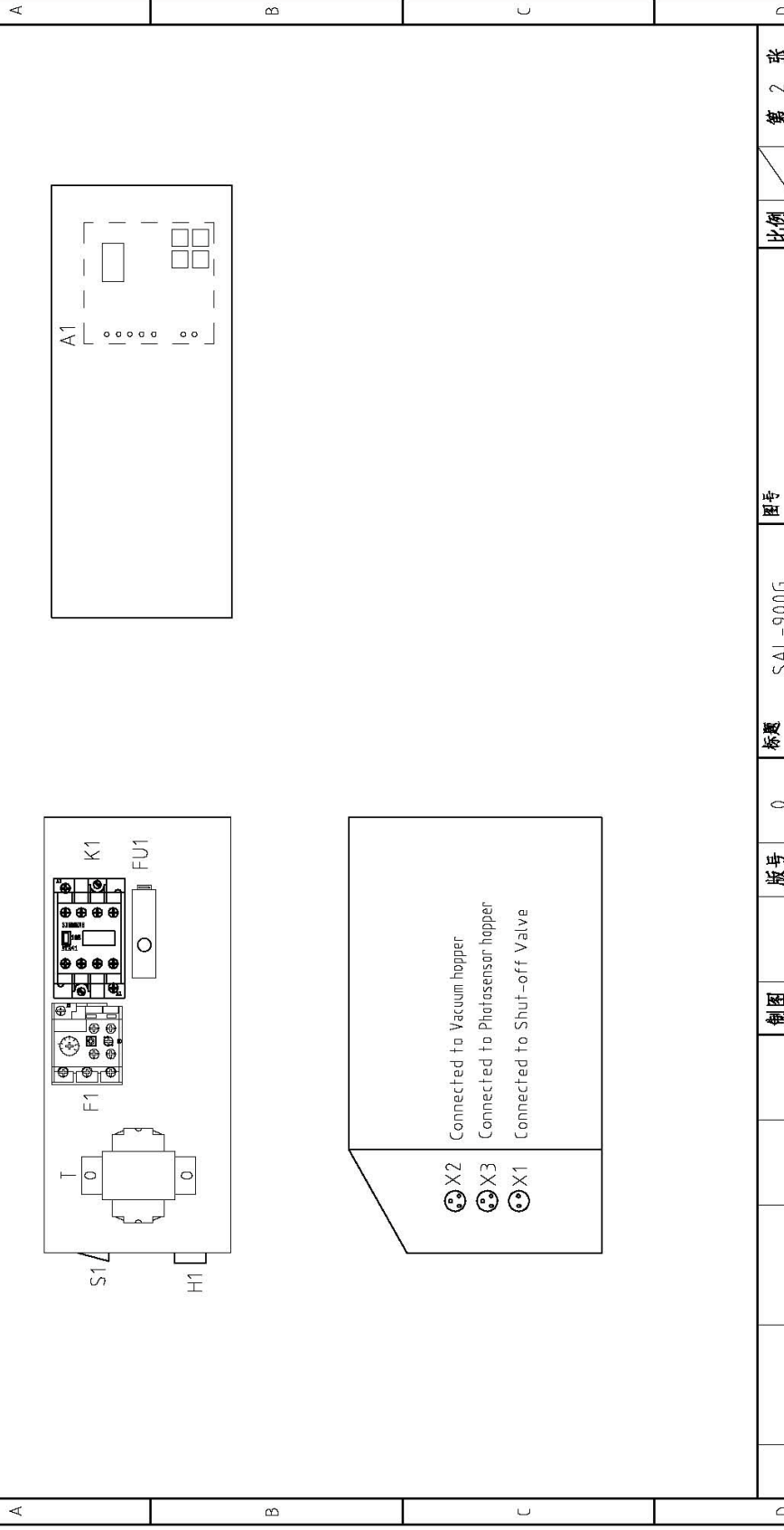
标记	更改前	更改后	更改人	日期	审核	校对	设计	制图	版号	0	标题	SAL-900G Electrical Diagram	图号	SAL-900G-GB-400V-A-1	比例	标准	GB	第 1 张	共 3 张
				2014.10.16					核准									机器电压	400V
									日期									机器频率	50Hz




信易电热机械股份有限公司
Shini Plastics Technologies, Inc.

1 2 3 4 5 6 7 8

1 2 3 4 5 6 7 8



标题		图号		比例		第 2 张	
SAL-900G		SAL-900G-GB-400V-A-2		GB		共 3 张	
Electrical Components Layout				机器电压		400V	
SHINI		信易电热机械股份有限公司 Shini Plastics Technologies, Inc.		机器频率		50Hz	
版号		制图		日期		1	
0		设计		更改后		2	
核准		校对		更改前		3	
日期		审核		更改人		4	
2014.10.16						5	
						6	
						7	
						8	

1		2		3		4		5		6		7		8	
No.	Symbol	Name	Manufacturer	Type	Specification	Number	Material number	Remark							
1	K1	Contactors•	SIEMENS	3RT6016-1AN21	220V 50/60Hz	1	YE00601521000								
2	F1	Overload relay	SIEMENS	3RU6116-1DB0	2.2-3.2A	1	YE01160220000	900G							
3	F1	Overload relay	SIEMENS	3RU6116-1FB0	3.5-5A	1	YE01160350000	900G2							
4	FU1	Fuse**	YINDA	FS-10	2A 1P	1	YE41001000000								
5	H1	Buzzer	KPE	PF-35A	220V 50/60Hz	1	YEB4003500000								
6	PC	PCB	YUYUN	CS-01	220V 50/60Hz	1	YE80122000000								
7	T	Transformer	SHINI	IN=400V OUT=230V 18V	300mA	1	YE70304000000								
8	S1	Control switch	SHINI	R210-C5LBW	4P	1	YE10210400000								
9	X1	Metal joint	APEX	DF-25-R	2P	1	YE68025200100								
10	X2X3	Metal joint	APEX	DF-25-3R	3P	2	YE68025340400								
11	Y1	Valve	--	--	220V 50/60Hz	1	----								
12	M	High-pressure blower•	SHINI	--	0.75KW	1	----	900G							
13	M	High-pressure blower•	SHINI	--	1.5KW	1	----	900G2							
Notes: (1)Means it's not the material inside the control box.															
				制图		版号		标题		图号		比例		第 3 张	
				设计		核 准		SAL-900G		SAL-900G-CB-400V-A-3		标准		共 3 张	
				校对		日期		Electrical Components List		2014.10.16		机器电压		400V	
标记		更改前		更改后		更改人		日期		审核		机器频率		50Hz	
1		2		3		4		5		6		7		8	
 SHINI 信易电热机械股份有限公司 Shini Plastics Technologies, Inc.															