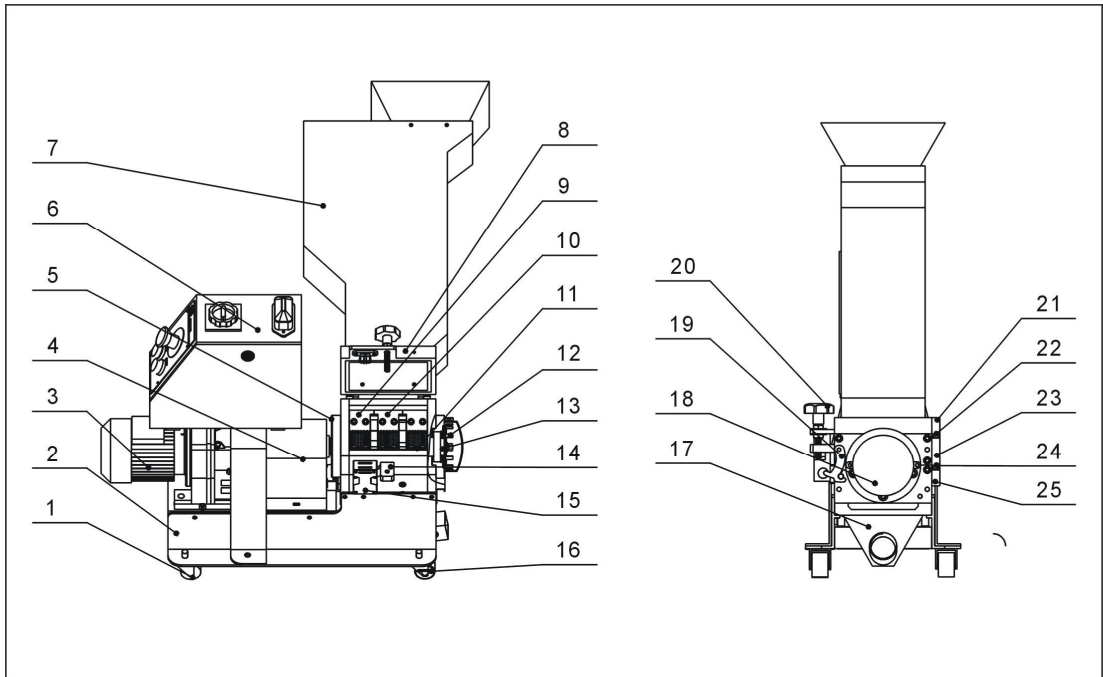


## 1. Assembly Drawing



Note: Please refer to material list 2 about the parts code.

## 2. Parts list

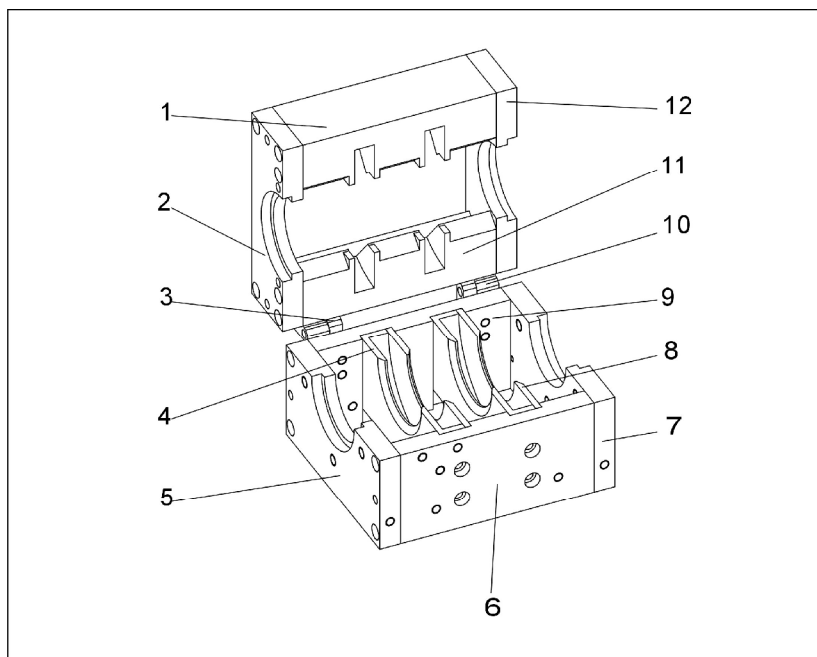
No.	Name	Part No.	
		SG-1411	SG-1417
1	Movable castor	YW03102900200	YW03102900200
2	Rack	--	--
3	Gear motor	YM10572100000	YM10572100000
4	Coupling cover	-	-
5	Bearing cover on left side	-	-
6	Control box	-	-
7	Storage hopper	-	-
8	Feed box base	-	-
9	Fixed blade 1*	BW40114150010	BW40114150010
10	Fixed blade 3*	-	BW40314170010
11	Fixed blade 2*	BW40141630010	BW40141630010
12	Wheel sensor	BH10141101710	BH10141101710
13	Special washer	-	-
14	Fixing plate for safety switch	-	-

15	Safety switch**	YE16147600100	YE16147600100
16	Castor with brake	YW03102900100	YW03102900100
17	Storage box	-	-
18	Wheel sensor cover	-	-
19	Pothook	-	-
20	Star knob	YW09001000000	YW09001000000
21	Locating block 3	BH10314460010	BH10314460010
22	Dowel (Φ8x27)	BH10082700010	BH10082700010
23	Locating block 1	BH10140900910	BH10140900910
24	Dowel (Φ8x32)	BH10083200010	BH10083200010
25	Locating block 2	BH10214450010	BH10214450010

\* means possible broken parts. \*\* means easy broken part. and spare backup is suggested.

Please confirm the version of manual before placing the purchase order to guarantee that the item number of the spare part is in accordance with the real object.

### 3. Cutting Chamber



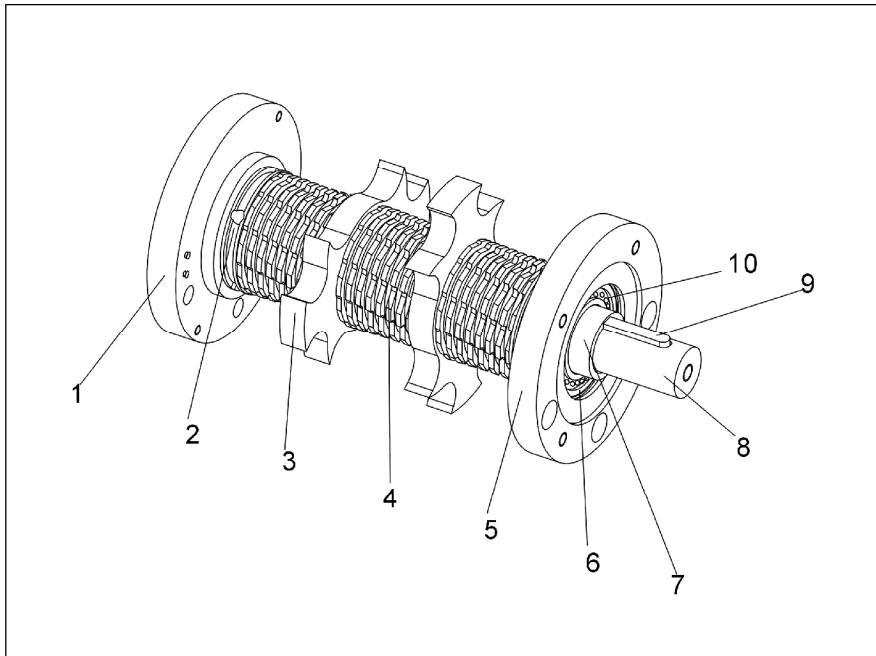
Note: Please refer to material list 4 about the parts code.

### 4. Cutting Chamber Parts List

No.	Name	Part No.	
		SG-1411	SG-1417
1	Front case block at top	BW30141100110	BW30141700110
2	Left bearing holder at top	BH10140000310	BH10140000310
3	Locating block 2	BH10214450010	BH10214450010
4	Thick middle plate	BH10001400610	BH10001400610
5	Left bearing holder at bottom	BH10140000110	BH10140000110
6	Front case block at bottom	BH10141100210	BH10141700110
7	Right bearing holder at bottom	BH10140000010	BH10140000010
8	Thin middle plate	BH10001400510	BH10001400510
9	Back case block at bottom	BH10141100010	BH10141700210
10	Locating block 1	BH10140900910	BH10140900910
11	Back case block at top	BW30141100010	BW30141700010
12	Right bearing holder at top	BH10140000210	BH10140000210

Please confirm the version of manual before placing the purchase order to guarantee that the item number of the spare part is in accordance with the real object.

## 5. Blade Rest



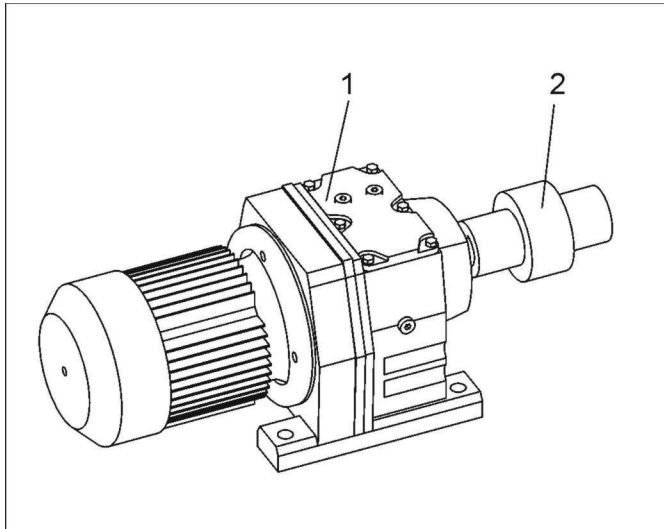
Note: Please refer to material list 6 about the parts code.

## 6. Blade Rest Parts List

No.	Name	Part No.	
		SG-1411	SG-1417
1	Right bearing block	BW30001420010	BW30001420010
2	Right bearing sleeve	BW30001400110	BW30001400110
3	Staggered blade	BW40141410010	BW40141410010
4	Teeth cutter	BW40140180010	BW40140180010
5	Left bearing block	BW30001400010	BW30001400010
6	Spring block ring	YW69682500000	YW69682500000
7	Left bearing sleeve	BW30014000010	BW30014000010
8	Main shaft	BH10141101110	BH10141701110
9	Flat key	BH10141120010	BH10141750010
10	Bearing	YW11600800000	YW11600800000

Please confirm the version of manual before placing the purchase order to guarantee that the item number of the spare part is in accordance with the real object.

## 7. Transmission Parts



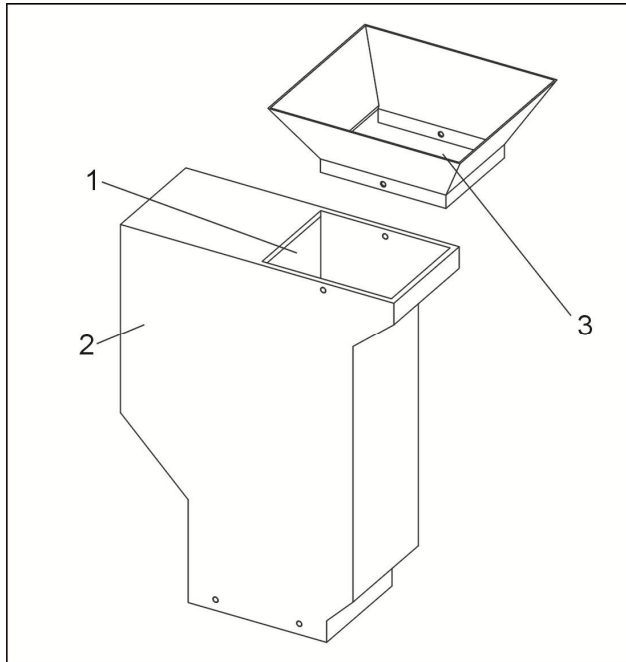
Note: Please refer to material list 8 about the parts code.

## 8. Transmission Parts List

No.	Name	Part No.	
		SG-1411	SG-1417
1	Gear motor	YM10572100000	YM10572100000
2	Coupling	YW11305500000	YW11305500000

Please confirm the version of manual before placing the purchase order to guarantee that the item number of the spare part is in accordance with the real object.

## 9. Feed Box, Feed Port and Material Stopper



Note: Please refer to material list 10 about the parts code.

## 10. Feed Box, Feed Port and Material Stopper Parts List

No.	Name	Part No.	
		SG-1411	SG-1417
1	Material stopper	-	-
2	Feed port	-	-
3	Feed box	BR90141100110	BR90141700010

Please confirm the version of manual before placing the purchase order to guarantee that the item number of the spare part is in accordance with the real object.