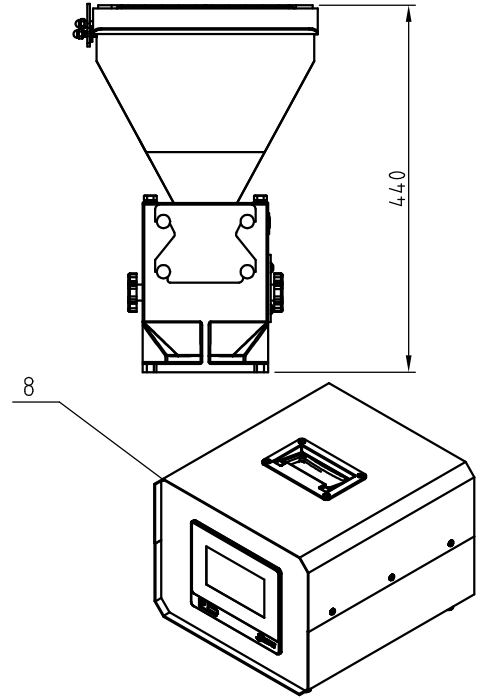
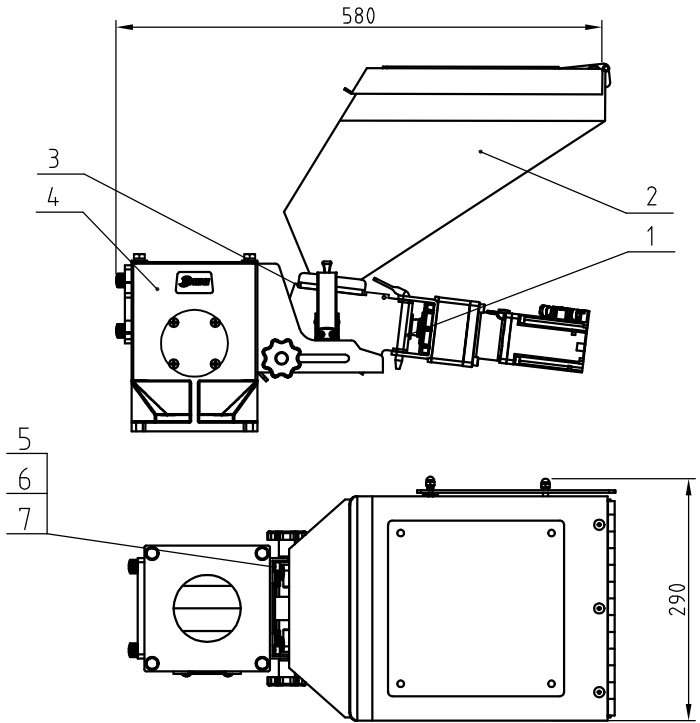


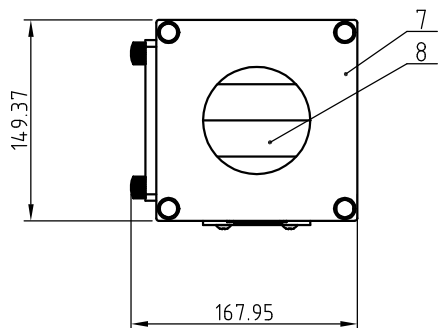
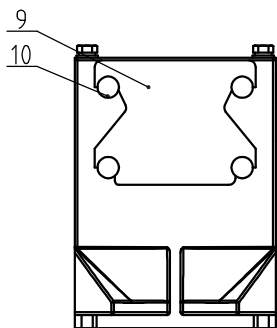
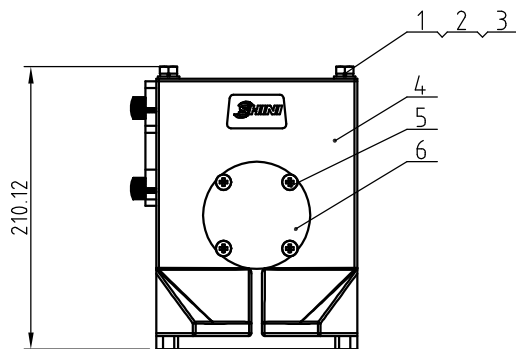
机型版本号: Ver.1



Tech.Req:
 1. Main performance parameters:
 a.Motor power:400W;
 b.Power:1 phase,230V, 50Hz;
 c.Noise level≤85dB。

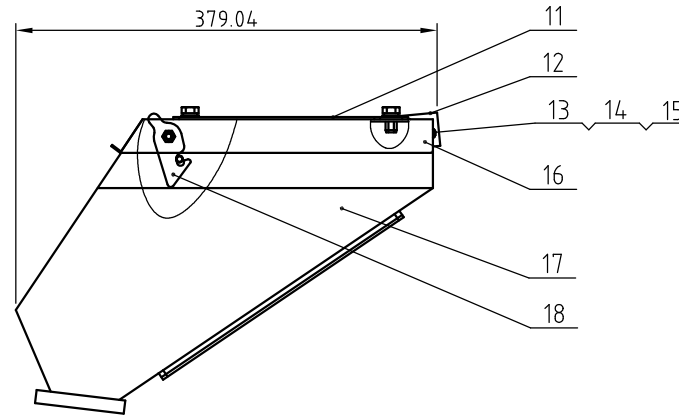
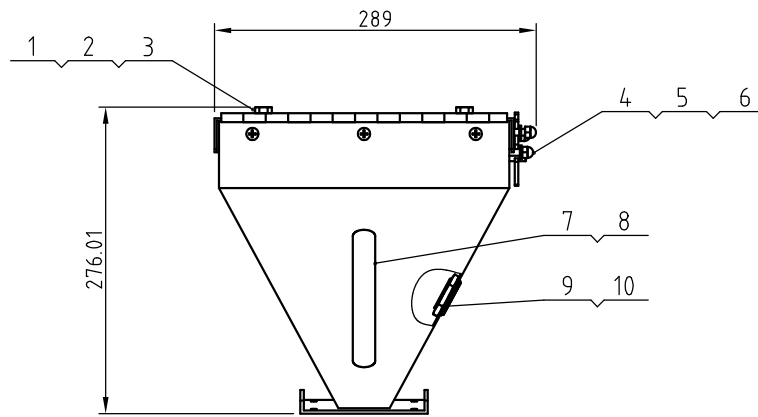
8	SCM-E-ALL	Control box assembly	Assembly	1	
7	YW66061300000	Flat washer A grade GB/T97.16 Longzine		4	
6	YW65006000100	Standard spring washer GB/T93 6 Longzine		4	
5	YW61062000300	Inner hex. column head screw GB/T70.1 M6X20-12.9 Longzine		4	
4	YW61051000100	Inner hex. countersunk head screw GB/T70.3 M5X10-12.9 Longzine		4	
3	SCM-A-ALL	Base assembly	Assembly	1	
2	SCM-B-ALL	Storage hopper assembly	Assembly	1	
1	SCM-C-ALL	Conveying assembly	Assembly	1	
No.	Material number	Name	Mat.	Num.	Remarks

					制图		版号	0	标题	SCM	图号	SCM-ALL-SZ	比例	1:8	数量	1	
					设计		核准		计量式色母混合机					表面要求		材质	组件
					校对					信易電熱機械股份有限公司 Shini Plastics Technologies, Inc.			物料号				
标记	更改前	更改后	更改人	日期	审核		日期	20210427									



10	YW69616100000	Manual twist screw M6x6x16		4	
9	BH14.129600010	Doser end plate SCM-38-A-09/SGD-A-09		1	
8	SCM-A-03	Fender plate	SUS201	1	
7	SCM-A-10	Base cover	SPCC2.0	1	
6	SCM-A-23	Sight glass	Acryl	1	
5	YW62051000100	Large cross recessed flat head screw JIS1111 M5x10-Longzine		4	
4	BW20000100110	Base SCM-EB-A-01(has mould/processed)		1	
3	YW66081600000	Flat wahser A grade GB/T97.1(8.4x16x1.6)Longzine		4	
2	YW65008000100	Standard spring washer GB/T93 8 Longzine		4	
1	YW60081600000	Hex. bolt GB/T5783 M8x16-12.9- Longzine		4	
No.	Material number	Name	Mat.	Num.	Remarks

					Draw.		Ver.	0	Title	SCM	Drawing no.	SCM-A-ALL	Scale	1:5	Num.	1
					Desi.		App.		Base Assembly					Mat.	Assembly	
					Check		by		信易電熱機械股份有限公司 Shini Plastics Technologies, Inc.			Surface req.				
Mark	Before Mark	After Mod.	Modified by	Date	App.	Date	20210427	Mat No.								

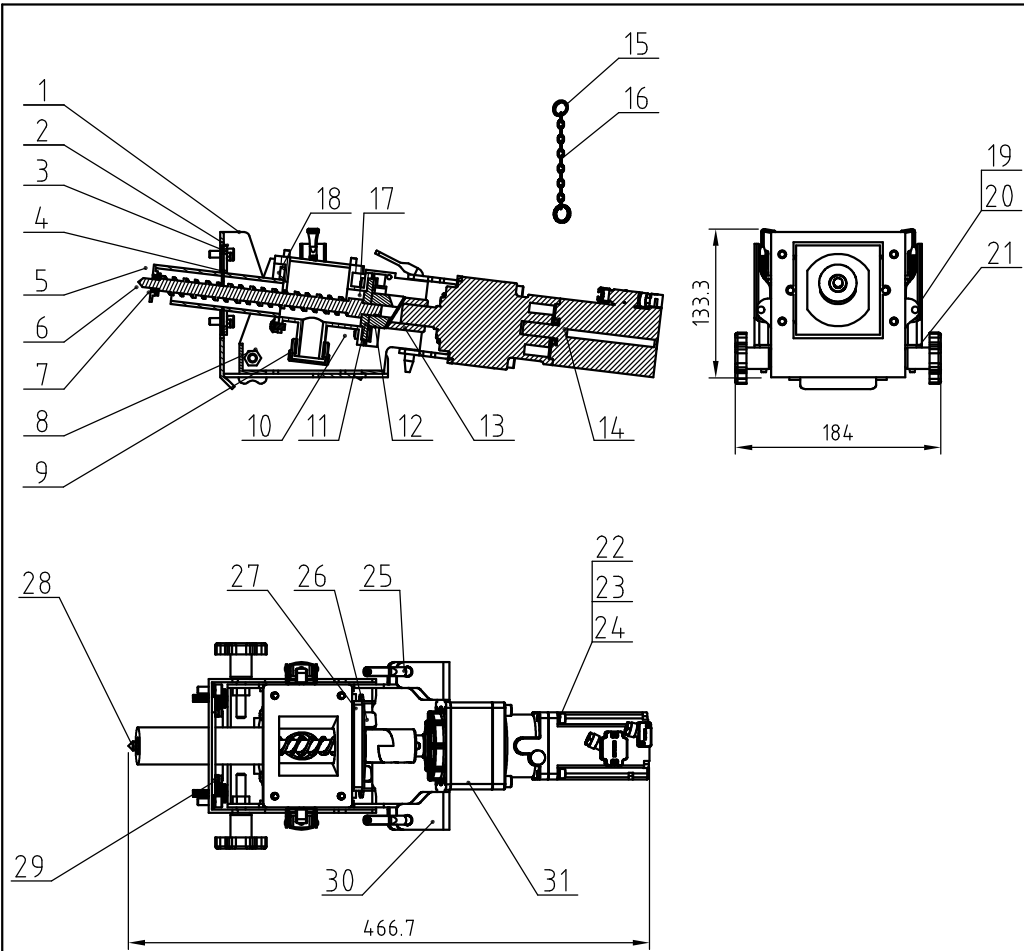


Tech.Req.:

1. Burring;
2. Welding line leveling, welding slag removing;

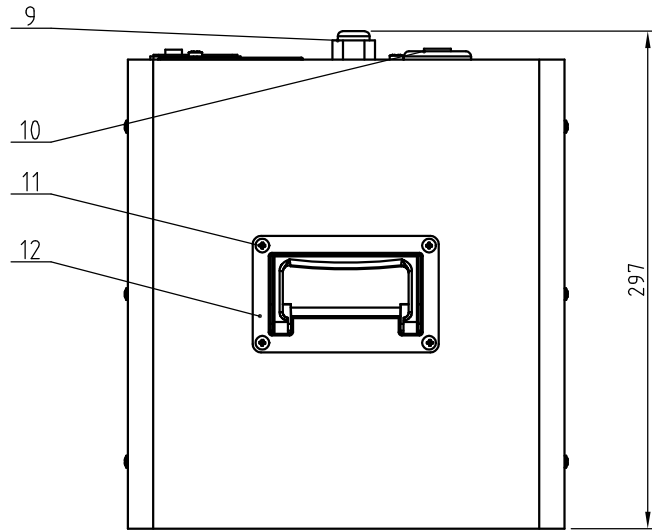
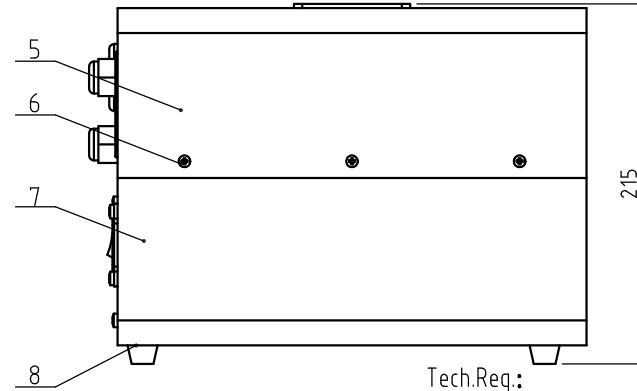
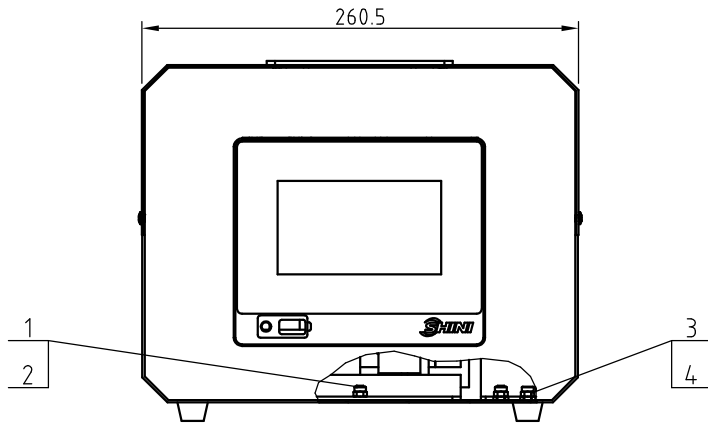
18	SCM-B-05	Hook	SUS201	1	
17	SCM-B-01	Storage hopper welding drawing	SUS201	1	
16	SCM-B-03	Storage hopper cover	SUS201	1	
15	YW64000500000	Hex. lock nut M5 anti-loose		6	
14	YW06380300000	Long hinge SCM-38-D-03/SGD-D-03 (SUS304)	SUS304	1	
13	YW62051000100	Large cross recessed flat head screw JIS1111 M5x10-Longzine		6	
12	SCM-B-02	Hopper connecting plate	SPCC3.0	1	
11	BW09202000000	Square plate SEHD-100-A-09(ver.0)(has mould)		1	
10	YR30301500000	Level sensor plug M30x1.5		1	
9	BR30008400050	Level sensor plug	Acryl	1	
8	YR20162600100	O-type seal ring 106x2.65	Fluororubber	1	
7	YR90380400000	Sight glass SCM-38-B-04/SGD-B-07(PC)(ver.0)	Transparent PC	1	
6	YW66061300000	Flat wahser A grade GB/T97.16 Longzine		6	
5	YW61062500100	Inner hex. screw M6x25		1	
4	YW64006000100	Cap nut M6		3	
3	YW66081600000	Flat wahser A grade GB/T97.1(8.4x16x1.6) Longzine		4	
2	YW65008000100	Standard spring washer GB/T93 8 Longzine		4	
1	YW60081600000	Hexagon bolt GB/T5783 M8x16-12.9- Longzine		4	
No.	Material number	Name	Mat.	Num.	Remarks

					Draw.		Ver.	0	Title	SCM	Drawing no.		Scale	1:6	Num.	1
					Desi		App.		Storage Hopper Assembly		SCM-B-ALL				Mat	Assembly
					Check		by		信易電熱機械股份有限公司 Shini Plastics Technologies, Inc.			Surface req				
Mark	Before Mark	After Mod.	Modified by.	Date	App.	Date	20210427	Mat No								



31	YM50540000100	Xinbao gear box VRSF-5C-K-400-GC II(T3)		1	
30	SCM-C-19	Main box fixed frame 2	SPCC3.0	1	
29	YW64040700100	Non-metal insert hex. lock nut GB/T889.1 M4		4	
28	YW69008000200	Elastic ring for axes use GB/T 894.18		1	
27	SCM-38-C-16	Conveying connection plate	SUS201	1	borrow
26	SCM-38-C-15	Screw fixing plate	SUS201	1	borrow
25	SCM-38-C-21	Motor fixed rotation pin	SUS304	2	borrow
24	YW65005200000	Standard spring washer GB/T93 5 Longzine		4	
23	YW66051000000	Flat wahser A grade GB/T97.15 Longzine		4	
22	YW61050600300	Inner hex. column head screw GB/T70.1 M5x16-12.9 Longzine		4	
21	YR40083500000	Star handle B M8x35	Assembly	2	
20	YW63040600000	Cross socket pan head screw M4x6	4.8	4	
19	YW02003000400	New-type adjustable snap hook	Assembly	2	
18	SCM-38-C-04	Conveying pipe		1	borrow
17	SCM-38-C-14	Screw accessories 3	PTFE	1	borrow
16	YW90120000000	Wire dia. 1.2 steel chain		0.4M	
15	YW00151300000	Stainless steel key ring 1.2x16	SUS201	4	
14	YM10403000400	Servo motor 400W MS1H1-40B30CB-T331Z		1	
13	SCM-C-18-01	Reducer coupler		1	
12	SCM-C-17	Coupler 1	Saigang	1	
11	YW68005500000	Inner hex. flat end lock screw GB/T77-M5-5 Longzine		2	
10	YW63050800000	Cross socket pan head screw M5x8		4	
9	SCM-38-C-28	Screw cap	6061	1	borrow
8	SCM-C-03	Main body fixed frame 1	SPCC3.0	1	
7	SCM-38-C-05	Screw accessories 2	PTFE	1	borrow
6	SCM-38-C-08	Doser screw $\phi 16$	45	1	borrow
5	SCM-C-27	$\phi 16$ screw sleeve	SUS201	1	
4	SCM-38-C-29	Fender rubber 34	Silical gel	1	borrow
3	SGD-C-29	Fender accessories 2	SUS201	1	borrow
2	SGD-C-28	Fender accessories 1	SUS201	1	borrow
1	SCM-C-02	Side fixing frame	SPCC3.0	1	
No.	Material number	Name	Mat.	Num.	Remarks

				20220406	制图		版号	A	标题	SCM	图号	SCM-C-ALL	比例	1:6	数量	1
				20220406	设计		核		输送组合						材质	组件
				20220406	校对		准						表面要求			
标记	更改前	更改后	更改人	日期	审核	日期	20210429			信易电热机械股份有限公司	Shini Plastics Technologies, Inc.	物料号				



Tech.Req.:

1. Burring;

2. Edge blunting

3. Dimensions without tolerance indications shall be in accordance with GB/T1804-m.

12	YW06387300500	Zinc alloy female medium handle		1	
11	YW61040600100	Cross socket countersunk head screw M4x6		4	
10	SCM-E-05	Wire clamp fixed plate	SPCC1.5	1	
9	YE67000940000	Cable lock head PG9		2	
8	YR40121000000	Doser foot pad	Rubber	4	
7	SCM-E-01	Control box	SPCC1.5	1	
6	YW62051000100	Large cross recessed flat head screw M5x10		6	
5	SCM-E-02	Control box cover	SPCC1.2	1	
4	YW64040700100	Non-metal insert hex. lock nut M4		4	
3	SCM-E-04	Electrical mount plate 2	SECC1.5	2	
2	YW64000500000	Hex. nut M5		2	
1	SCM-E-03	Electrical mount plate 1	SECC1.5	1	
No.	Material number	Name	Mat.	Num.	Remarks

					Draw.		Ver.	0	Title	SCM	Drawing no.	SCM-E-ALL-SZ	Scale	1:4	Num.	1
					Desi.		App.		电箱组合					Mat.		
					Check		by		信易電熱機械股份有限公司 Shini Plastics Technologies, Inc.			Surface req.	Assembly			
Mark	Before Mark	After Mod.	Modified by	Date	App.		Date	20210427				Mat No.				