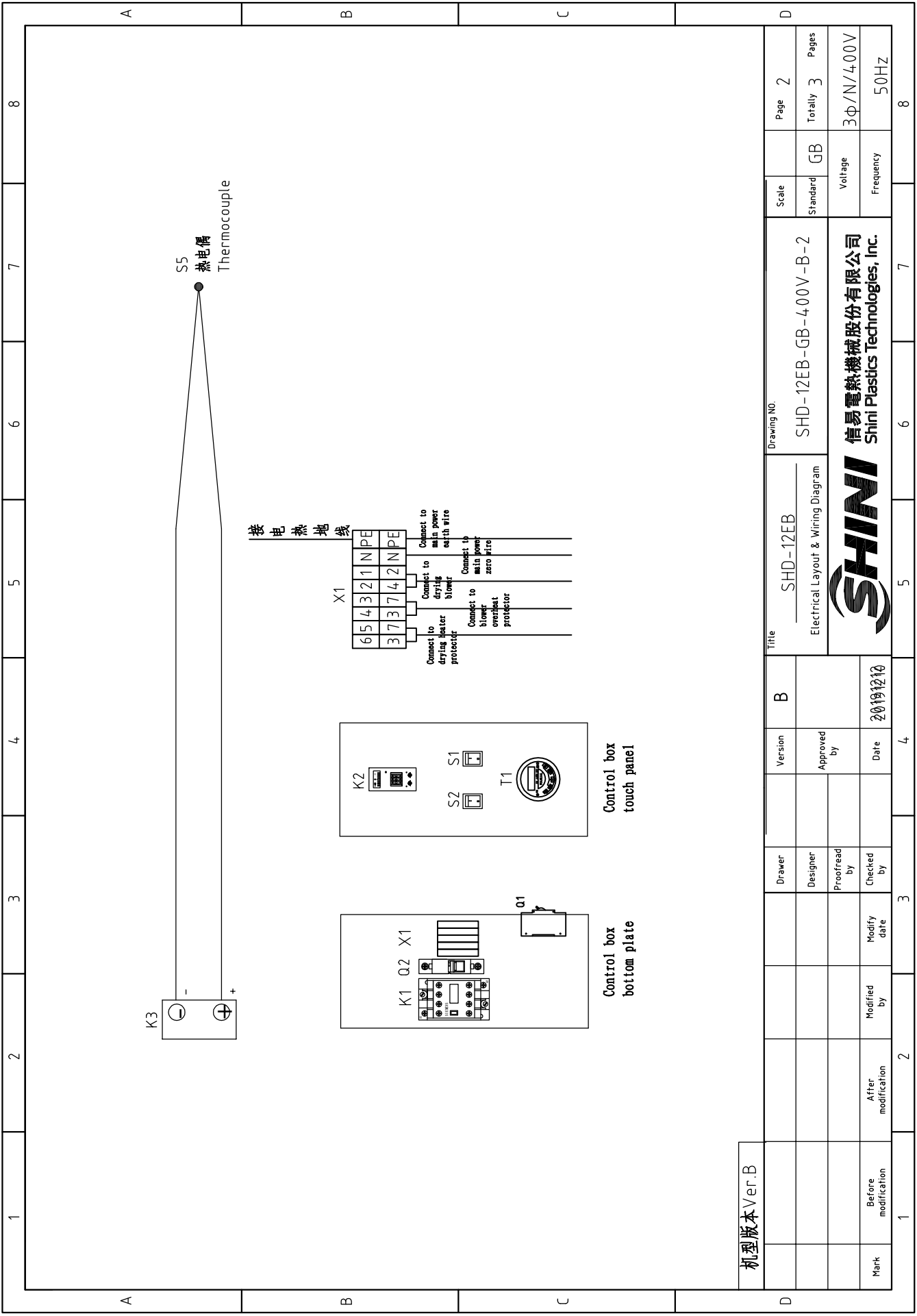




Notes: 1.M1 is the overheat protector of drying blower.
2.N wire should be blue.

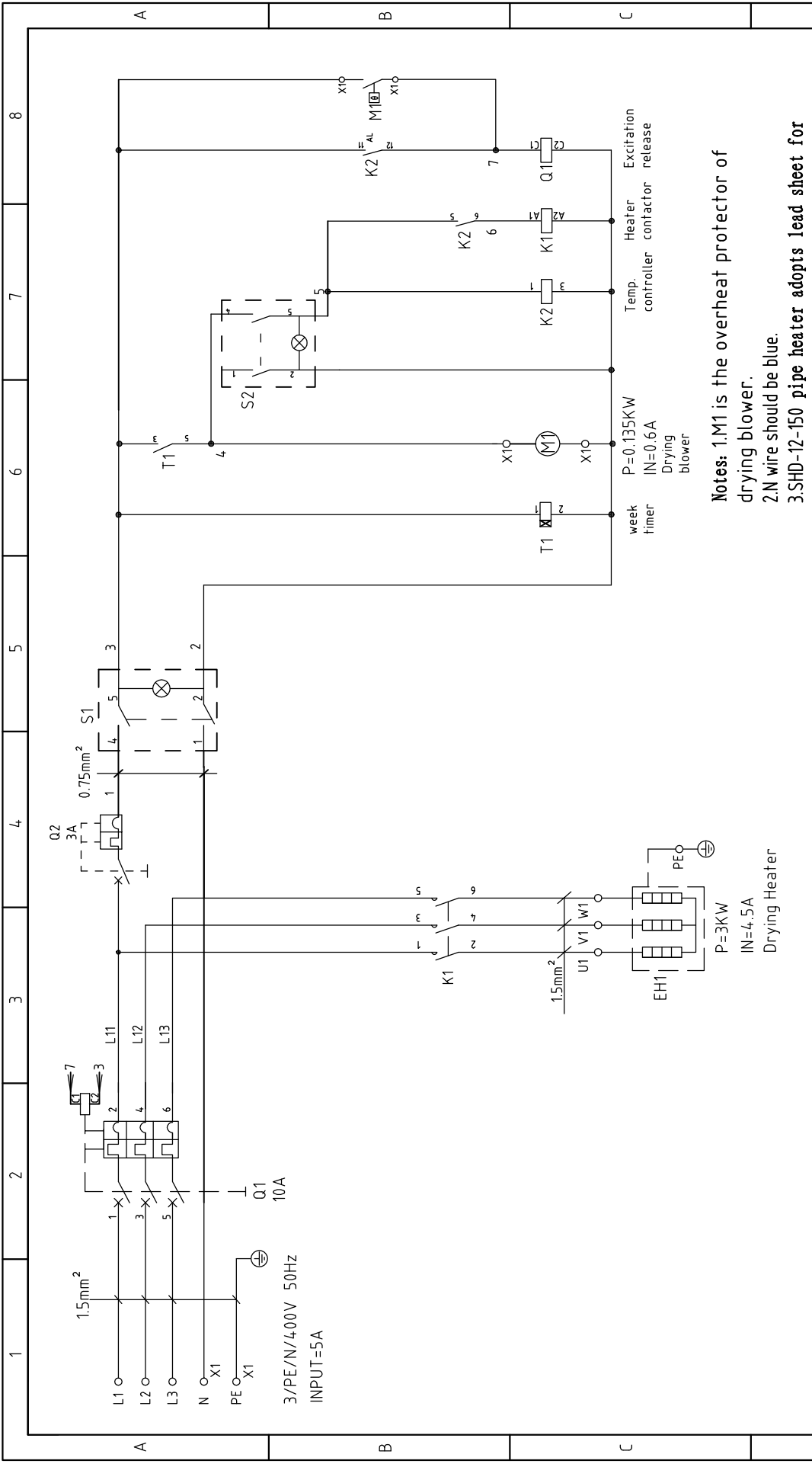
机型版本 Ver.B		Title		Scale		Page 1	
Version		SHD-12EB		Standard		Totally 3	
Approved by		Electrical Principle		GB		Pages	
Date		SHD-12EB-GB-4.00V-B-1		Voltage		3Φ/N/400V	
20191210		SHINI		Frequency		50HZ	
SHINI		信易电热机械股份有限公司		Shini Plastics Technologies, Inc.			
1		2		3		4	
5		6		7		8	



机型版本 Ver.B

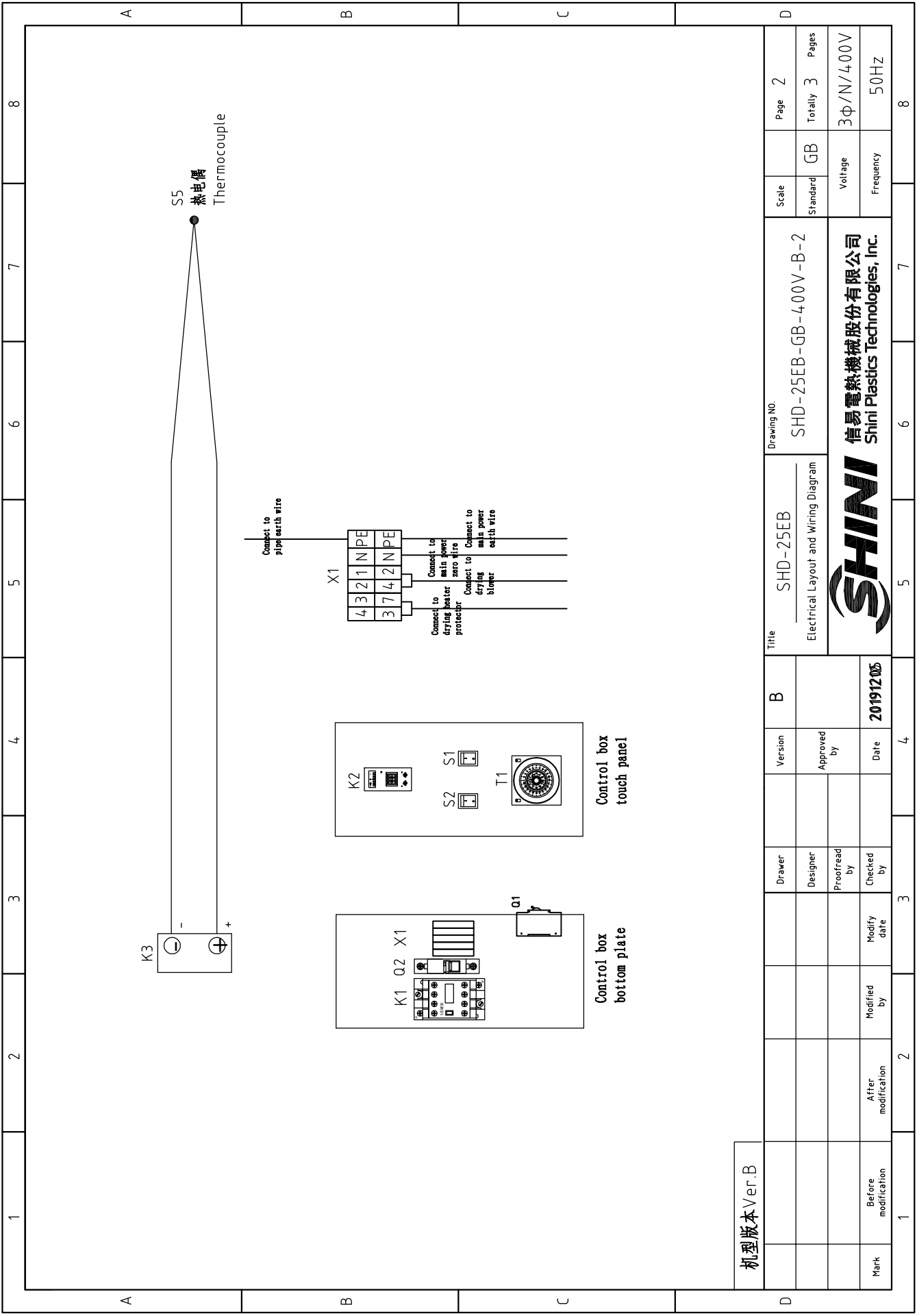
Mark	Before modification	Modified by	Modify date	Date	Approved by	Version	Title	Drawing NO.	Page	Frequency	
	After modification	Modified by	Modify date						20191210		GB
								SHD-12EB-GB-400V-B-2	3	2	50HZ
								 信易电热机械股份有限公司 Shini Plastics Technologies, Inc.			

1	2		3		4	5		6	7	8	
NO.	Symbol	Name	Manufacturer	Type	Specification	Number	Material number	Remark			
1	Q1	Circuit-breaker	TECO	BM-63C/3006S	6A/3P	1	YE40300603000				
2		Excitation release	YUJIN	MX	110V-400V 50/60Hz	1	YE40023560000				
3	K1	Contact	SIEMENS	3RT6016-1ANZ1	220V 50/60Hz	1	YE00601621000				
4	K2	Temp. Controller	RONGDA	0-199℃	110V/220V 50/60Hz	1	YE850199000300				
5	T1	week timer	SHINI	TM69-2	220V 50/60Hz	1	YE86061900100				
6	Q2	Circuit breaker	TECO	BM-63C/1003S	3A 1P	1	YE40100203000				
7	S1 S2	Control switch	ZHONGXUN	T120/55	4P (WH)	2	YE10210400000				
8	S5	Thermocouple	SHINI	K TYPE	----	1	----	(1)			
9	M1	Blower	LONGFENG	0.075kW	230V 50/60Hz	1	----	(1)			
10	EH1	Heater	SHINI	2.2KW	400V 50/60Hz	1	----	(1)			
11	S4	Overheat protector	TONGBAO	KSD301-105	15A	1	----	(1)			
12	X1	Terminal board	HONEYWELL	SK2.5	2.5mm ²	7	YE60002503200				
13		Barth terminal board	HONEYWELL	GK2.5	2.5mm ² PE	1	YE60002503400				
14		Terminal fittings E/GK series	HONEYWELL	E	GK series	2	YE60000003900				
A											
B											
C											
D											
机型版本 Ver.B Notes: (1)Materials not in the control box;											
			Drawer	Version	Title	Scale		Page			
			Designer	B	SHD-12EB	SHD-12EB-GB-400V-B-3		GB		3	
			Proofread by	Approved by	Electrical Parts List		Voltage		Totally		
			Checked by	Date	SHINI		3Φ/N/400V		3		
			Modify date	20191210	 信易电热机械股份有限公司 Shini Plastics Technologies, Inc.		Frequency		50Hz		
Mark	Before modification	After modification	Modified by	2	3	4	5	6	7	8	



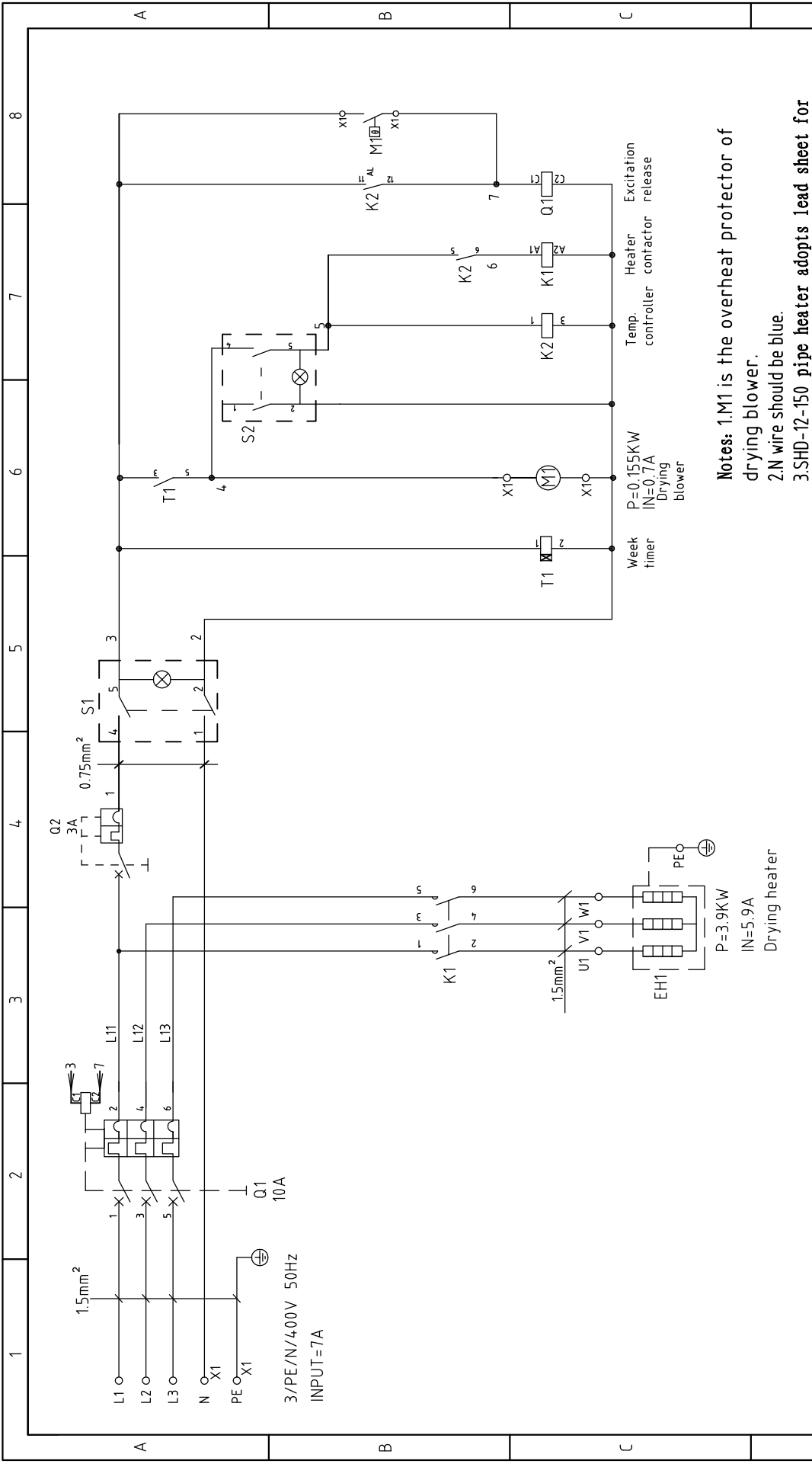
Notes: 1.M1 is the overheat protector of drying blower.
 2.N wire should be blue.
 3.SHD-12-150 pipe heater adopts lead sheet for overheat protection.

机型版本 Ver.B	Drawing NO.		Scale	Page 1
	SHD-25EB		Standard	Totally 3
	Electrical Principle		GB	Pages
	SHD-25EB-GB-400V-B-1		Voltage	3Φ/N/400V
			Frequency	50HZ
Mark	Before modification	Modified by	Modify date	
	Designer	Proofread by	Checked by	
	Version	Approved by	Date	
	B		20191205	
	Title	SHD-25EB		
	Electrical Principle			
SHINI		信易电热机械股份有限公司 Shini Plastics Technologies, Inc.		
1	2	3	4	5
6	7	8		




机型版本 Ver.B

Mark	Before modification	Modified by	Modify date	Checked by	Date	Approved by	Version	Title	Drawing NO.	Scale	Page
	After modification	Modified by	Modify date							Standard	Totally
								SHD-25EB Electrical Layout and Wiring Diagram	SHD-25EB-GB-400V-B-2	GB	2
								SHINI 信易电热机械股份有限公司 Shini Plastics Technologies, Inc.		Voltage	3Φ/N/400V
										Frequency	50Hz
1	2	3	4	5	6	7	8				

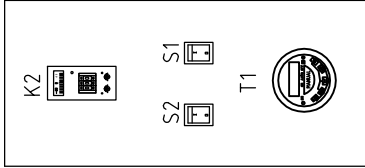
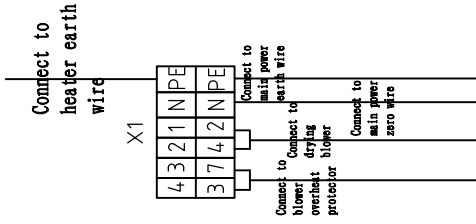
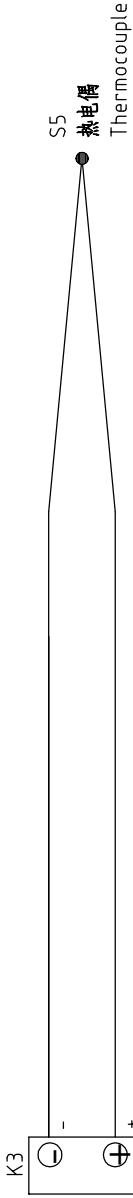


Notes: 1.M1 is the overheat protector of drying blower.
 2.N wire should be blue.
 3.SHD-12-150 pipe heater adopts lead sheet for overheat protection.

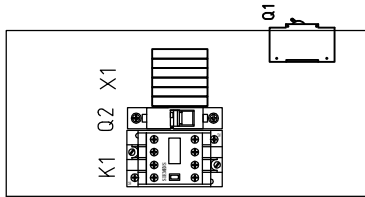
机型版本 Ver.B

D	Title		SHD-50EB		Drawing NO.		Scale		Page 1	
	Electrical Principle		SHD-50EB-GB-400V-B-1		Standard		GB		Totally 3 Pages	
Mark	Before modification	After modification	Modified by	Modify date	Checked by	Proofread by	Designer	Drawer	Version	B
				20191204						
										
信易电热机械股份有限公司 Shini Plastics Technologies, Inc.										
Voltage		3φ/N/400V		Frequency		50Hz				
1 2 3 4 5 6 7 8										

1 2 3 4 5 6 7 8



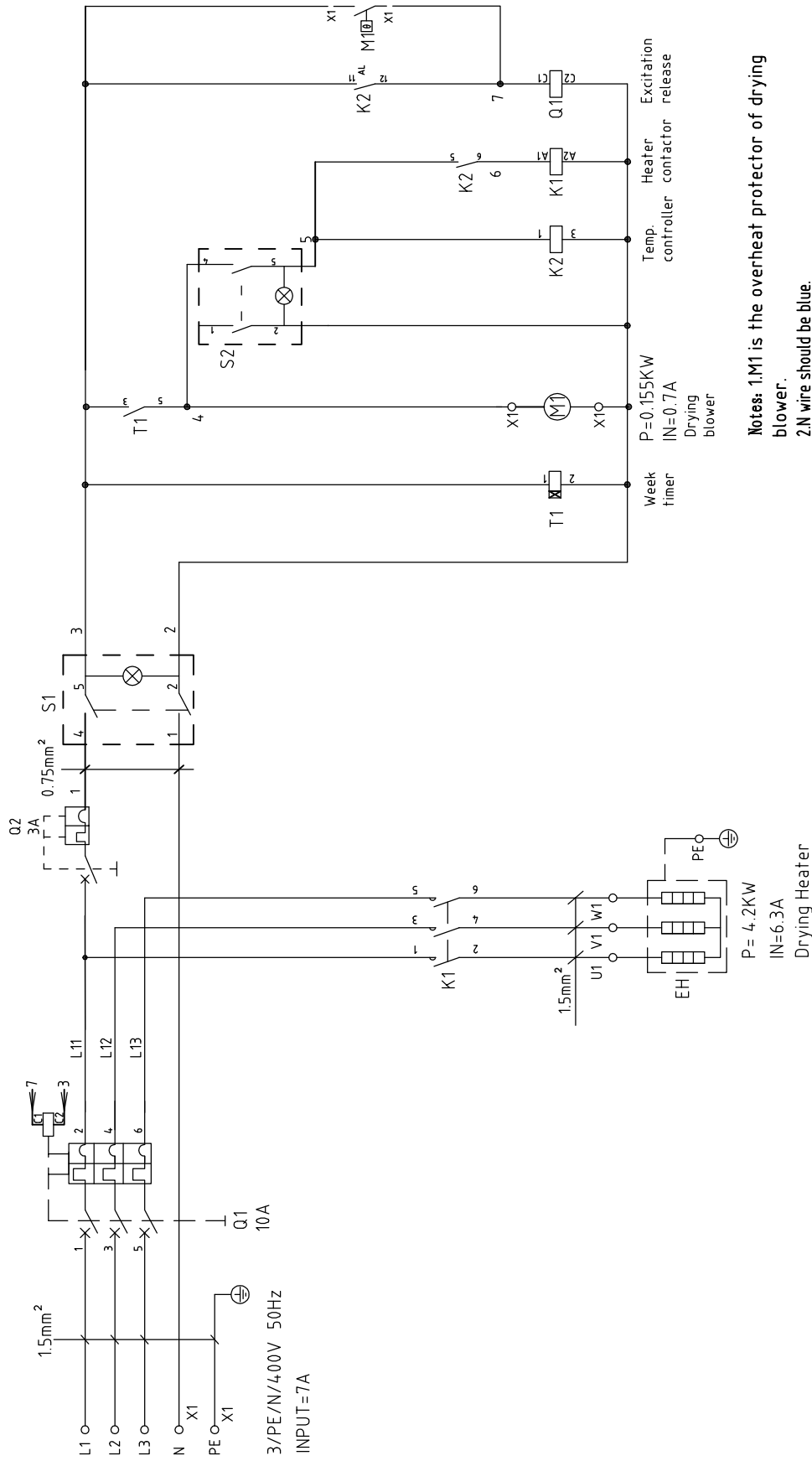
Control box touch panel



Control box bottom plate

机型版本 Ver.B																				
Mark	Before modification	Modified by	Modify date	Checked by	Proofread by	Designer	Drawer	Version	B	Title		SHD-50EB		Drawing NO.		SHD-50EB-GB-400V-B-2		Scale	Page	
											Elec. Layout and Wiring Diagram		Standard		GB		Standard	Totally	Pages	
											信易电热机械股份有限公司 Shini Plastics Technologies, Inc.		Voltage		3Φ/N/400V		Frequency	50Hz	2	
											SHINI		Date		20191204				3	8

1 2 3 4 5 6 7 8



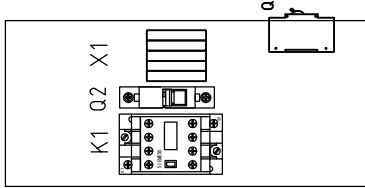
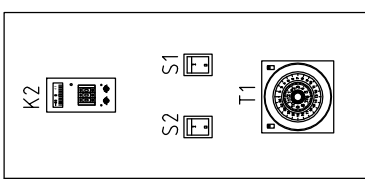
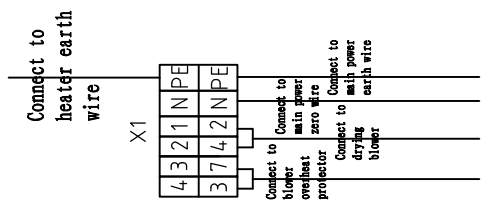
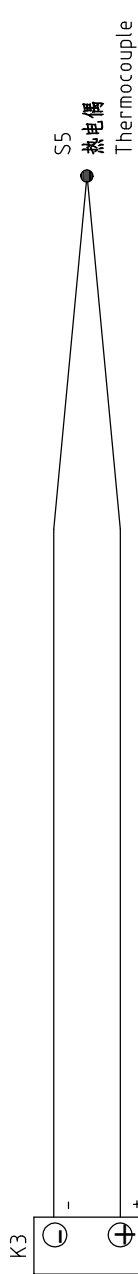
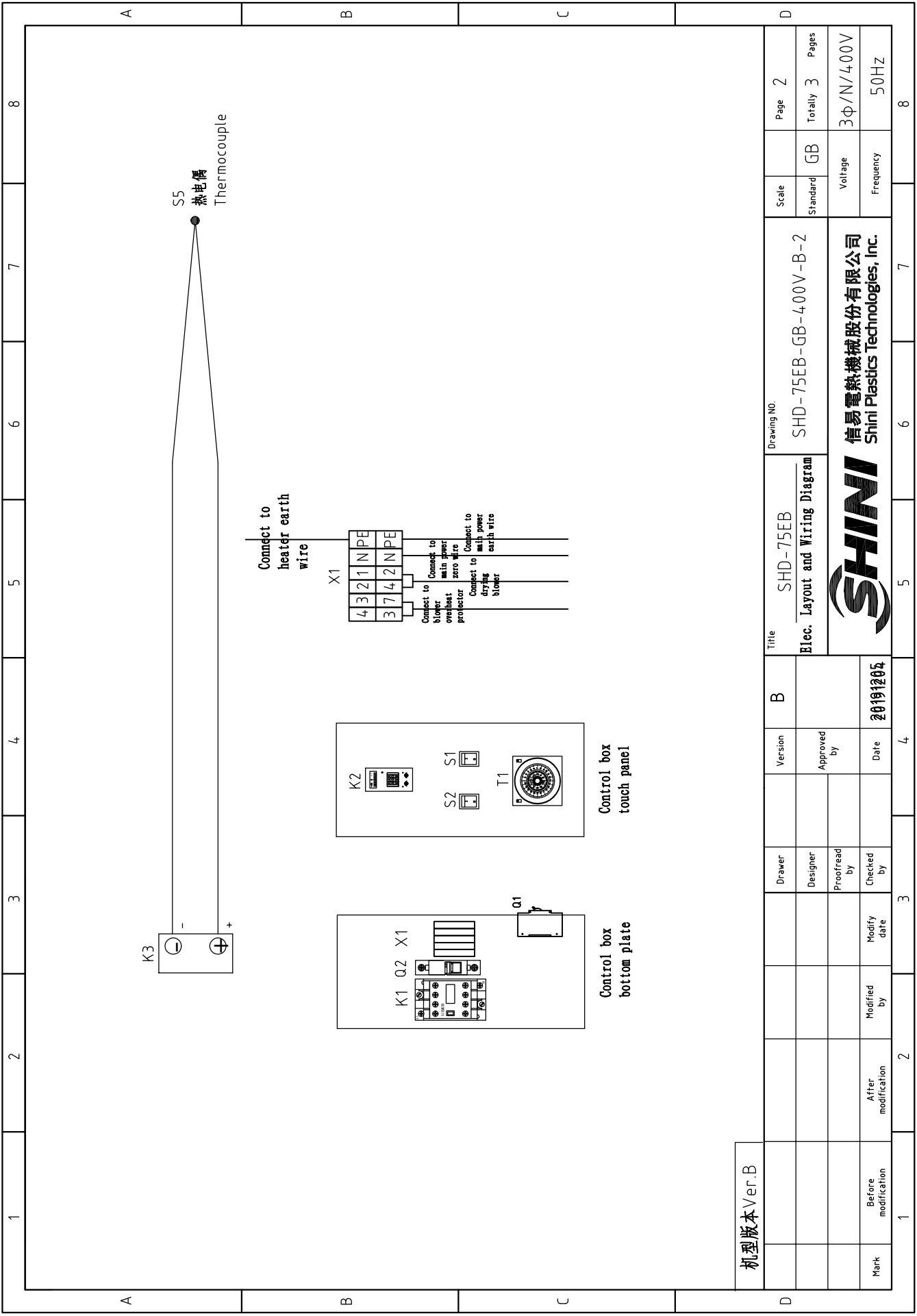
Notes: 1.M1 is the overheat protector of drying blower.
 2.N wire should be blue.
 3.SHD-12-150 pipe heater adopts lead sheet for overheat protection.

机型版本 Ver.B

Title		SHD-75EB		Drawing NO.		Page 1	
Electrical Principle		SHD-75EB-GB-400V-B-1		Standard		GB	
Version		B		Voltage		3Φ/N/400V	
Approved by		20191208		Frequency		50Hz	
Designer		Date		Totally		3	
Proofread by		Date		Pages		3	
Checked by		Date		Voltage		3Φ/N/400V	
Modified by		Date		Frequency		50Hz	
After modification		Date		Frequency		50Hz	
Before modification		Date		Frequency		50Hz	
Mark		Date		Frequency		50Hz	



信易电热机械股份有限公司
 Shini Plastics Technologies, Inc.



机型版本 Ver.B

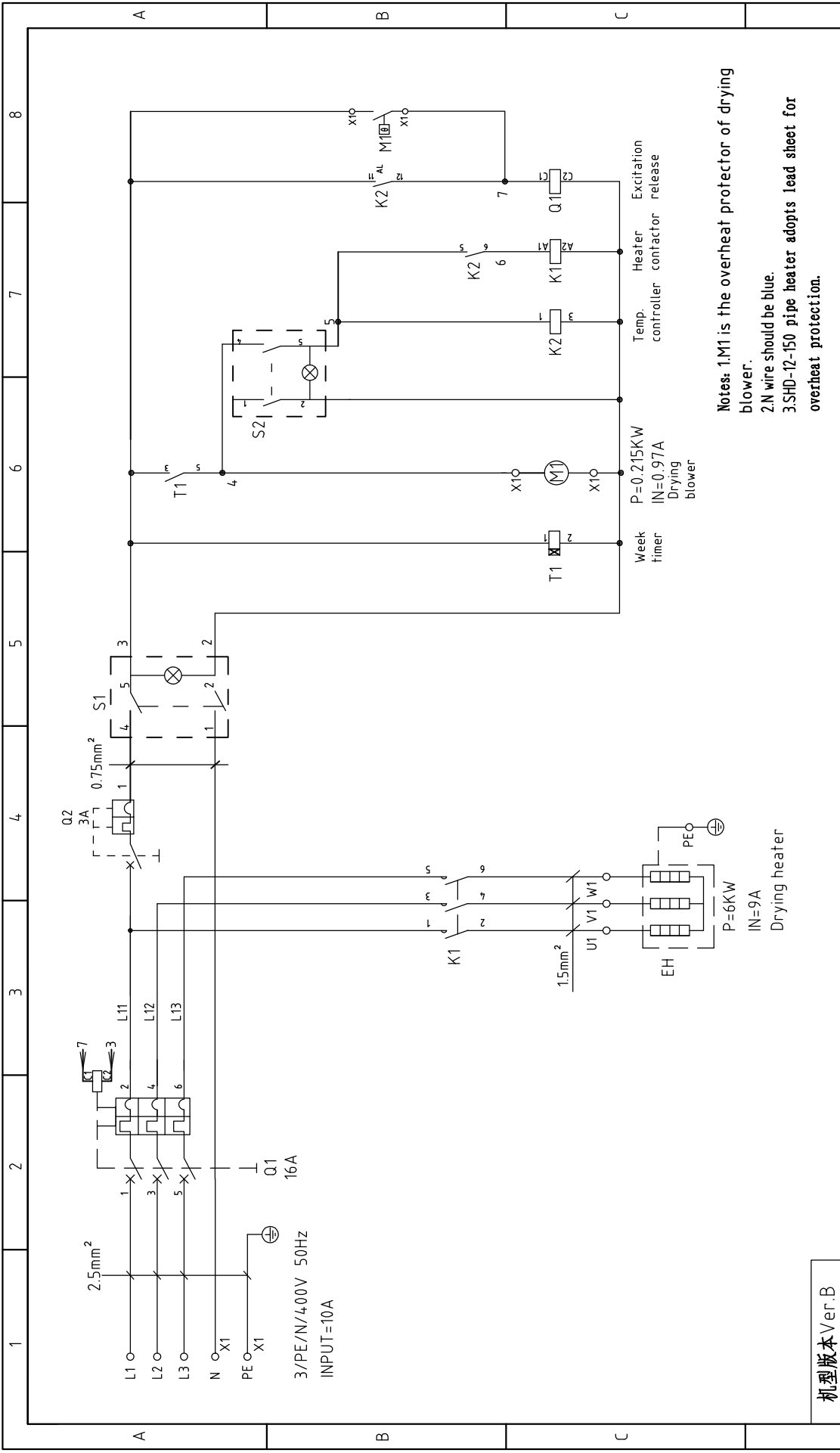
Mark	Before modification	Modified by	Modify date	Checked by	Date	Approved by	Version	B	Title	SHD-75EB Elec. Layout and Wiring Diagram	Drawing NO. SHD-75EB-GB-400V-B-2	Scale	Page 2
	After modification	Modified by	Modify date									Standard	Totally 3 Pages
												Voltage	3Φ/N/400V
												Frequency	50HZ
1	2	3	4	5	6	7	8						8



信易电热机械股份有限公司
Shini Plastics Technologies, Inc.

1	2		3	4	5	6	7	8
NO.	Symbol	Name	Manufacturer	Type	Specification	Number	Material number	Remark
1	Q1	Circuit-breaker	TECO	BM-63C/3010S	10A/3P	1	YE40301003000	
2		Excitation release	YUJIN	MX	230V 50/60Hz	1	YE40023560000	
3	K1	Contacto	SIEMENS	3RT6016-1ANZ2	220V 50/60Hz	1	YE00601622000	A
4	K2	Temp. Controller	RONGDA	0-199°C	110V/220V 50/60Hz	1	YE85019900300	
5	T1	Week timer	SHINI	24H A-TB-72-D	220V 50/60Hz	1	YE86061900100	
6	Q2	Circuit-breaker	TECO	BM-63C/1003S	3A 1P	1	YE40100203000	
7	S1 S2	Control switch	ZHONGXUN	T120/55	4P (WH)	2	YE10210400000	
8	S5	Thermocouple	SHINI	K TYPE	----	1	----	(1)
9	M1	Blower	LONGFENG	0.155kW	230V 50/60Hz	1	----	(1)
10	EH1	Heater	SHINI	4.2KW	400V 50/60Hz	1	----	(1)
11	X1	Terminal board	HONEYWELL	SK2.5	2.5mm ²	5	YE60002503200	B
12		Barth terminal board	HONEYWELL	GK2.5	2.5mm ² PE	1	YE60002503400	
13		Terminal fittings B/GK (honeywell)	HONEYWELL	E	GK series	1	YE60000003900	
机版本 Ver.B								
D				Version	Title		Scale	Page
				B	SHD-75EB		Standard	3
				Approved by	SHD-75EB-GB-400V-B-3		GB	Totally 3
				Date	Electrical Parts List 1		Voltage	Pages
				20191205	SHINI		3Φ/N/400V	3
				Checked by	信易電熱機械股份有限公司		Frequency	50Hz
				Modify date	Shini Plastics Technologies, Inc.			
1	2	3	4	5	6	7	8	

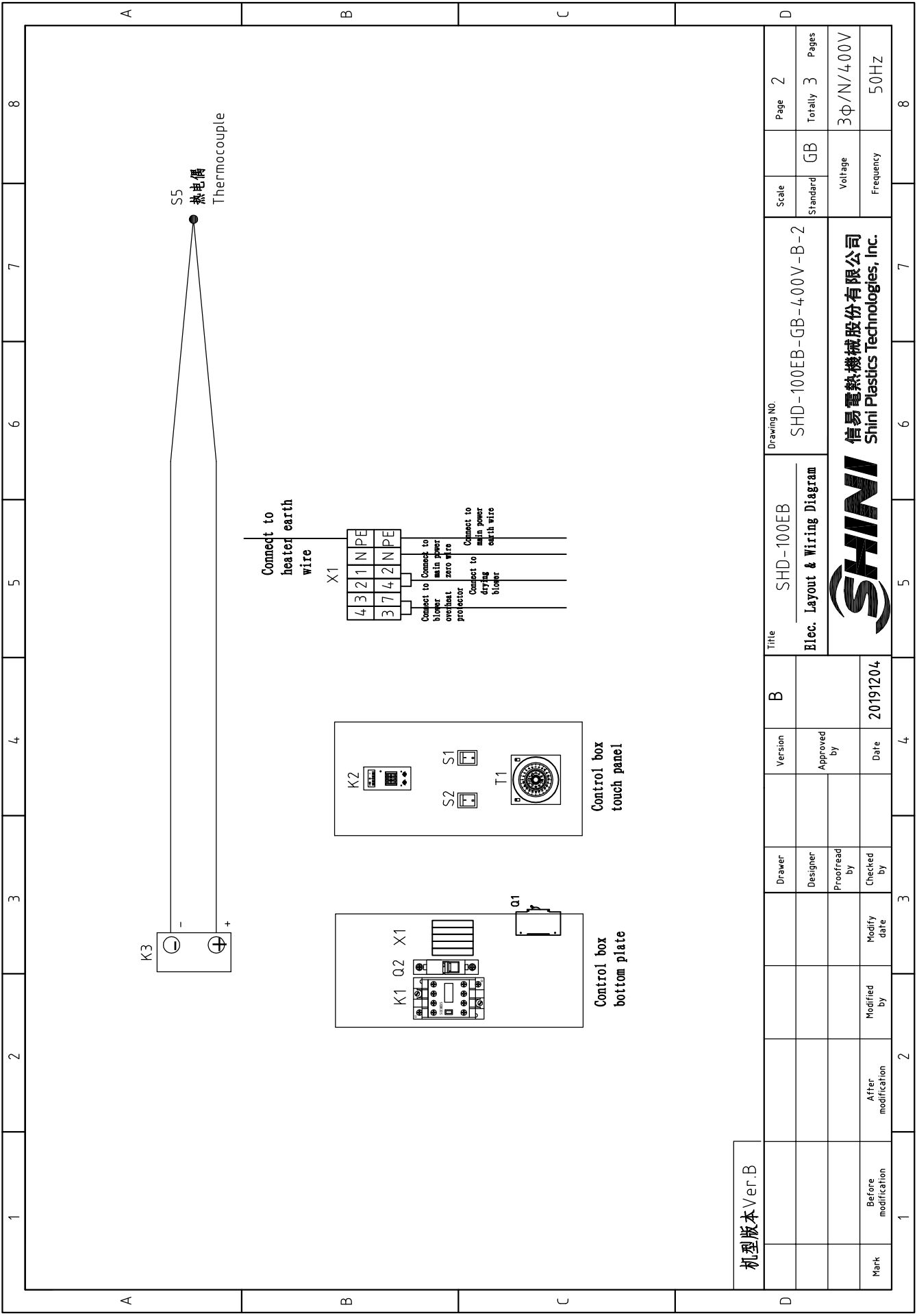
1	2		3	4	5	6	7	8
NO.	Symbol	Name	Manufacturer	Type	Specification	Number	Material number	Remark
1		Guide rail H66-TR*1M(plated color zinc)			BA	0.11	YE90660100000	
2		Terminal sleeve/insert 6.3(2000pcs/pack)			PAC	0.006	YE6000634.0000	
3		Terminal 1.25-4Y thickness 0.7 (1000PCS/pack)			PAC	0.011	YE6010044.0200	A
4		Terminal 2-4Y thickness 0.7 (1000PCS/pack)			PAC	0.006	YE6020044.0100	
5		Terminal 3-5R(500pcs/pack)			PAC	0.006	YE603054.00000	
6		Terminal 3.5-5Y thickness 1.0 (500PCS/pack)			PAC	0.006	YE6030054.0200	
7		Terminal 1.25-75S(FDNI-250 insert spring/1000pcs/pack)			PAC	0.011	YE601254.40000	
8		Cable 0.75*1C*200M red			M	7.7	YE50750100000	
9		Tubular terminal E1008			PLS	7	YE60100800200	
10		Marked sleeve 2.5mm(100M/roll)			RL	0.02	YR7000254.0200	
11		Marked sleeve 1.5MM(100M/roll)			RL	0.03	YR70151000000	B
12		Bundle wire 2.5*100mm(1000pcs/pack)			PAC	0.04	YR90310000000	
13		Cable 0.75*1C blue			M	5	YE50750100600	
14		Cross socket pan head screw GB/T-818 M6x10-Longzine			PLS	4	YW62061000000	
15		Flat gasket A grade GB/T97.1 4(4.5x9x0.8)-Longzine			PLS	2	YW6604.1000000	
16		Cable 1.5*1C black/soft wire			M	1.4	YE50015100000	
17		Cable 1.5*5C*4M			BA	1	BES1154.700050	(1)
18		Lead sheet 5.2*26*3.0(SHD-75-B-03 B ver.)			PLS	2	YW09522600100	For customer service
C								
D								
机型版本 Ver.B			Notes: (1)Materials not in the control box;		Title		Drawing NO.	
			Version		SHD-75EB		SHD-75EB-GB-400V-B-3/1	
			Designer		Electrical Parts List 2		Scale	
			Approved by		SHINI		Standard	
			Proofread by				GB	
			Checked by		20191204		Voltage	
Mark			Before modification		Date		Frequency	
			Modify date				3Φ/N/400V	
			Modified by				50HZ	
1			2		3		4	
5			6		7		8	
Page 3/1			Totally 3		Pages			



- Notes:
- 1.M1 is the overheat protector of drying blower.
 - 2.N wire should be blue.
 - 3.SHD-12-150 pipe heater adopts lead sheet for overheat protection.

机型版本 Ver.B

1		2		3		4		5		6		7		8	
A		B		C		D		Scale		Page 1		Standard		Totally 3 Pages	
Drawing NO.		SHD-100EB		Electrical Principle		SHD-100EB-GB-4.00V-B-1		Voltage		Frequency		3Φ/N/4.00V		50Hz	
Title		Version		Approved by		Date		SHINI		信易電熱機械股份有限公司		Shini Plastics Technologies, Inc.			
Mark		After modification		Modified by		Modify date		20191204							
P=0.215KW IN=0.97A Drying blower		P=6KW IN=9A Drying heater													



机型版本 Ver.B

D	Title		SHD-100EB		Drawing NO.		SHD-100EB-GB-400V-B-2		Scale		Page 2	
	Elec. Layout & Wiring Diagram								Standard		Totally 3 Pages	
Mark	Before modification	Modified by	Modify date	Checked by	Proofread by	Designer	Drawer	Version	B	SHINI 信易電熱機械股份有限公司 Shini Plastics Technologies, Inc.		
	After modification	Modified by	Modify date	Checked by	Proofread by	Designer	Drawer	Version	B	Voltage Frequency		
1	2	3	4	5	6	7	8	3Φ/N/400V		50HZ		

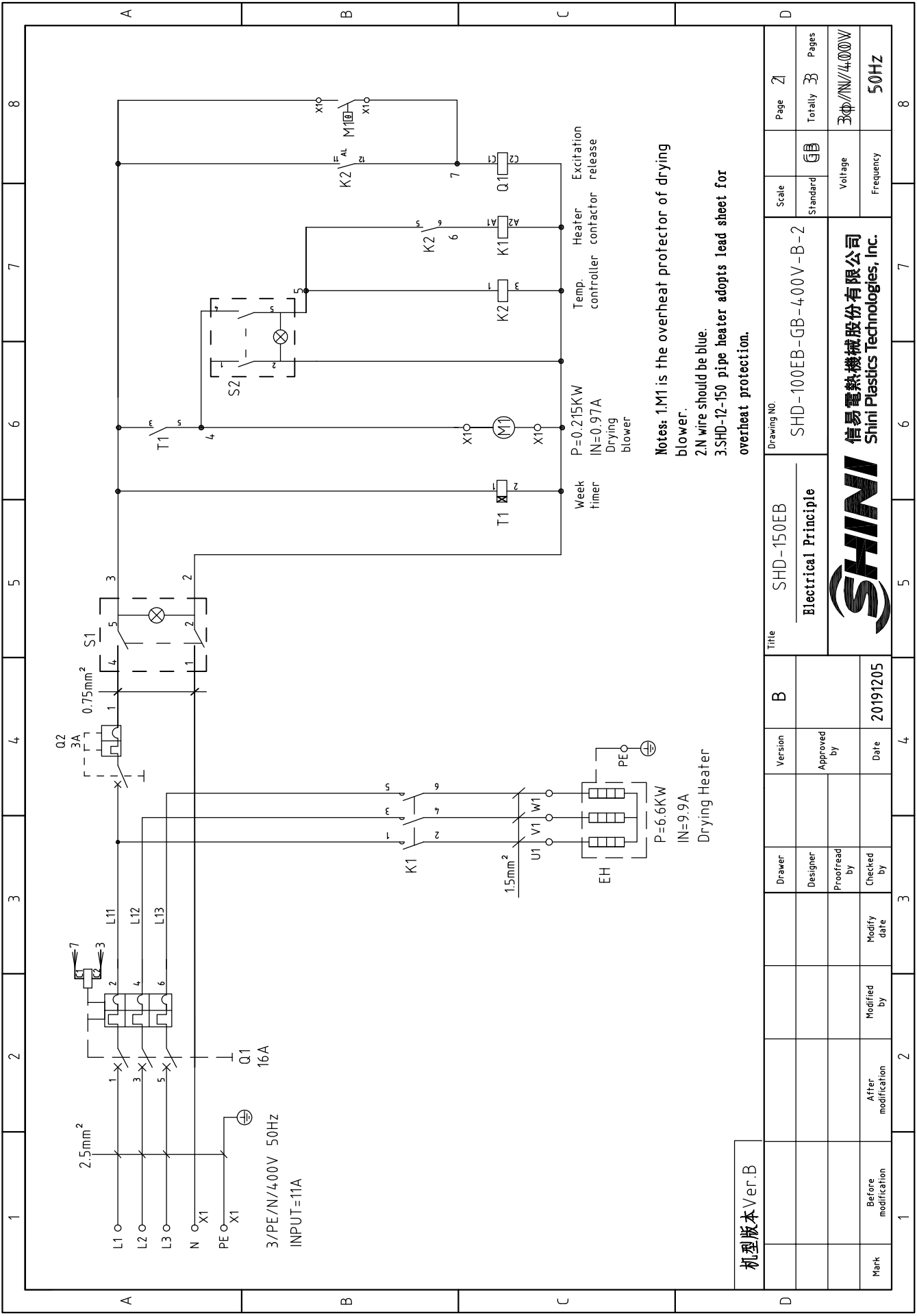
1	2		3	4	5	6	7	8
NO.	Symbol	Name	Manufacturer	Type	Specification	Number	Material number	Remark
1	Q1	Circuit-breaker	TECO	BM-63C/3016S	16A 3P	1	YE40301603000	
2		Excitation release	YIJIN	MX	230V 50/60Hz	1	YE40023560000	
3	K1	Contactor	SIEMENS	3RT6026-1AN20	220V 50/60Hz	1	YE00602622000	
4	K2	Temp. controller	RONGDA	0-199°C	110V/220V 50/60Hz	1	YE850199000300	
5	T1	Week timer	SHINI	24H A-TB-72-D	230V 50/60Hz	1	YE86061900100	
6	Q2	Circuit-breaker	TECO	BM-63C/1003S	3A 1P	1	YE40100203000	
7	S1 S2	Control switch	ZHONGXUN	T120/55	4P (WH)	2	YE10210400000	
8	S5	Thermocouple	SHINI	K TYPE	--	1	----	(1)
9	M1	Blower	LONGFENG	0.215KW	230V 50/60Hz	1	----	(1)
10	EH1	Heater	SHINI	6KW	380V 50/60Hz	1	----	(1)
11	X1	Terminal board	Honeywell	SK2.5	2.5mm ²	7	YE60002503200	
12		Barth Terminal board	HONEYWELL	GK2.5	2.5mm ² PE	1	YE60002503400	
13		Terminal fittings E/GK series	HONEYWELL	E	GK series	2	YE60000003900	
A								
B								
C								
D								
机型版本 Ver.B			Notes: Materials not in the control box.					
Mark			Before modification	Modified by	Modify date	Checked by	Proofread by	Designer
			After modification	20191204	Date	Approved by	Version	B
			Title		SHD-100EB		Drawing NO.	
					SHD-100EB-GB-400V-B-3		SHD-100EB-GB-400V-B-3	
			Scale		GB		Page 3	
			Standard		Voltage		Totally 3 Pages	
			Frequency		3Φ/N/400V		50HZ	
			SHINI		信易电热机械股份有限公司 Shini Plastics Technologies, Inc.			
			5		6		7	
			4		8		8	

1	2	3	4	5	6	7	8	
No.	Symbol	Name	Manufacturer	Type	Specification	Number	Material number	Remark
1		Guide rail H66-TR*1M(plated color zinc)			BA	0.12	YE90660100000	
2		Terminal sleeve/insert 6.3(200pcs/pack)			PAC	0.006	YE60006340000	
3		Cable 0.75*1C*200M red			M	10	YE50750100000	A
4		Terminal 1.25-4Y thickness 0.7 (1000PCS/pack)			PAC	0.01	YE60100440200	
5		Terminal 2-4Y thickness 0.7 (1000PCS/pack)			PAC	0.006	YE60200440100	
6		Terminal 1.25-75S(FDNI)-250 insert spring/1000pcs/pack			PAC	0.011	YE60125440000	
7		Terminal 3-SR(500pcs/pack)			PAC	0.006	YE60305400000	
8		Terminal 3.5-5Y thickness 1.0 (500PCS/pack)			PAC	0.006	YE60300540200	
9		Tubular terminal E1008			PLS	3	YE60100800200	
10		Marked sleeve 4mm(100M/roll)			RL	0.02	YR70004000200	
11		Marked sleeve 1.5MM(100M/roll)			RL	0.03	YR70151000000	B
12		Bundle wire 2.5*100mm(1000pcs/pack)			PAC	0.04	YR90310000000	
13		Cross socket pan head screw GB/T-818 M4x6-Longzinc			PLS	2	YW63040600000	
14		Flat gasket A grade GB/T97.1 4(4.5x9x0.8)-Longzinc			PLS	2	YW66041000000	
15		Cable 1.5*1C black/software			M	1.6	YE50015100000	
16		Cable 0.75*1C blue			M	5	YE507501000600	
17		Cable 2.5*5Cx4M			BA	1	BE51250600050	(1)
18		Lead sheet 5.2*26*3.0(SHD-75-B-03 B ver.)			PCS	2	YW09522600100	customer service

机型版本 Ver.B	Notes: Materials not in the control box.	Drawing NO.	SHD-100EB-GB-400V-B-3/1	Scale	GB	Page	3/1
		Title	SHD-100EB	Standard	GB	Totally	3 Pages
		Version	B	Voltage	3φ/N/4.00V	Frequency	50HZ
Mark	Before modification	Modified by	20191204	Date			
		Designer		Approved by			
		Proofread by		Date			
		Checked by		Date			
		Drawer		Date			
		Modified date		Date			
		Modify date		Date			
		After modification		Date			
		Modified by		Date			
		2		4			
		3		5			
		6		7			
		8		9			



信易电热机械股份有限公司
Shini Plastics Technologies, Inc.

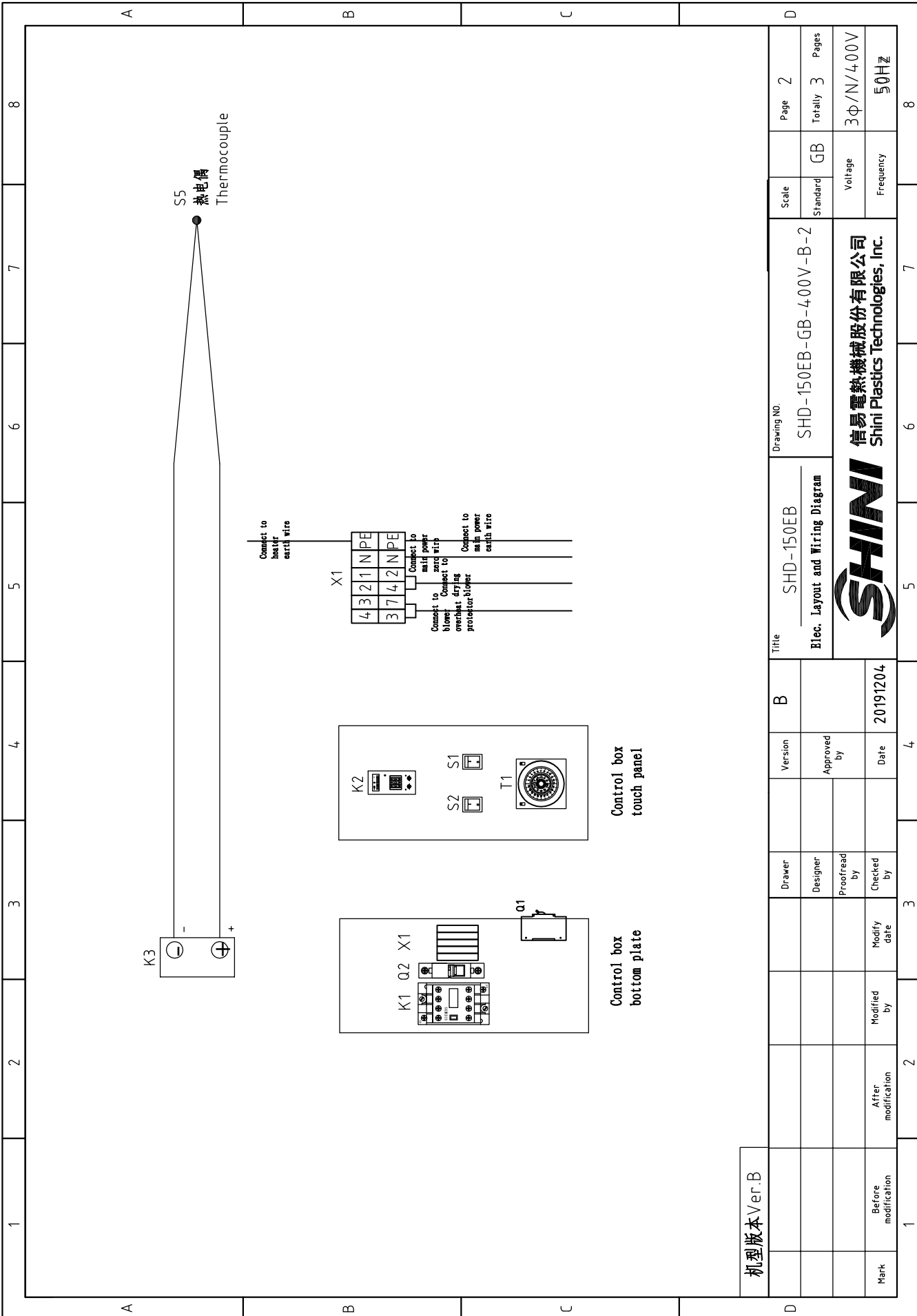


机型版本 Ver.B	
Mark	Before modification
	After modification
	Modify date
	Checked by
	Proofread by
	Designer
	Drawer
	Version
	Approved by
	Date
	20191205

Title		SHD-150EB	
Electrical Principle		SHD-100EB-GB-400V-B-2	
Drawing NO.		SHD-100EB-GB-400V-B-2	
Scale		Standard	
Page		21	
Totally		33	
Pages		30	
Voltage		3Φ/3N/4.00V	
Frequency		50HZ	



信易电热机械股份有限公司
 Shini Plastics Technologies, Inc.



机型版本 Ver.B

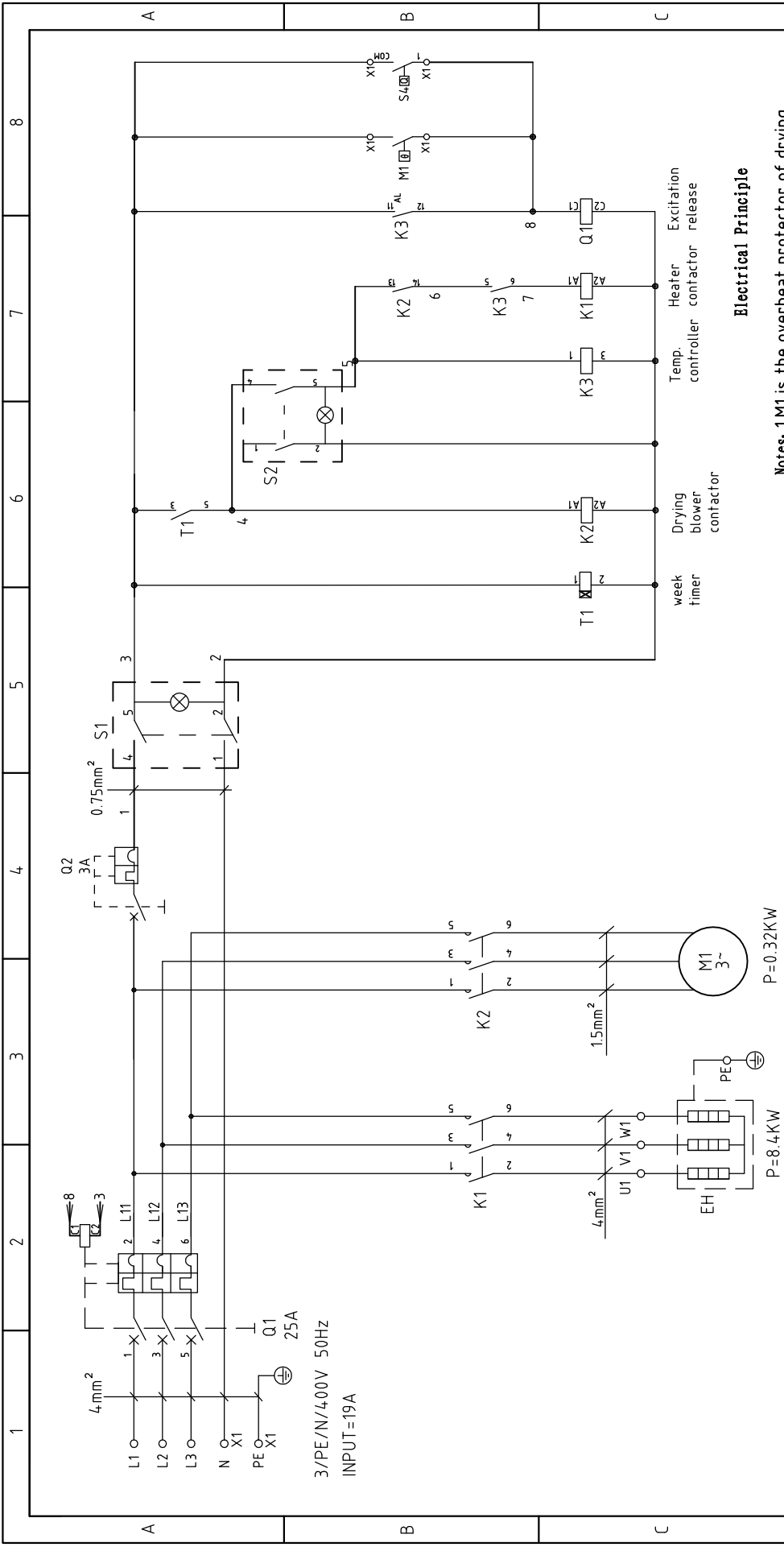
1	2	3	4	5	6	7	8
A	B	C	D				
Title			SHD-150EB		Drawing NO.		
B			SHD-150EB-GB-400V-B-2		Page 2		
Version			Blec. Layout and Wiring Diagram		Standard GB		
Approved by			SHINI		Voltage 3Φ/N/400V		
Date			20191204		Frequency 50Hz		
Drawer					Totally 3 Pages		
Designer					Voltage		
Proofread by					Frequency		
Checked by					50Hz		
Modify date							
Modified by							
After modification							
Before modification							
Mark							



信易电热机械股份有限公司
Shini Plastics Technologies, Inc.

1	2		3		4	5		6	7	8		
NO.	Symbol	Name	Manufacturer	Type	Specification	Number	Material number	Remark				
1	Q1	Circuit-breaker	TECO	BM-63C/3016S	16A 3P	1	YE40301603000					
2		Excitation release	YIJIN	MX	230V 50/60Hz	1	YE40023560000					
3	K1	Confactor	SIEMENS	3RT6026-1AN20	220V 50/60Hz	1	YE00602622000					
4	K2	Temp. controller	RONGDA	0-199℃	110V/220V 50/60Hz	1	YE850199000300					
5	T1	Week timer	SHINI	24H A-TB-72-D	230V 50/60Hz	1	YE86061900100					
6	Q2	Circuit-breaker	TECO	BM-63C/1003S	3A 1P	1	YE40100203000					
7	S1 S2	Control switch	ZHONGXUN	T120/55	4P (WH)	2	YE10210400000					
8	S5	Thermocouple	SHINI	K TYPE	--	1	----	(1)				
9	M1	Blower	LONGFENG	0.215KW	230V 50/60Hz	1	----	(1)				
10	EH1	Heater	SHINI	6KW	380V 50/60Hz	1	----	(1)				
11	X1	Terminal board	Honeywell	SK2.5	2.5mm ²	7	YE60002503200					
12		Barth Terminal board	HONEYWELL	GK2.5	2.5mm ² PE	1	YE60002503400					
13		Terminal fittings E/GK series	HONEYWELL	E	GK系列	2	YE60000003900					
机型版本 Ver.B												
Mark			Before modification	Modified by	Modify date	Checked by	Proofread by	Designer	Drawer	Version	B	Title
					20191204							SHD-150EB Elec. Parts List 1
												SHD-150EB-GB-400V-B-3
												信易電熱機械股份有限公司 Shini Plastics Technologies, Inc.
												Scale Standard GB
												Page 3
												Totally 3 Pages
												Voltage 3Φ/N/400V
												Frequency 50Hz
1	2		3		4	5		6	7		8	



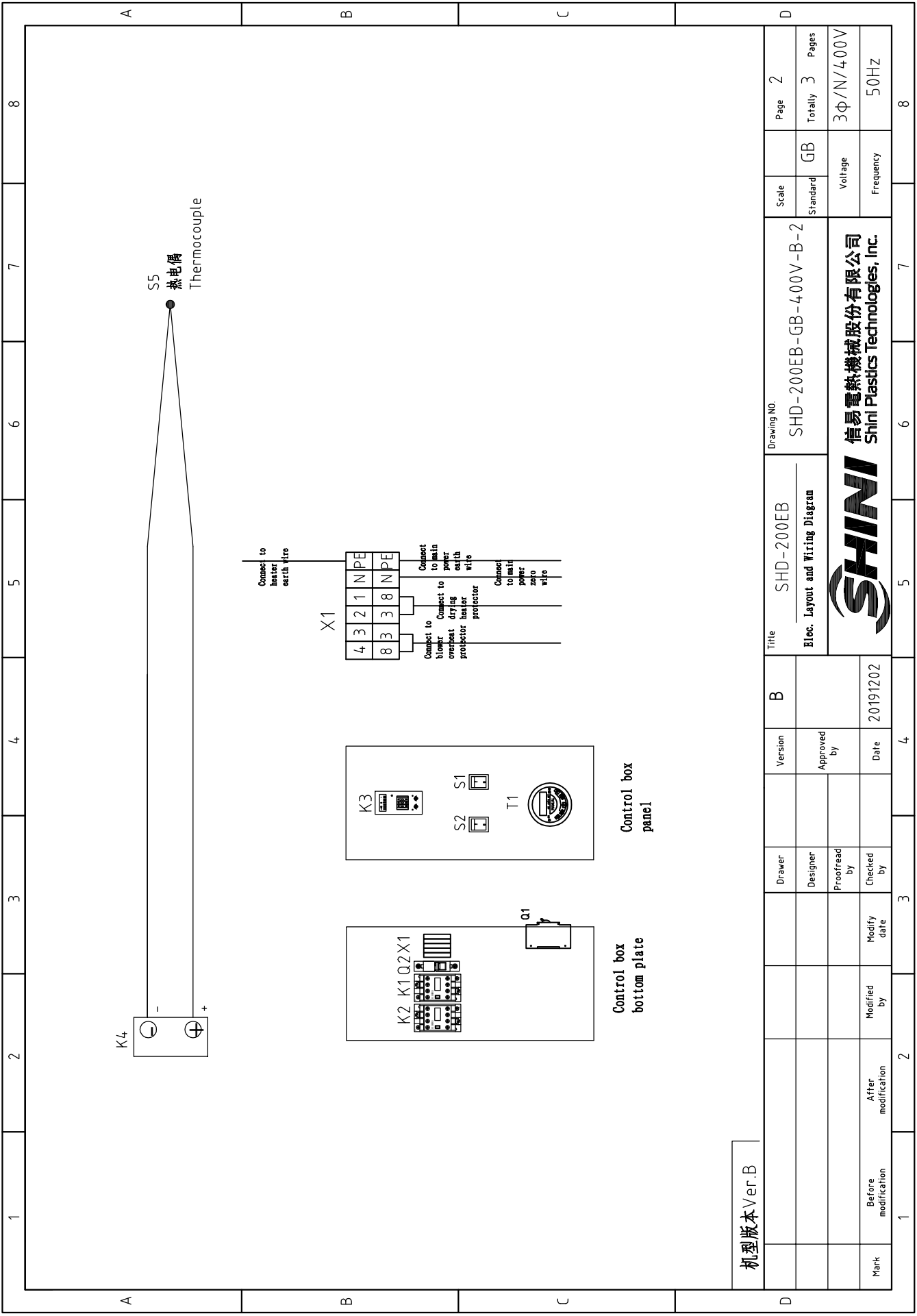


Electrical Principle

Notes: 1.M1 is the overheat protector of drying blower.
 2.N wire should be blue.
 3.S4 is the overheat protector.

机型版本 Ver.B

1		2		3		4		5		6		7		8	
A		B		C		D		Title		Drawing NO.		Scale		Page	
						SHD-200EB		SHD-200EB-GB-400V-B-1		GB		1		3	
						Electrical Principle		SHINI		Voltage		Frequency		Pages	
						SHINI		信易电热机械股份有限公司 Shini Plastics Technologies, Inc.		3φ/N/400V		50Hz		8	
Mark		Before modification		After modification		Modified by		Modify date		Checked by		Date		Approved by	
								20191205							
Version		Designer		Proofread by		Checked by		Date		Approved by		Date		Approved by	
								20191205							



机型版本 Ver.B

Mark	Before modification	Modified by	Modify date	Version	B	Title	SHD-200EB Elec. Layout and Wiring Diagram	Drawing NO.	SHD-200EB-GB-400V-B-2	Scale	Page
	After modification	Modified by	Modify date							Standard	Totally
										GB	2
											3
										Voltage	3Φ/N/400V
										Frequency	50Hz
1	2	3	4	5	6	7	8				

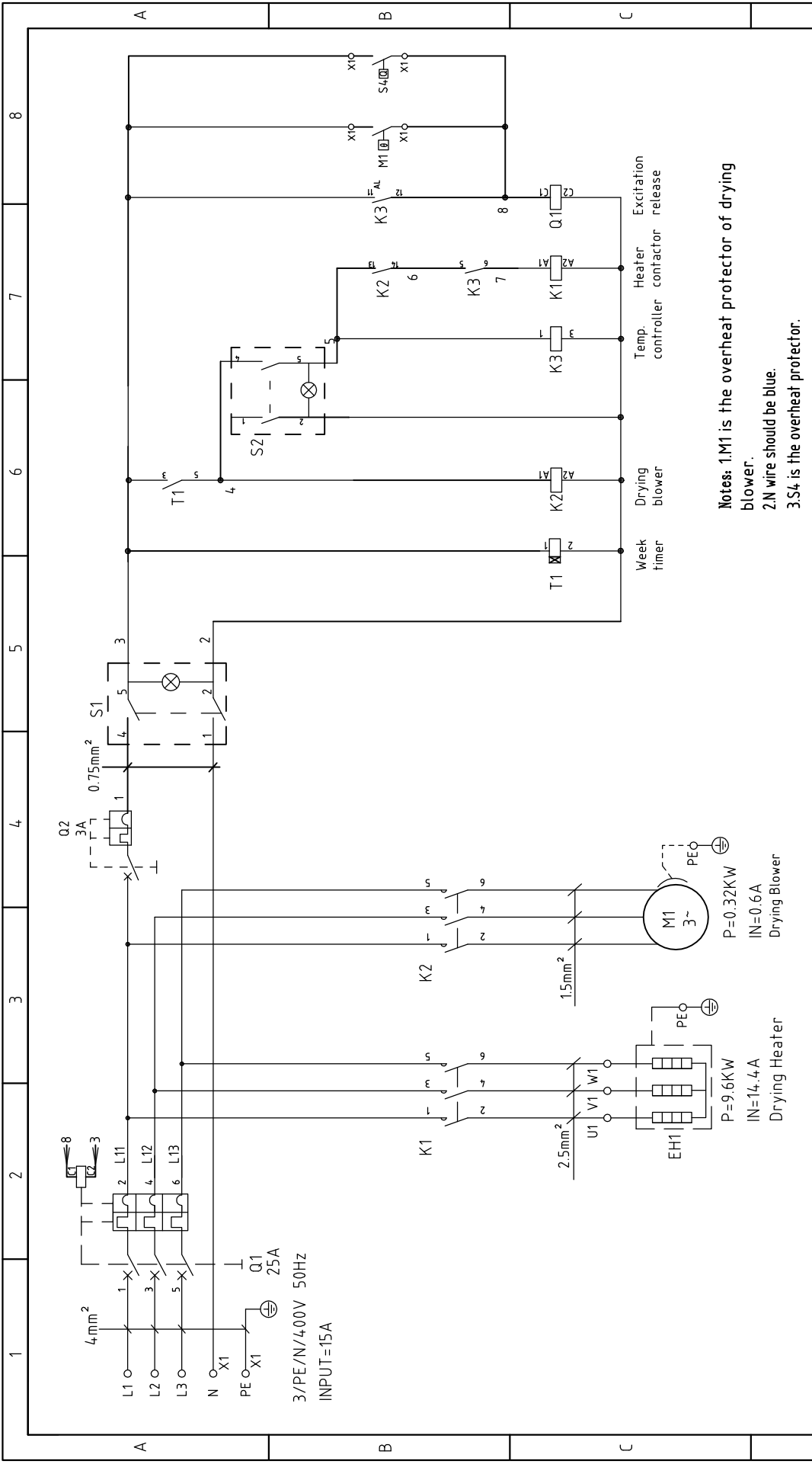


信易电热机械股份有限公司
Shini Plastics Technologies, Inc.

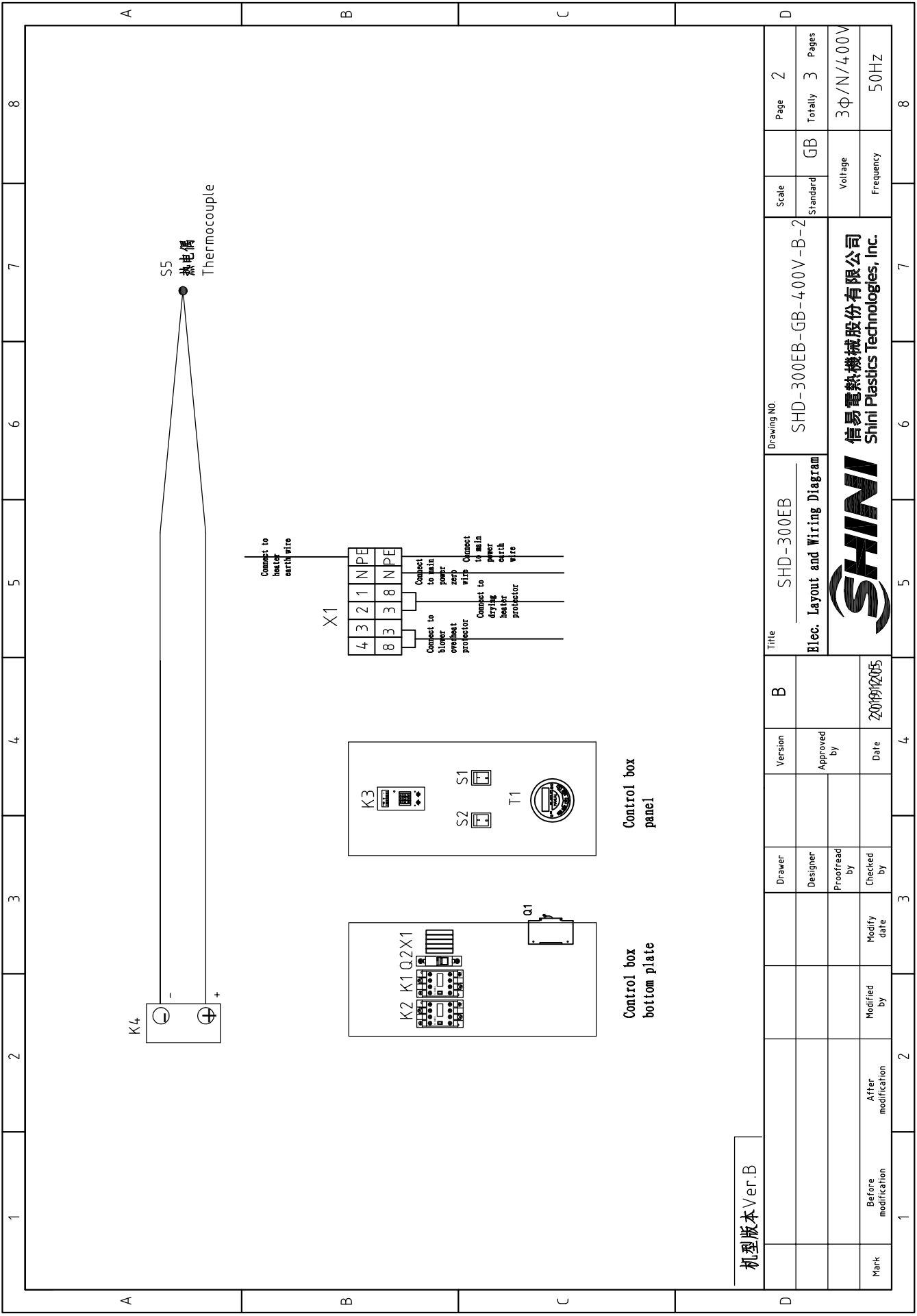
1		2		3		4		5		6		7		8	
No.	Symbol	Name	Manufacturer	Type	Specification	Number	Material number	Remark							
1	Q1	Circuit-breaker	TECO	BM-63C/3025S	25A 3P	1	YE40302503000								
2		Excitation release	YIJIN	MX	230V 50/60Hz	1	YE40023560000								
3	Q2	Circuit-breaker	TECO	BM-63C/1003S	3A 1P	1	YE40100203000								
4	K1	Contact	SIEMENS	3RT6026-1AN20	220V 50/60Hz	1	YE00602622000								
5	K2	Contact	SIEMENS	3RT6015-1AN21	220V 50/60Hz	1	YE00601521000								
6	K3	Temp. controller	SHINI	0-199°C	110V/220V 50/60Hz	1	YE85019900300								
7	T1	Week timer	SHINI	TM619-2	230V 50/60Hz	1	YE86061900100								
8	S1 S2	Control switch	ZHONGXUN	R210-C5L BW	4P (WH)	2	YE10210400000								
9	S4	Overheat protector	TONGBAO	KSD301-105	----	1	----	(1)							
10	S5	Thermocouple	SHINI	K TYPE	----	1	----	(1)							
11	X1	Terminal board	HONEYWELL	SK2.5	2.5mm ²	4	YE60002503200								
12		Terminal board	HONEYWELL	SK4	4mm ²	1	YE60000403200								
13		Barth terminal board	HOEYWELL	GK5PE	4mm ² PE	1	YE60000403500								
14		Terminal fittings E/GK series (honeywell)	HONEYWELL	E	GK系列	2	YE60000003900								
15	M1	Blower	LONGFENG	0.32KW	400V 50/60Hz	1	----	(1)							
16	EH1	Heater	SHINI	12KW	400V 50/60Hz	1	----	(1)							
C															
B															
A															
Notes: (1) Materials not in the control box;															
机型版本 Ver.B		Title		Version		B		SHD-200EB		Drawing NO.		Scale		Page	
		Blec. Parts List 1		Approved by				SHD-200EB-GB-400V-B-3		Standard		GB		Totally 3 Pages	
		Date		20191202						Voltage		3Φ/N/400V			
Mark		Before modification		Modified by		Modify date				Frequency		50HZ			
1		2		3		4		5		6		7		8	



信易电热机械股份有限公司
Shini Plastics Technologies, Inc.



机型版本 Ver.B		Title		Scale		Page	
		SHD-300EB		Standard		1	
		Electrical Principle		GB		Totally 3 Pages	
		SHD-300EB-GB-400V-B-1		Voltage		3Φ/N/400V	
		SHINI		Frequency		50HZ	
		信易电热机械股份有限公司 Shini Plastics Technologies, Inc. Electrical Principle					
Version		Date		Version		Date	
B		20191205		3		4	
Approved by		Checked by		Modified by		Modified date	
Designer		Proofread by		After modification		Before modification	
P=0.32KW IN=0.6A Drying Blower		P=9.6KW IN=14.4A Drying Heater					



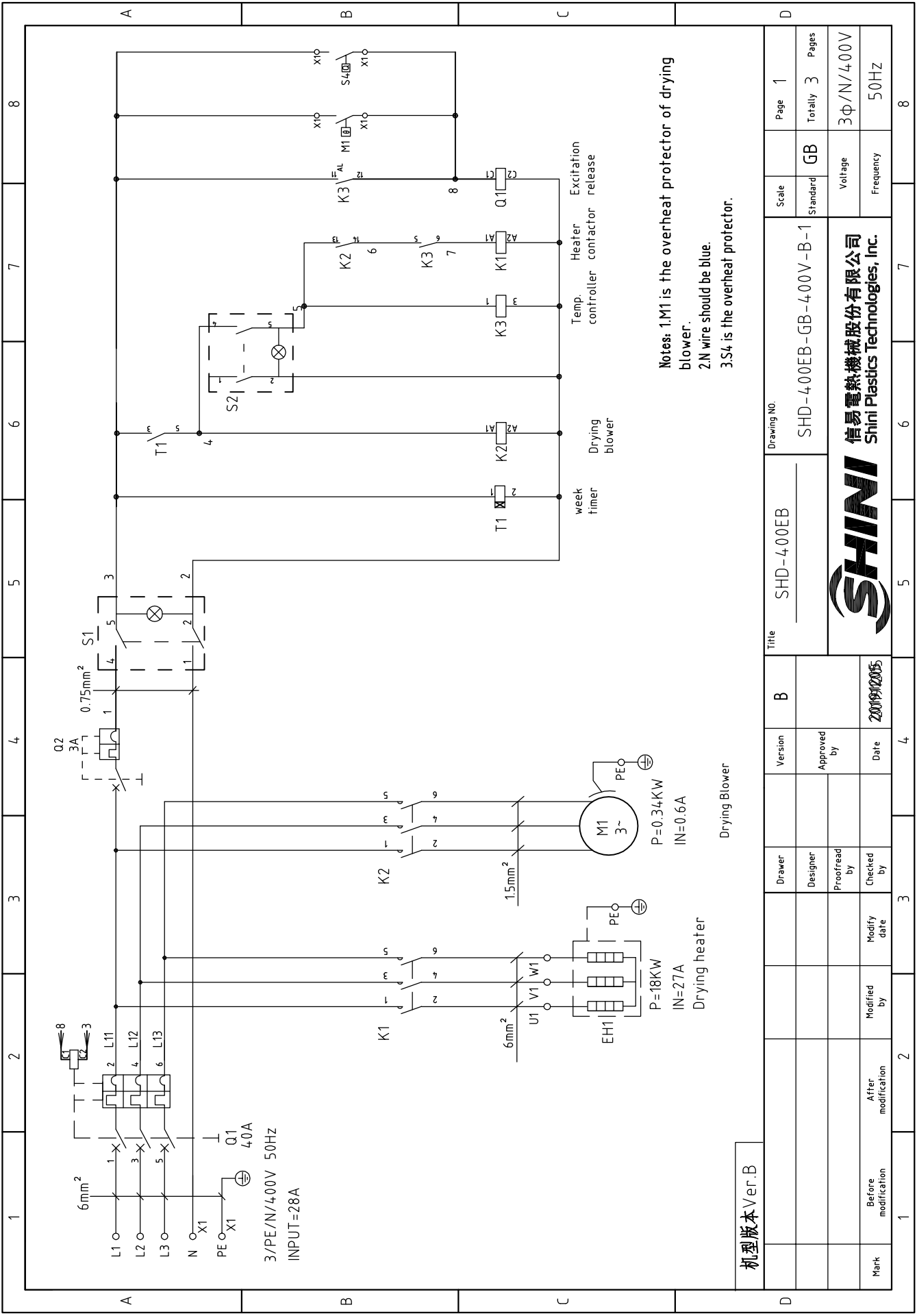
机型版本 Ver.B

Mark	Before modification	Modified by	Modify date	Checked by	Date	Approved by	Version	B	Title	SHD-300EB	Drawing NO.	Scale	Page
	After modification											Standard	2
										SHD-300EB-GB-4.00V-B-2		GB	Totally
										3φ/N/400V		Pages	
										Frequency		50HZ	
										SHINI		信易电热机械股份有限公司	
										Shini Plastics Technologies, Inc.			
										5		7	
										6		8	

1	2	3	4	5	6	7	8	
NO.	Symbol	Name	Manufacturer	Type	Specification	Number	Material number	Remark
		Guide rail H66-TM*1M(plated color zinc)			BA	0.12	YE90660100000	
		Terminal sleeve/insert 6.3(200pcs/pack)			PAC	0.006	YE6000634.0000	
		Cable 0.75*1C*200M red			M	7.7	YE50750100000	A
		Terminal 1.25-4Y thickness 0.7 (1000PCS/pack)			PAC	0.012	YE6010044.0200	
		Terminal 2-4Y thickness 0.7 (1000PCS/pack)			PAC	0.002	YE6020044.0100	
		Terminal 1.25-75S(FDNI-250 insert spring)1000pcs/pack			PAC	0.011	YE6012544.0000	
		Terminal 3-5R(500pcs/pack)			PAC	0.004	YE603054.00000	
		Terminal 3.5-5Y thickness 1.0 (500PCS/pack)			PAC	0.008	YE6030054.0200	
		Tubular terminal E1008			PCS	13	YE601008000200	
		Marked sleeve 4mm(100M/roll)			RL	0.02	YR700044.000200	
		Marked sleeve 1.5MM(100M/roll)			RL	0.03	YR70151000000	B
		Bundle wire 2.5x100mm(1000 pcs/pack)			PAC	0.04	YR903100000000	
		Cross socket pan head screw GB/T-818 M4x6-Longzinc			PCS	2	YW6304.06000000	
		Flat gasket A grade GB/T197.1 4(4.5x9x0.8)-Longzinc			PCS	2	YW6604.10000000	
		Cable 1.5*1C black/soft wire			M	1.6	YE50015100000	
		Cable 0.75*1C blue			M	5	YE50750100600	
		Cable 4x5Cx4M			BA	1	BES104.05000250	(1)

机型版本 Ver.B 注: (1)Materials not in the control box.

Mark	Before modification	After modification	Modified by	Modify date	Checked by	Proofread by	Designer	Drawer	Version	B	Title	SHD-300EB Elec. Parts List 2		Drawing NO.	SHD-300EB-GB-400V-B-3/1	Scale	Standard	Page	3/1		
									Approved by			SHINI 信易电热机械股份有限公司 Shini Plastics Technologies, Inc.						Totally	3	Pages	3
									Date	20191205								Voltage	3Φ/N/400V		
																		Frequency	50HZ		

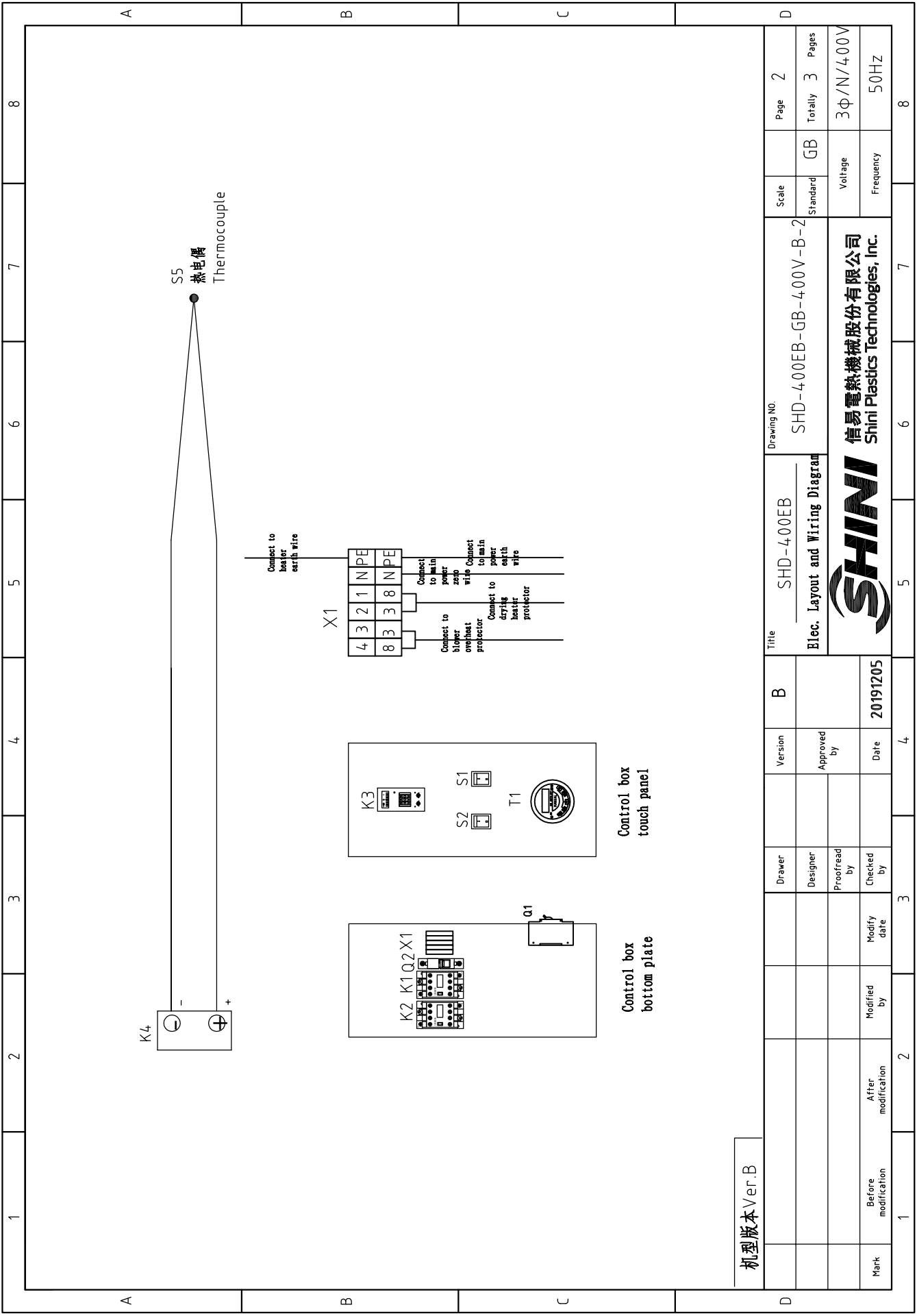


Notes: 1.M1 is the overheat protector of drying blower.
 2.N wire should be blue.
 3.S4 is the overheat protector.

机型版本 Ver.B

Title		SHD-400EB		Drawing NO.		SHD-400EB-GB-400V-B-1	
Version		B		Scale		GB	
Approved by		2019/12/05		Standard		Voltage	
Date		2019/12/05		Frequency		3Φ/N/400V	
Checked by				Page 1		Totally 3 Pages	
Modified by				Page		Frequency	
After modification				8		50HZ	
Before modification				7		8	





机型版本 Ver.B

Mark	Before modification	Modified by	Modify date	Version	B	Title	SHD-400EB	Drawing NO.	SHD-400EB-GB-400V-B-2	Scale	Page
	After modification	Modified by	Modify date							Standard	Totally
										GB	2
											3
										Voltage	3Φ/N/400V
										Frequency	50HZ
											8



1	2		3	4	5	6	7	8
No.	Symbol	Name	Manufacturer	Type	Specification	Number	Material number	Remark
1	Q1	Circuit breaker	TECO	BM-63C/3040S	40A 3P	1	YE40304003000	
2		Excitation release	YIJIN	MX	110V-400V 50/60Hz	1	YE40023560000	
3	K1	Contact	SIEMENS	3RT6028-1AN20	220V 50/60Hz	1	YE00602822000	A
4	K2	Contact	SIEMENS	3RT6015-1AN21	220V 50/60Hz	1	YE00601521000	
5	K3	Temp. controller	RONGDA	0-199°C	110V/220V 50/60Hz	1	YE85019900300	
6	T1	Week fimer	SHINI	24H A-TB-72-D	230V 50/60Hz	1	YE86061900100	
7	Q2	Circuit-breaker	TECO	BM-63C/1003S	3A 1P	1	YE40100203000	
8	S1 S2	Control switch	ZHONGXUN	T120/55	4P (WH)	2	YE10210400000	
9	S4	Overheat protector	TONGBAO	KSD301-105	15A	1	----	(1)
10	S5	Thermocouple	SHINI	K TYPE	----	1	----	(1)
11	M1	Blower	LONGFENG	0.34kW	400V 50/60Hz	1	----	(1)
12	EH1	Heater	SHINI	18KW	400V 50/60Hz	1	----	(1)
13	X1	Terminal board	Honeywell	SK2.5	2.5mm ²	4	YE60002503200	
14		Terminal board	Honeywell	GK6	6mm ²	1	YE60000603200	
15		Barth terminal board	Honeywell	GK6PE	6mm ² PE	1	YE60000603500	
16		Terminal fittings E/GK series	Honeywell	E	GK系列	2	YE60000003900	
17								
C								
D								
机型版本 Ver.B			Notes: (1)Materials not in the control box.			Drawing NO.		
			Title SHD-4.00EB			Scale		
			Elec. Parts List 1			Standard GB		
			Version B			Voltage 3φ/N/400V		
			Approved by			Frequency 50Hz		
			Date 20191205			Page 3		
						Totally 3 Pages		
Mark			Before modification			3φ/N/400V		
			Modified by			Frequency 50Hz		
			Modify date			8		
			Checked by					
			Proofread by					
			Designer					
			Drawer					



信易电热机械股份有限公司
Shini Plastics Technologies, Inc.

1		2		3		4		5		6		7		8	
NO.	Symbol	Name	Manufacturer	Type	Specification	Number	Material number	Remark							
A		1	Guide rail H66-TR*1M (plated color zinc)		BA	0.18	YE90660100000								
		2	Terminal sleeve/insert 6.3(2000pcs/pack)		PAC	0.006	YE60006340000								
		3	Terminal 1.25-4Y thickness 0.7 (1000PCS/pack)		PAC	0.007	YE60100440200								
		4	Terminal 2-4Y thickness 0.7 (1000PCS/pack)		PAC	0.006	YE60200440100								
		5	Terminal 1.25-7.5S(FDNI)-250 insert spring(1000pcs/pack)		PAC	0.007	YE60125440000								
		6	Terminal 3-5R(500pcs/pack)		PAC	0.006	YE60305400000								
		7	Terminal 3.5-5Y thickness 1.0 (500PCS/pack)		PAC	0.012	YE60300540200								
		8	Tubular terminal E1008		PCS	8	YE60100800200								
		9	Marked sleeve 4mm(100M/roll)		RL	0.02	YR70004000200								
		10	Marked sleeve 2.5MM(100M/roll)		RL	0.006	YR70002540200								
B		11	Bundle wire 2.5x100mm(1000 pcs/pack)		PAC	0.04	YR90310000000								
		12	Cross socket pan head screw GB/T-818 M6x10-Longzine		PCS	4	YW62061000000								
		13	Flat gasket A grade GB/T97.1.4(4.5x9x0.8)-Longzine		PCS	2	YW66041000000								
		14	Cable 6.0*1C black/soft wire		M	1.6	YE50060140200								
		15	Cable 1.5*1C black/soft wire		M	1.6	YE50015100000								
		16	Cable 0.75*1C blue		M	5	YE50750100600								
		17	Cable 6.0x5C*4M		BA	1	BE51060500250	(1)							
C		18	Cable 0.75*1C*200M red		M	7.7	YE50750100000								
		19	Tubular terminal E6012 black		PCS	3	YE60601200000								

机型版本 Ver.B Notes: (1) Materials not in the control box.

D				D				D					
Mark		Before modification		After modification		Modified by		Date		Version		Title	
						20191205		B		Elec. Parts List 2		SHD-400EB-GB-4.00V-B-3/	
												SHINI	
												信易电热机械股份有限公司 Shini Plastics Technologies, Inc.	
												Scale Standard	
												Page 3/1	
												Totally 3 Pages	
												Voltage Frequency	
												3Φ/N/400V 50Hz	