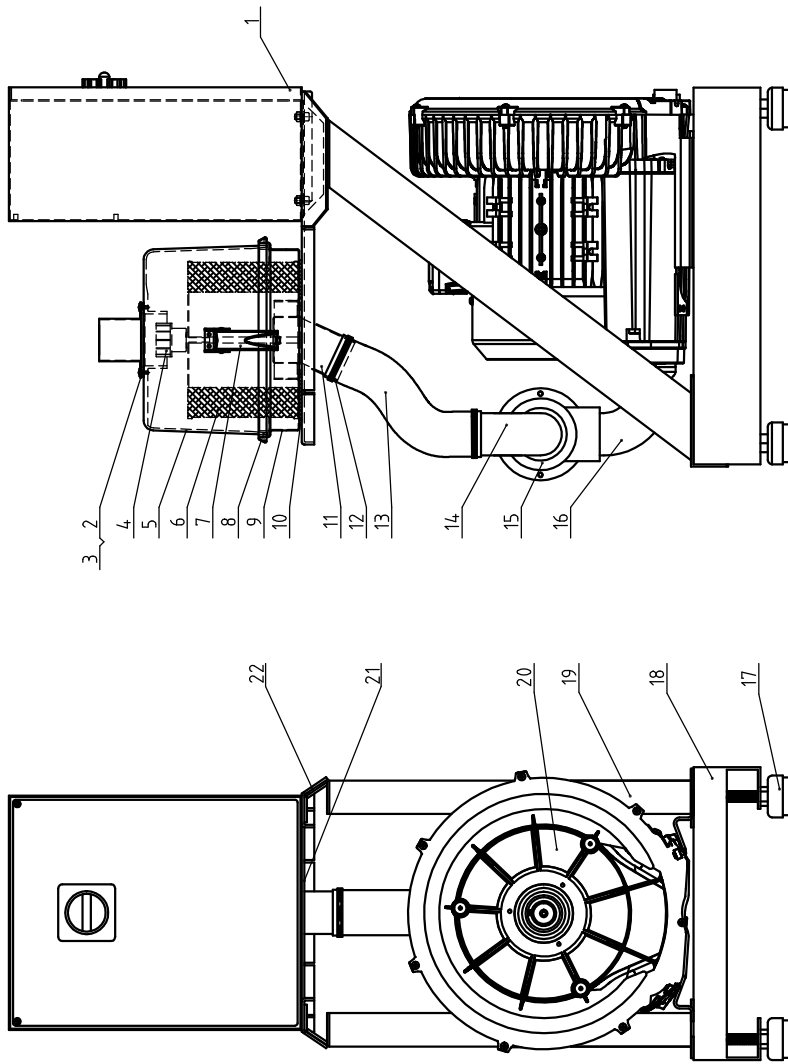


2. Machine assembly drawing and parts list SYlink-3HP



No.	Material number	Name	Mat.	Num.	Remarks
22		Filter barrel fixed frame	SPCC3.0	1	
21	BL50135000020	Wire clamp fixed plate PG13.5 SG-S-01	SPCC2.0	1	
20	BM30053000050	Shiniblower RB-430 small 3P/1.85KW/3 phase 230V420V50/60Hz 2k*	Assembly	1	
19		Column	SPCC3.0	1	
18		Base	Rubber	4	
17	YW03005000000	Foot pad rubberφ50	SUS201	1	
16		Inlet air pipe	Assembly	1	24 VDC
15	BY20003800300	Vacuum break separating valve SVBV-38(VER.B)	SUS201	1	
14		Vacuum breaking valve connecting pipe	Assembly	1	
13	YR60002000000	Wire steel hose 2"(PUR355)20M/roll	Assembly	0.7m	
12	YW02006500100	Wire steel pipe clamp 65mm	SUS201	2	
11		Filter barrel base	Assembly	1	
10	YR10080000000	Fastener SAL-810G-A-04(ver.0) rubber(blk.)*	Rubber	1	
9		Filter barrel cover	SPCC1.2	1	
8	YR100800000300	Filter barrel fastener SAL-810G-A-03(ver.0) rubber(white)*	Rubber	1	
7	YW020030000400	Adjustable snap hook SAL-6U-A-35-	Assembly	2	
6	YR50708000100	Filter SAL-700/800G fastener rubber ext. 189*inner 115*H 125*	Assembly	1	
5	YL22081000100	PC filter SAL-810G-A-05(ver. A)(has mould)*	PC	1	
4	YW09675100000	Small star nut 5/16 SHD-6~75KG-01-SJ Alu. alloy	Rubber	1	
3	YR10243600000	Suction pipe round fastener SAL-24U/36U*	SUS201	1	
2		Filter barrel suction inlet	Assembly	1	
1		Control box assembly	Mat.	1	

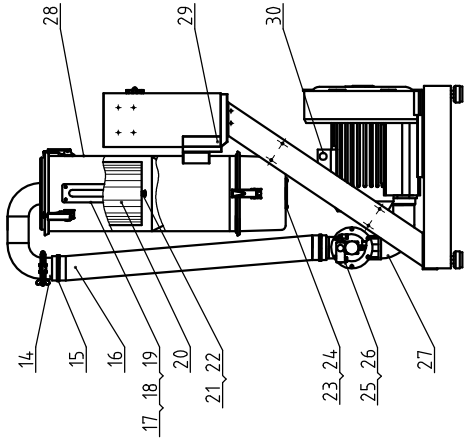
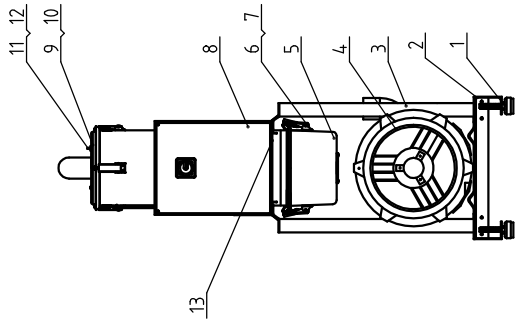
Mark	Before Mod.	After Mod.	Modified by	Date	Draw. Desi.	Ver.

Title	SYlink-3HP Loader	Drawing no.	Scale	1:6	Num.	1
		SYlink-3HP(Assembly Drawing)				



* means easy broken items; ** means potential broken items, which are suggested to be back up;
Please confirm the instruction manual version before placing an order to ensure the parts material number is consistent with the real object.

3. Machine assembly drawing and parts list SYlink-5HP



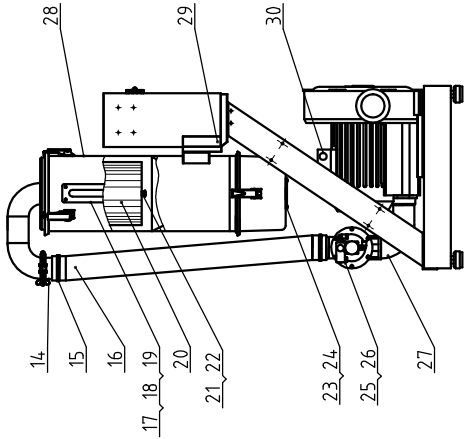
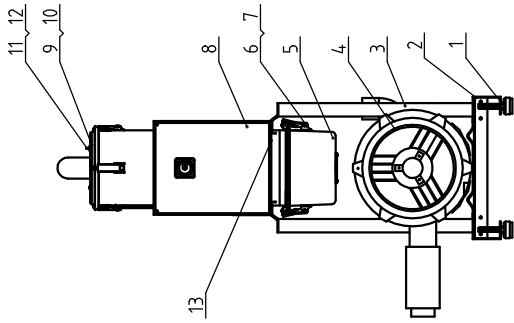
* means easy broken items; ** means potential broken items, which are suggested to be back up;
Please confirm the instruction manual version before placing an order to ensure the parts material number is consistent with the real object.

30	BH12352100010	Copper connector SAL-5HP-UJG-ALL-17	H58	1
29		Filter barrel fixed frame	SPCC3.0	1
28		Filter barrel assembly	Assembly	1
27		Air inlet pipe	SUS201	1
26		Vacuum breaking diaphragm valve connecting pipe	SUS201	1
25	BY20005000300	Vacuum breaking separating valve SVBV-50(VER.B)	Assembly	1
24	YR1024-3600000	Suction pipe round fastener SAL-24U/36U*	Rubber	1
23	BL26000500220	PC filter barrel fender	SUS201	1
22	YW69051600000	Butterfly cap nut 5/16"	SECC2.0	1
21		Filter fixed plate	Assembly	1
20	YR50181100000	Filter ADC2 ext. 188-ximmer.114xH.302*	SPCC2.0	1
19	BW09000630040	Sight glass iron sheet six hole	Rubber	1
18	YR40000600000	Sight glass fastener six hole (SHD-12-A-25)	PC	1
17	YR40001200000	Acryl six hole (SHD-12-A-26)*	Assembly	0.9m
16	YR60253000000	Wire steel hose 2.5"	SUS201	2
15	YW02000300000	Stainless steel pipe clamp 3"	Assembly	1
14		Air suction pipe	SPCC2.0	1
13	BL50135000020	Wire clamp fixed plate PGB35 5G-5-01 (has mould)	Silical gel	1
12	YR20002500300	Stainless steel punching clamp seal ring 2.5"	Assembly	1
11	YW07002501600	Stainless steel punching clamp 2.5"	Rubber	2
10	YR10080000300	Filter barrel fastener SAL-810G-A-03*	Assembly	1
9		Filter barrel cover assembly	Assembly	1
8		Control box assembly	Assembly	1
7	YW69050100000	Open flat round head blind rivet Ø8/7.12xØ8.1x6	Assembly	10
6	YW02003000400	Adjustable snap hook SAL-6U-A-35*	PC	5
5	YL22081000100	PC filter barrel SAL-810G-A-05 (Ver. A) (has mould)	Assembly	1
4	BM30055000050	Column	Assembly	1
3		Base	SPCC3.0	1
2		Foot pad rubber Ø50	Rubber	4
1				

Title		SYlink-5HP		Drawing no.		Scale		1:15		Num.		1	
Loader													
Mark		Before Mod.		After Mod.		Modified by		Date		App.		Date	
Ver.						Draw.				Desi.			
App.						Check				App.			
by						App.				Date			
Date						App.				Date			



4. Machine assembly drawing and parts list SYlink-5HP-D



* means easy broken items; ** means potential broken items, which are suggested to be back up;
Please confirm the instruction manual version before placing an order to ensure the parts material number is consistent with the real object.

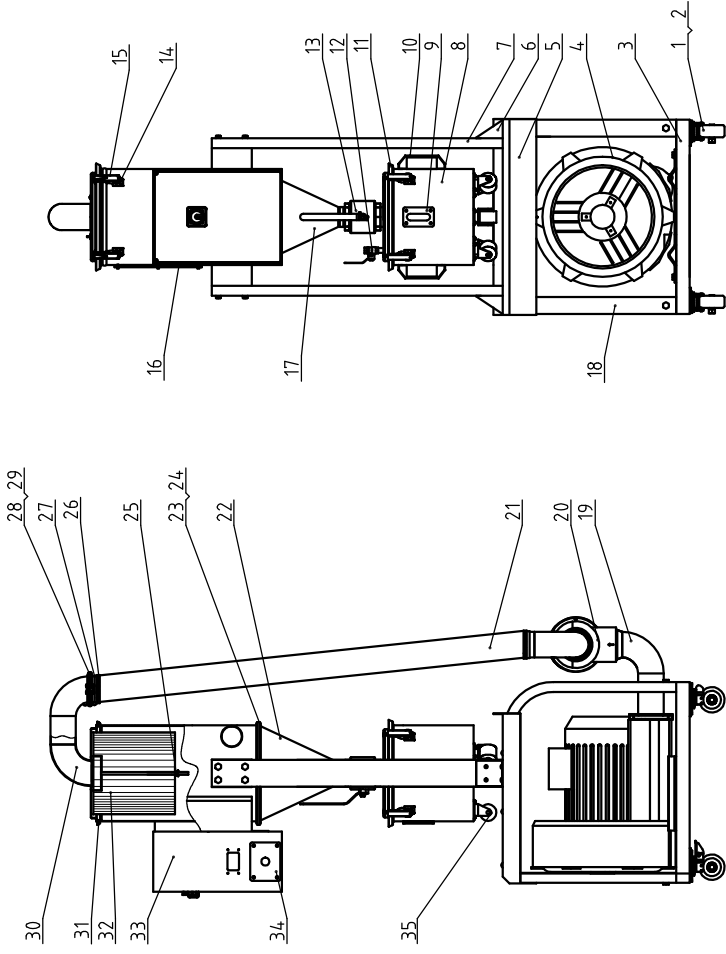
30	BH12352100010	Copper connector SAL-5HP-UG-ALL-17	H58	1
29		Filter barrel fixed frame	SPCC3.0	1
28		Filter barrel assembly	Assembly	1
27		Air inlet pipe	SUS201	1
26		Vacuum breaking diaphragm valve connecting pipe	SUS201	1
25	BY20005000300	Vacuum breaking separating valve SVBY-50(VER.B)	Assembly	1 24.VDC
24	YR10243600000	Suction pipe round fastener SAL-24U/36U*	Rubber	1
23	BL26000500220	PC filter barrel fender	SUS201	1
22	YW69051600000	Butterfly cap nut 5/16"	Assembly	1
21		Filter fixed plate	SECC2.0	1
20	YR50181100000	Filter ADC ext. 188xinner 114xH 302*	Assembly	1
19	BW09000630040	Sight glass iron sheet six hole	SPCC2.0	1
18	YR40000600000	Sight glass fastener six hole (SHD-12-A-25)*	Rubber	1
17	YR40001200000	Acryl six hole (SHD-12-A-26)*	PC	1
16	YR60253000000	Wire steel hose 2.5"	Assembly	0.9m
15	YW02000300000	Stainless steel pipe clamp 3"	SUS201	2
14		Air suction pipe	Assembly	1
13	BL50135000020	Wire clamp fixed plate PG35 SG-S-01 (has mould)	SPCC2.0	1
12	YR20002500300	Stainless steel punching clamp seal ring 2.5"	Silic gel	1
11	YW07002501600	Stainless steel punching clamp 2.5"	Assembly	1
10	YR10080000300	Filter barrel fastener SAL-810G-A-03*	Rubber	2
9		Filter barrel cover assembly	Assembly	1
8		Control box cover plate	Assembly	1
7	YW69050100000	Open flat round head blind rivets GB/T 12618 4x6	Assembly	10
6	YW02003000400	Adjustable snap hook SAL-6U-A-35*	Assembly	5
5	YL22081000100	PC filter barrel SAL-810G-A-05 (ver. A) (has mould)	PC	1
4	YM304-337000000	Impeller cover EIS-137 (make phase 3 phase 230V/240V/250V/262V with fan plate)	Assembly	1
3		Column	Assembly	1
2		Base	SPCC3.0	1
1	YW03005000000	Foot pad rubber φ50	Rubber	4

Title		SYlink-5HP-D		Drawing no.		SYlink-5HP-D (装配图用)		Scale		1:15		Num.		1	
Loader															
Material															
Material number															
Name															
No.															
Ver.															
Desi.															
Check															
App.															
Date															
Before Mod.															
After Mod.															
Modified by															
Date															
Mark															



Mat. No.	
Surface req.	
Mat.	
Num.	
Scale	

5. Machine assembly drawing and parts list SYlink-10HP



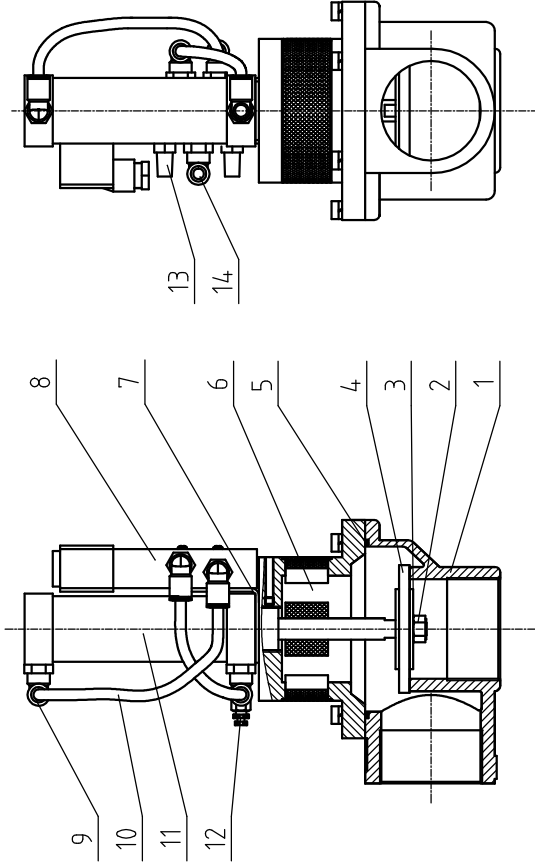
35	YW03000200000	Black castor 2"		3
34	BL50135000020	Wire clamp fixed plate P6315 5G-S-01 (has mould)	SPCC2.0	1 for 4,00V
33		Control box assembly	Assembly	1
32	YR50024400000	Filter ext.244* inner 149*H 250 rubber fastener*	Assembly	1
31	YR10028700000	Filter barrel fastener φ287 rubber(has mould)**	Rubber	2
30		Filter cover assembly	Assembly	1
29	YR20000300000	Stainless steel punching clamp seal ring 3**	SUS304	1
28	YW07000300300	Stainless steel punching clamp 3"	Assembly	1
27		Air suction pipe	Assembly	1
26	YW02003500000	Stainless steel pipe clamp 3.5"	SUS201	2
25	YW69051600000	Butterfly cap nut 5/16"	Q235	1
24	YR10236400000	Stainless steel pipe fastener SAL-120/360 (has mould)	Assembly	1M
23	BL21102600120	Pipe clamp ring assembly	Assembly	1
22		Filter barrel (lower)	Assembly	1
21	YR60303000000	Steel wire hose 3"×18m	Assembly	1
20	BY20007600450	Vacuum breaking valve SVBV-76(Ver.B)	Assembly	1 24VDC
19		Air inlet pipe	SUS201	1
18		Bracket	SPCC2.0	1
17		Filter barrel (upper)	Assembly	1
16	BH90000600050	Six hole sight glass assembly	Assembly	1
15	YW02003000400	Adjustable snap hook SAL-60J-A-35"	Assembly	8
14	YW6905010000009	Open flat round head blind rivets GB/T 12618 4x6	Assembly	16
13	YW50020000000	Copper ball valve 2"	Assembly	1
12	YW50041000000	Copper ball valve 1/4 PT	Assembly	1
11		Dust collective barrel cover	Assembly	1
10	BW20012000040	Alu. square handle L120	YL112	2
9	BH90000400050	Four hole sight glass assembly	Assembly	1
8		Dust collective barrel	Assembly	1
7		Filter barrel column	SPCC3.0	1
6		Column support	SPCC2.0	2
5		Middle plate	SPCC2.0	1
4	BM30081000050	Shower RB-850(MP)3/230V/400V/50/60HZ black	Assembly	1
3		Base	SPCC3.0	1
2	YW03000300200	Universal castor 3"	Assembly	2
1	YW03000300000	Universal brake castor 3"	Assembly	2

No.	Material number	Name	Mat.	Num.	Remarks
Title SYlink-10HP Loader					
Drawing no. SYlink-10HP(装配图)					
Mark	Before Mod.	After Mod.	Modified by	Date	
Draw.	Desi.	Check	App.	Ver.	
Scale 1:15 Num. 1					
Surface req.					
Mat. No.					



* means easy broken items; ** means potential broken items, which are suggested to be back up;
Please confirm the instruction manual version before placing an order to ensure the parts material number is consistent with the real object.

Attached: SVBV-50 assembly drawing and parts list(BY20005000300).



* means easy broken items; ** means potential broken items, which are suggested to be back up;
Please confirm the instruction manual version before placing an order to ensure the parts material number is consistent with the real object.

14	YW80081800100	L-type screw connector APL8-01 1/8-φ8	Assembly	1
13	YW80010800000	Copper muffler 1/8 (has mould)	Assembly	2
12	YW80061800000	Adjustable air pipe connector ASL6-1/8	Assembly	1
11	YE31326000100	Cylinder MBL32x60U(AirTAC)*	Assembly	1
10	YR60000600400	PU air pipeφ6 blk.200M/roll	PU	0.3m
9	YW80061800200	L-type screw connector APL6-01 1/8-φ6	Assembly	3
8	YE32421000300	Solenoid valve 4V210-06/DC24V *	Assembly	1
7	BL20380500020	Solenoid valve fixed plate SPDV-38-ALL-05	SPCC2.0	1
6	BW20500100010	Upper cover SVBV-50-ALL-01	Assembly	1
5	YR20259800000	Rubber O-type seal ring 2.5x98(ext.dia.)*	Rubber	1
4	BR1065120004.0	4-way valve membrane 65x12.8mm plastic covered (has mould)**	Assembly	1
3	BL90201870020	Washer SPDV-63-A-03(SUS201)		2
2		Hex. cap nut M10x1.25		1
1	BW20001501210	Lower cover SPDV-50-ALL-02 white	ZL101	1
No.	Material number	Name	Mat.	Num.
Title		Drawing no.		Scale
SVBV-50		SVBV-50(Assembly Drawing)		1:4
Vacuum Break Separating Valve				Mat.
		Surface req.		
		Mat No.		



信易電熱機械股份有限公司
 Shini Plastics Technologies, Inc.

Draw.	Ver.
Desi.	App.
Check	by
App.	Date
Mark	Before Mark
After Mod.	Modified by
Date	

