



"Regular" Series SG-B

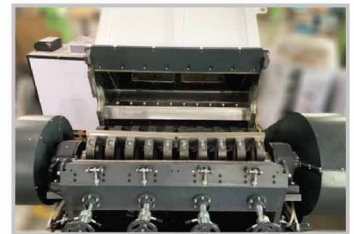
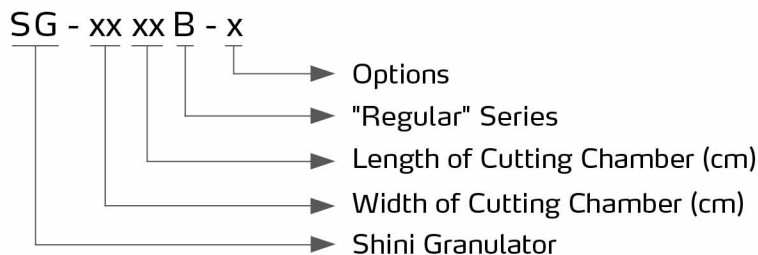
SG-70150B



Refer carefully to this manual before operation.

SG-B Series

■ Coding Principle



V-Type Cutting Blades

■ Features

- Rotating cutters adopt V-type cutting technology which can send the feeding material into the center of rotating cutters so to prevent the material from adhering onto the inner side of the cutting chamber while enhancing its wearability.
- The cutters are made of high quality steel featuring wearability, high rigidity, long service life and reusable after re-sharpening.
- Cutting chamber made of high rigidity material, after processing by CNC machine, has the features like high intensity, super wearability, no contamination, long service life and easy for maintenance and repairing.
- The safety plastic curtain at the feed box inlet keeps the materials inside the machine when granulating.
- V-type transmission belts help maintain a balanced operation mode, close contact, and also easy to disassemble and repair.
- The feed box and screen bracket is driven by hydraulic device.
- The presetting knife jig, which enables to reshape of the blades and installation without too much cost and time.



High quality crushing chamber



Presetting Knife Jig

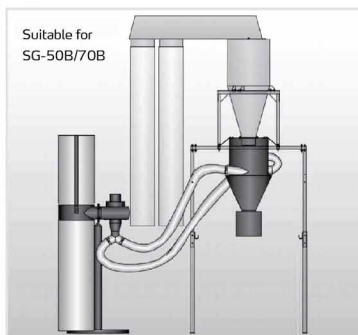


Screen and screen bracket



Heavy duty transmission design

■ Options



Dust-separating system

Optional dust-separating system to remove the dusts in the material, and add "DS" at the end of the model code.



Flywheel

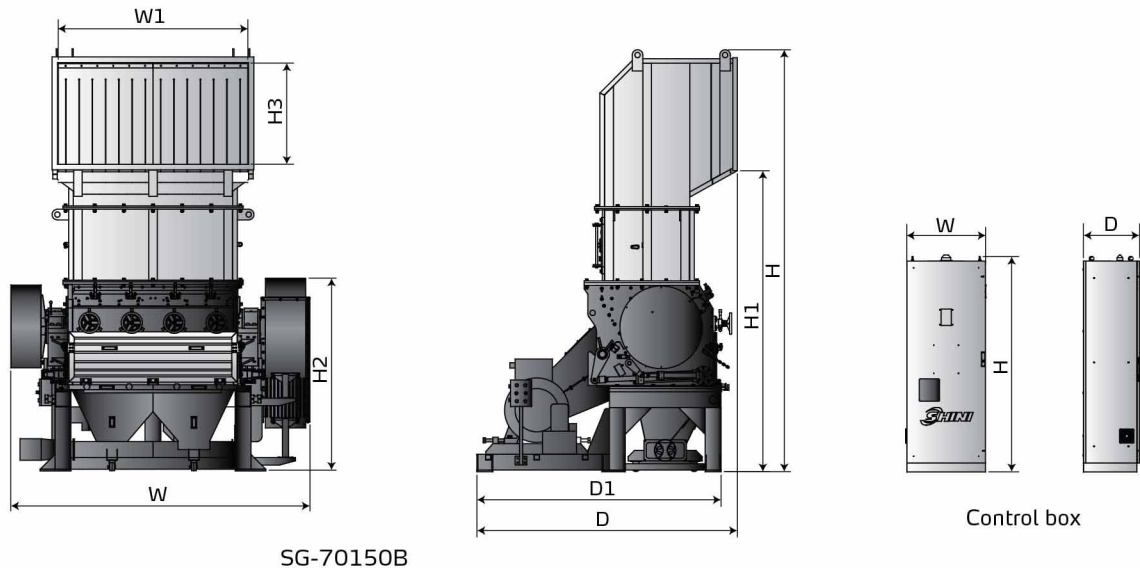
Increase inertia, thereby increasing the cutting ability. At the same time can result in a more balanced force and longer service life. It is an option for SG-36E series. Add "FW" at the end of the model code.

- Optional separated blower (the power of SG-70B is 11KW, and the power of SG-90B is 22KW) is available.

Application

SG-70B/90B series granulators are applicable to granulate various kinds of plastic materials from injection molding, blow molding or extrusion molding.

Outline Drawings



Specifications

Model	SG-70100B(HB)	SG-70150B(HB)	SG-90160B(HB)	SG-90200B(HB)
Motor Power (kW)	90(110)	110(132)	160(200)	(200)250
Rotating Speed (rpm)	413	413	413	413
Conveying Blower (kW)	7.5	11	22	22
Hydraulic device Power(kW)	1.5	1.5	1.5	1.5
Material of Blades	SKD11	SKD11	SKD11	SKD11
Quantity of Fixed Blades(Optional)	2×2 (3×2)	2×2 (3×2)	2×4 (3×4)	2×4 (3×4)
Quantity of Rotating Blades(Optional)	3×2 (5×2)	3×2 (5×2)	5×4 (7×4)	5×4 (7×4)
Cutting Chamber(mm)	700×1000	700×1500	900×1600	900×2000
Screen Dia.(mm)	φ 12	φ 12	φ 20	φ 20
Max.output (kg/hr)	1500	2500	3500	4000
Noise Level dB(A)	120	120	120	120
Dimensions	H (mm)	3980	3980	4740
	H1 (mm)	2839	2839	3590
	H2(mm)	1818	1810	2145
	H3 (mm)	955	955	982
	D (mm)	2409	2459	3418
	D 1(mm)	2255	2305	2965
	W(mm)	2264	2823	2954
	W1(mm)	1290	1790	1992
Control box (W×H×D)(mm)	701×1922×502		701×1935×505	

Notes: 1) SKD11 is steel grade of Japanese JIS standard.

2) Max. capacity of the machine is subject to diameter of screen mesh and composition of the material.

3) Noise level varies with different materials and motor types.

4) Noise level is tested under conditions of 1m around the machine and 1.6m from the ground.

5) To avoid plastic from sticking to the blades, all materials should be crushed at normal temperature.

6) Power supply : 3Φ, 230/400/460, 50/60Hz.

Shini Group

Addr: No. 23, Minhe St., Shulin Dist.,
New Taipei, Taiwan

Tel: +886 2 2680 9119

Fax: +886 2 2680 9229

Email: shini@shini.com

Factories:

- Taiwan
- Dongguan
- Pinghu
- Ningbo
- Chongqing
- Pune