



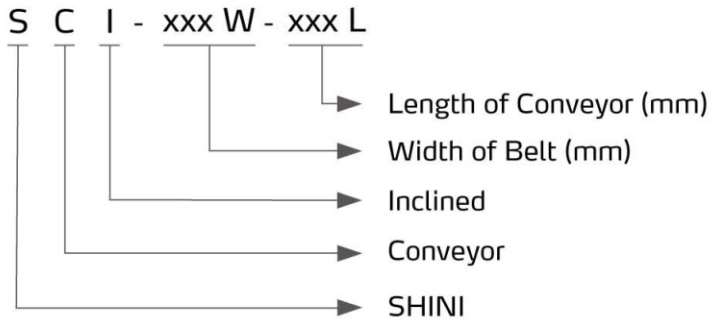
## Inclined Belt Conveyor

SCI-300W-200L



Refer carefully to this manual before operation.

## ■ Coding Principle



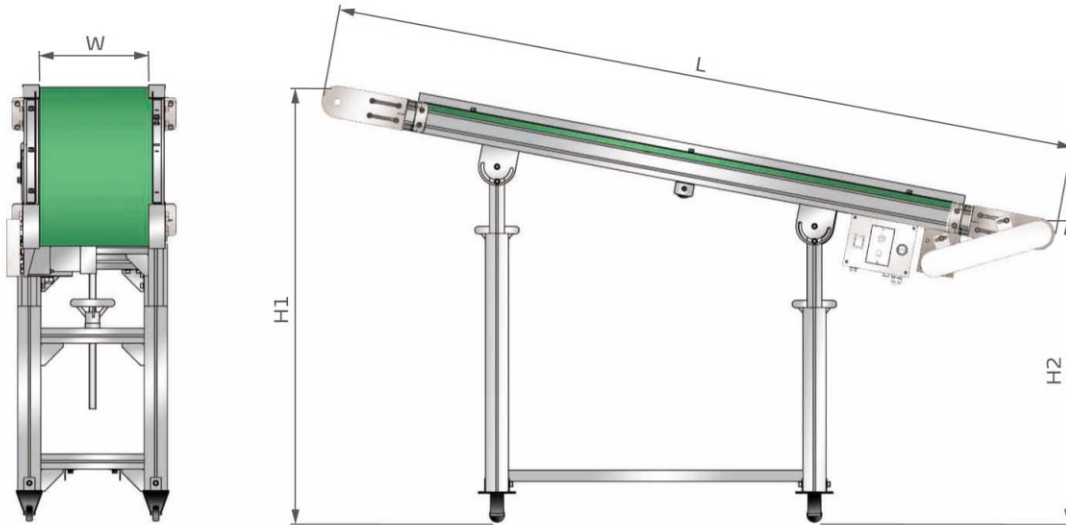
## ■ Features

- Employs high precision aluminum alloy profile, anodization of sand blast, elegant appearance.
- The belt is made of high quality PVC material, improve the appearance and wearable.
- The height can be easily adjusted by using hand wheels.
- Universal casters work with brake casters, fixed or movable as ease.
- Control speed though knob speed governor, easily and conveniently.
- With automatic and manual function, can working with robot or independently.
- Attach standard robot connector, easily and conveniently.

## ■ Application

The SCI Series inclined belt conveyor is designed for delivery products after robot picks them out from injection molding machine. The signals connect with robot achieve full automatic operation, improve the production efficiency and protect products.

## ■ Outline Drawings



## ■ Specifications

Model	SCI - 200W	SCI - 300W	SCI - 400W	SCI - 500W	SCI - 600W
Width of Belt W (mm)	200	300	400	500	600
Length of Conveyor L (mm)	2000 / 3000 / 4000 / 6000				
Height of Higher End H1 (mm)	1000 ~ 1600				
Height of Lower End H2 (mm)	700 ~ 1000				
Max Load (with tool) (kg)	20 (Uniform)				
Max Speed (m/min)	12				
Belt Description	Material: PVC / Thickness: 2mm / Color: Green Rating of Temperature: -10°C~+80°C / Static-free, ard Wearing, Oil proof				
Power Source	AC220V ± 10V 50/60Hz				
Motor Rated Power (W)	60				

We reserve the right to change specifications without prior notice.

## Shini Group

Addr: No. 23, Minhe St., Shulin Dist.,  
New Taipei, Taiwan

Tel: +886 2 2680 9119

Fax: +886 2 2680 9229

Email: [shini@shini.com](mailto:shini@shini.com)

### Factories:

- Taiwan
- Dongguan
- Pinghu
- Ningbo
- Mumbai

2013-09-15-04 Copyrights Reserved.

[www.shini.com](http://www.shini.com)