



## SVT Series Vertical Transporter

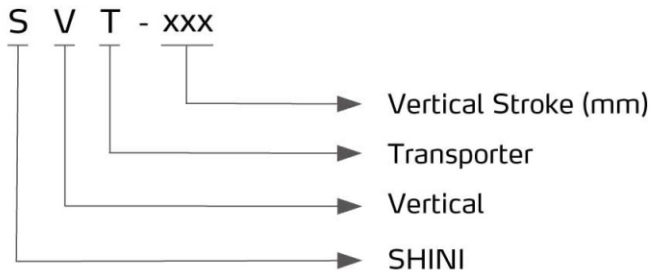
SVT-700



Refer carefully to this manual before operation.

# SVT Series

## ■ Coding Principle



## ■ Features

- Connect with robot signal, catch products accurately and protect the products.
- Auto up, down and tilt, transport products to workbench.
- The trays of vertical transporter nice looking and wearable avoid scratching products.
- Two-point composition and quick-connectors for conveniently usage.
- The up and down stroke can be adjusted.

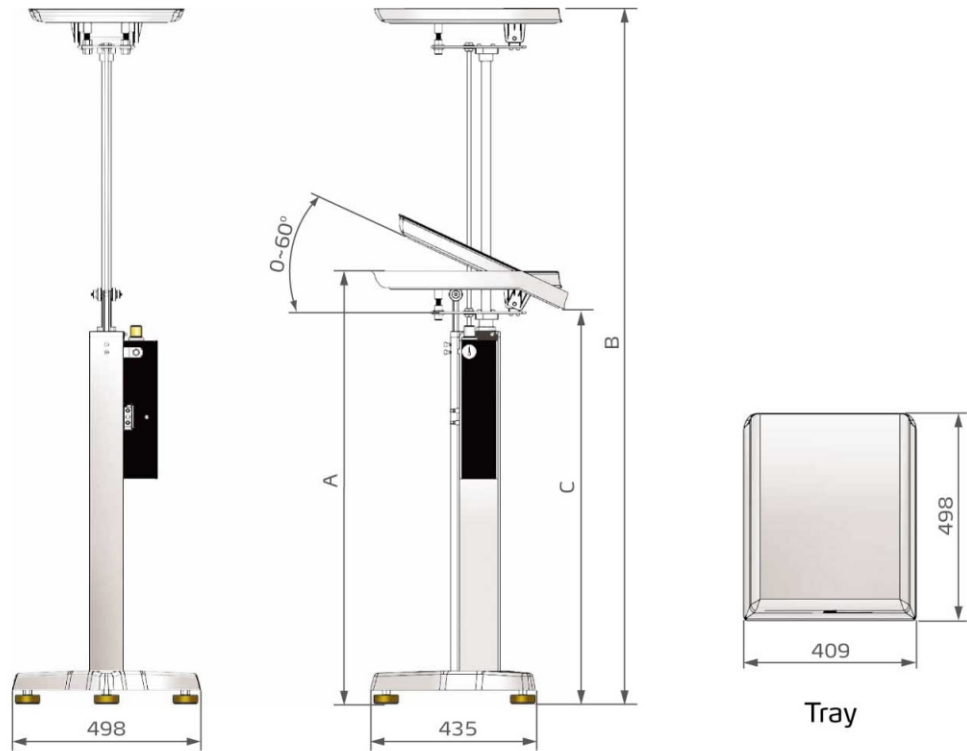
## ■ Application

The SVT Series vertical transporter is designed for catching products after robot picks them out from injection molding machine. The signals connect with robot, catch products accurately and safety, with two-point composition and quick-connectors, the up and down stroke can be adjusted, conveniently and rapidly, improve the production efficiency and protect operator's safety.



SVT-700 (Lateral)

## Outline Drawings



## Specifications

| Model                     | SVT-500         | SVT-600          | SVT-700          | SVT-800          |
|---------------------------|-----------------|------------------|------------------|------------------|
| A (mm)                    | 930             | 1030             | 1130             | 1230             |
| B (mm)                    | 1450            | 1650             | 1850             | 2050             |
| C (mm)                    | 804             | 904              | 1040             | 1140             |
| Net Weight (kg)           | 36              | 38               | 40               | 42               |
| Dimensions (mm) D×W×H     | 498 × 498 × 930 | 498 × 498 × 1030 | 498 × 498 × 1130 | 498 × 498 × 1230 |
| Power Source (V)          | DC 24V          |                  |                  |                  |
| Air Pressure (bar)        | 5               |                  |                  |                  |
| IMM (ton)                 | 50 ~ 250        |                  |                  |                  |
| Max Load (with tool) (kg) | 2               |                  |                  |                  |
| Air Consumption(Nl/cycle) | 0.5             |                  |                  |                  |

We reserve the right to change specifications without prior notice.

## Shini Group

Addr: No. 23, Minhe St., Shulin Dist.,  
New Taipei, Taiwan

Tel: +886 2 2680 9119

Fax: +886 2 2680 9229

Email: [shini@shini.com](mailto:shini@shini.com)

### Factories:

- Taiwan
- Dongguan
- Pinghu
- Ningbo
- Mumbai

2013-09-15-04 Copyrights Reserved.

[www.shini.com](http://www.shini.com)