



## "Standard" Hopper Dryer

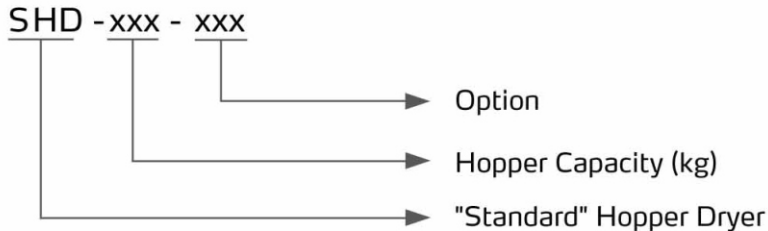
SHD-50



Refer carefully to this manual before operation.

# SHD Series

## ■ Coding Principle



## ■ Features

- Adopt hot air diffuser to keep plastics dry and temperature stable, thus improve drying efficiency.
- Hot air inlet curved design can prevent dust piling up at bottom of the pipe heaters so as to avoid burning.
- Component inside the hopper and the inwall of it are made of stainless to protect materials from contamination .
- Hopper separated from its base, ensuring convenient cleaning.
- All series are equipped with exposed power switch.
- For SHD-25~150, heater pipes are connected by lead sheets and other models are equipped with temperature protection to prevent heater pipe from damaging by blower faults.
- Overheat tripping can automatically cut off power when drying temperature exceeds set deviation value.
- Adopts heat-insulated blower to prolong blower lifespan.
- All series of models standard equipped with 7-day timing and intermittent operation function.
- All series of models adopt microcomputer control and RS485 communication port.
- Max. drying temperature is 160°C.



SHD-800



Hopper Inside

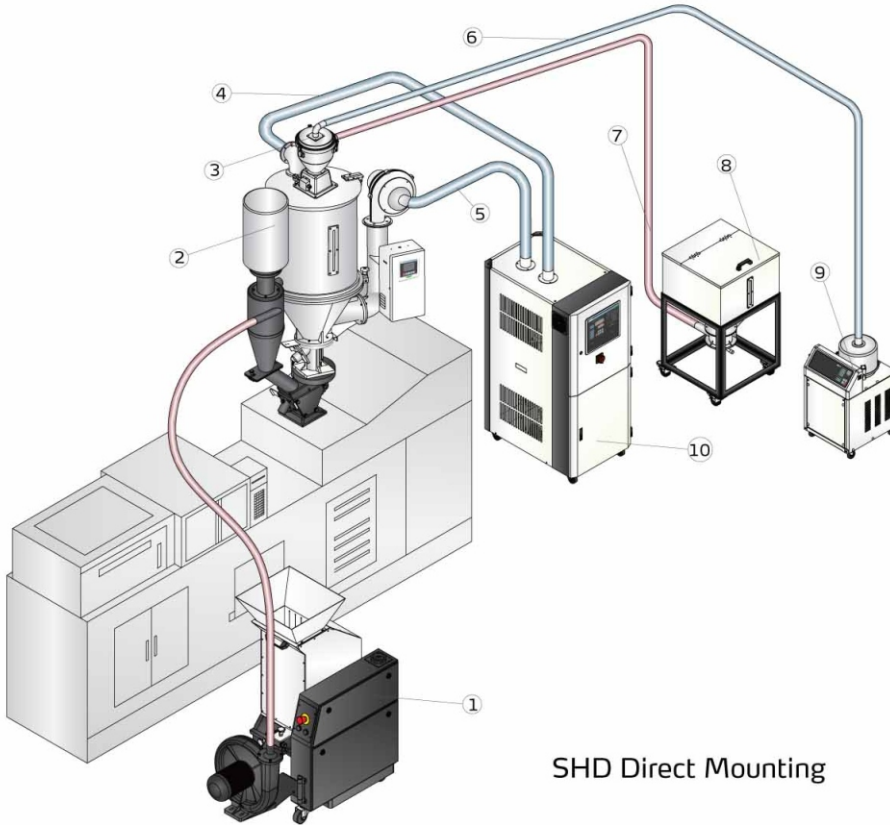
## ■ Working Principle

In the drying process, hot air with constant temperature is blown by a blower into a two-layer insulated hopper to dry the materials. Moisture will be separated out and taken away by hot air, thus to gain a satisfied drying effect.

Air blown out of blower became high temperature drying air after being heated. Through screen protector and hole screen, hot air can be equably dispersed in the material of storage tank (see picture). Hot air recycler is optional so the air enter drying blower after being filtered to form a closed loop circle and save electricity.

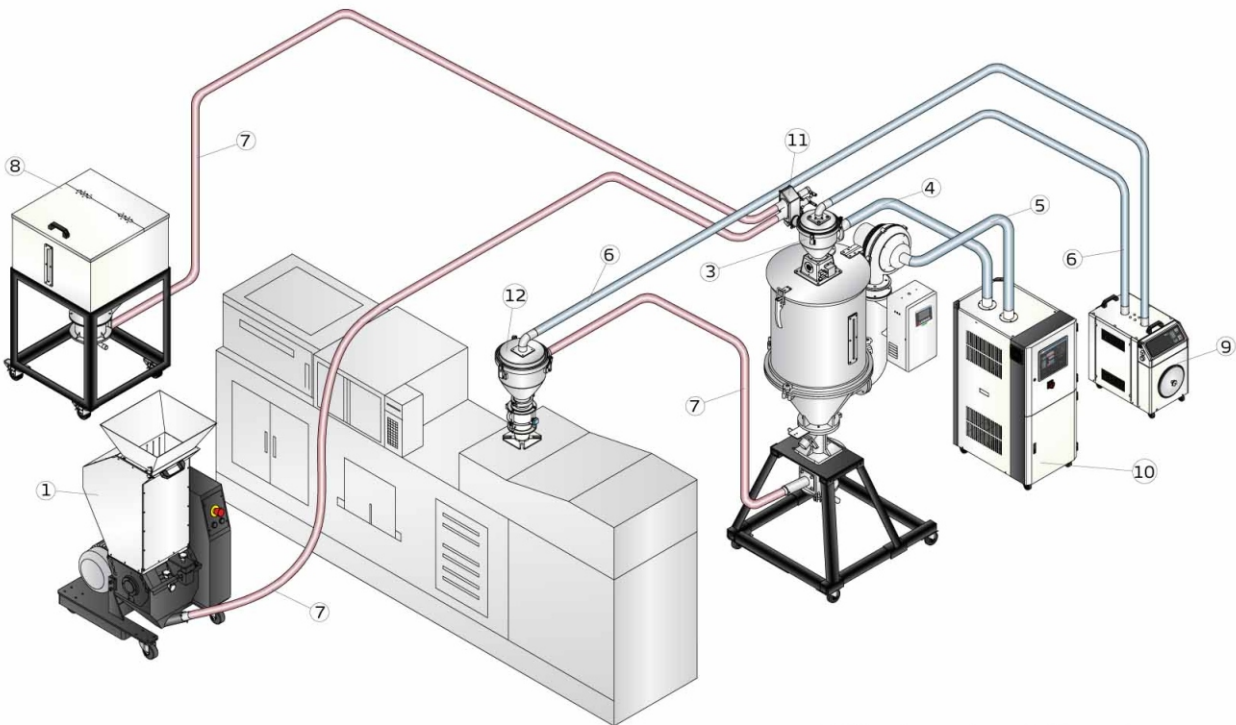


■ Application



- 1.Low-speed granulator
- 2.30-sec instant recycle
- 3.Vacuum hopper
- 4.Return air
- 5.Dehumidifying air
- 6.Vacuum pipe
- 7.Material pipe
- 8.Material tank
- 9.Auto loader
- 10.Honeycomb dehumidifier
- 11.Proportional valve
- 12.Photosensor hopper

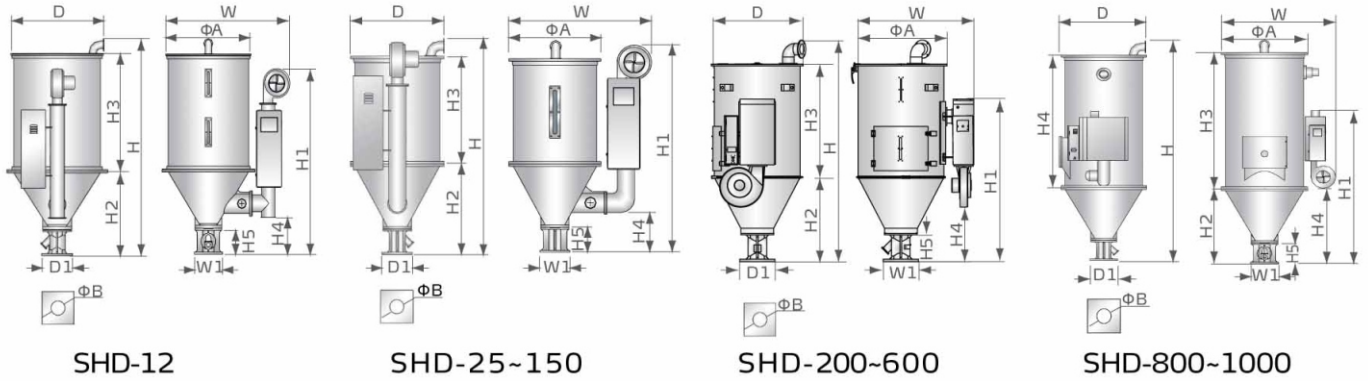
SHD Direct Mounting



SHD Floor Stand Mounting

# SHD Series

## Outline Drawings



## Specifications

Model	SHD-12	25	50	75	100	150	200	300	400	500	600	800	1000	
Heater (kW)	2.2/3*	3/3.3*	3.9/4.2*	4.2/4.8*	6/6.6*	6.6/7.2*	12/9.6*	9.6	18	19.2	21	24	32	
Blower (kW)	0.05	0.12	0.12	0.12	0.12	0.12	0.18	0.18	0.55	0.55	0.55	1.1	1.1	
Loading Capacity	kg	12	25	50	75	100	150	200	300	400	500	600	800	1000
	lb	26.5	55.1	110.2	165.3	220.5	330.7	441	661.4	881.8	1102.3	1322.8	1763.7	2204.6
H	mm	790	1015	1145	1240	1340	1620	1602	1985	2202	2382	2586	2760	3195
	Inch	31.1	40	45	48.8	52.8	63.8	63.0	78.1	86.7	93.8	101.8	108.7	125.8
H1	mm	690	925	1045	1150	1340	1605	1291	1291	1617	1617	1617	2300	2530
	Inch	27	36.4	41.1	45.3	52.8	63.2	50.8	50.8	63.7	63.7	63.7	90.6	99.6
H2	mm	317	410	380	475	470	470	550	550	849	849	849	1013	1013
	Inch	12.5	16.1	15	18.7	18.5	18.5	21.7	21.7	33.4	33.4	33.4	39.9	39.9
H3	mm	370	460	520	620	725	970	815	1200	1115	1295	1499	540	1970
	Inch	14.6	18.1	20.5	24.4	28.5	38.2	32.0	47.2	43.9	60.0	59.0	21.3	77.6
H4	mm	106	194	206	208	233	233	261	261	541	541	541	1550	1845
	Inch	4.2	7.6	8.1	8.2	9.2	9.2	10.3	10.3	21.3	21.3	21.3	61	72.6
H5	mm	115	150	150	150	158	158	158	158	283	283	283	283	283
	Inch	4.5	5.9	5.9	5.9	6.2	6.2	6.2	6.2	11.1	11.1	11.1	11.1	11.1
W	mm	660	725	840	900	955	955	1077	1077	1207	1207	1207	1420	1420
	Inch	26	28.5	33	35.4	37.6	37.6	42.4	42.4	47.5	47.5	47.5	55.9	55.9
D	mm	360	405	490	550	605	605	767	767	935	935	935	600	600
	Inch	14.1	15.9	19.3	21.7	23.8	23.8	30.2	30.3	36.8	36.8	36.8	23.6	23.6
D1	mm	130	158	158	158	238	238	238	238	345	345	345	345	345
	Inch	5.1	6.2	6.2	6.2	9.4	9.4	9.4	9.4	13.6	13.6	13.6	13.6	13.6
W1	mm	130	148	148	148	238	238	238	238	345	345	345	345	345
	Inch	5.1	5.8	5.8	5.8	9.4	9.4	9.4	9.4	13.6	13.6	13.6	13.6	13.6
ΦA	mm	325	385	470	530	595	595	750	750	910	910	910	960	960
	Inch	12.8	15.2	18.5	20.9	23.4	23.4	29.5	29.5	35.8	35.8	35.8	37.8	37.8
ΦB	mm	55	55	55	55	90	90	90	90	105	105	105	105	105
	Inch	2.2	2.2	2.2	2.2	3.5	3.5	3.5	3.5	4.1	4.1	4.1	4.1	4.1
Net Weight	kg	35	40	45	55	70	75	100	120	165	170	240	280	300
	lb	77	88	99	121	154	165	220	265	364	375	529	617	661

- Notes: 1) Above loading capacity is based on pellet material of 0.65kg/L(5.5lb/gal) in bulk density and 3~5mm(0.1~0.2inch) in diameter.  
 2) "\*"stands for high-temperature model, and the max. temperature is 180°C/356°F.  
 3) Maximum drying temperature of SHD-EH is 150°C/302°F  
 4) Power: 3Φ, 230/400/460/575VAC, 50/60Hz.

We reserve the right to change specifications without prior notice.

## Shini Group

Addr: No. 23, Minhe St., Shulin Dist.,  
New Taipei, Taiwan

Tel: +886 2 2680 9119

Fax: +886 2 2680 9229

Email: [shini@shini.com](mailto:shini@shini.com)

### Factories:

- Taiwan
- Dongguan
- Pinghu
- Ningbo
- Chongqing
- Pune

2018-01-15-04 Copyrights Reserved.

[www.shini.com](http://www.shini.com)