

## Container bag discharge station

SS-TKD



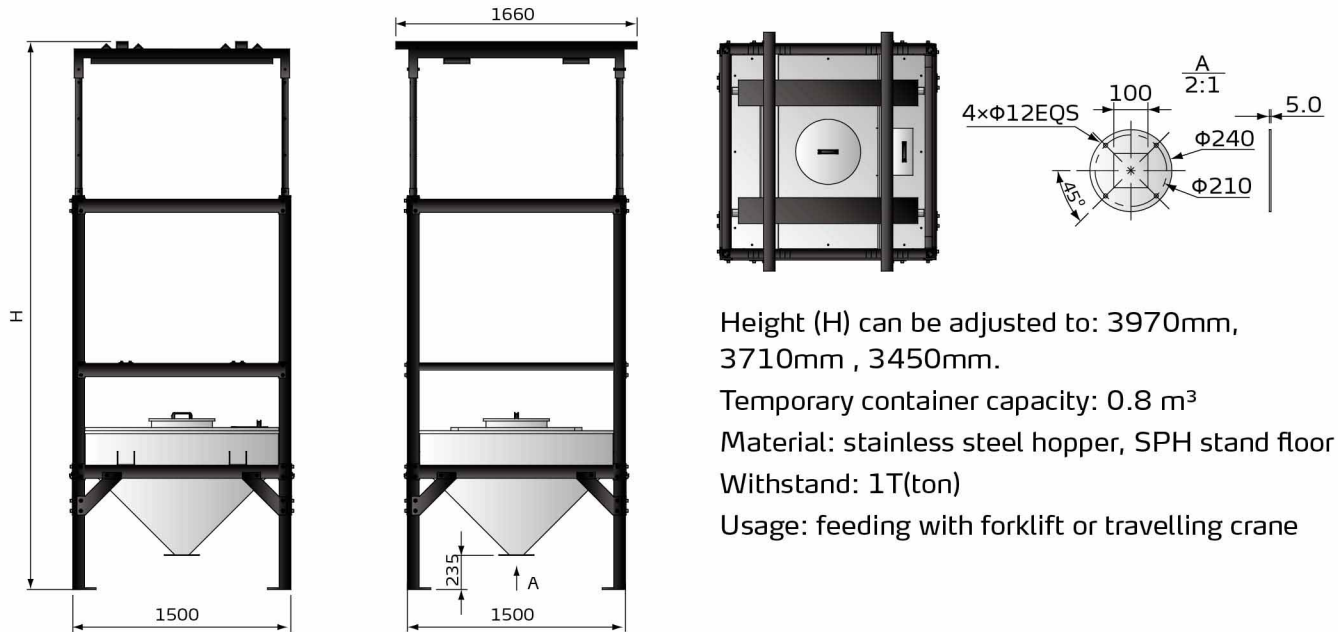
Refer carefully to this manual before operation.

# SS-TK Series

## Application

The container bag discharge station is used for discharging and conveying of materials from the container bag in the plant; With simple operation, its bottom can mount the suction box for production line conveying or silo feeding; which also can install the optional rotary valve and acceleration chamber to feed the large silo.

## Outline Drawings(SS-TK)



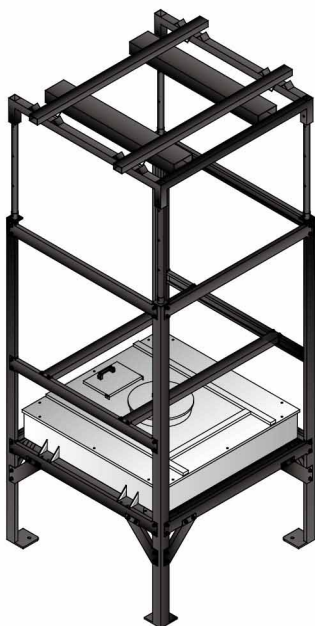
Height (H) can be adjusted to: 3970mm, 3710mm, 3450mm.

Temporary container capacity: 0.8 m<sup>3</sup>

Material: stainless steel hopper, SPH stand floor

Usage: feeding with forklift or travelling crane

## 3D Diagram

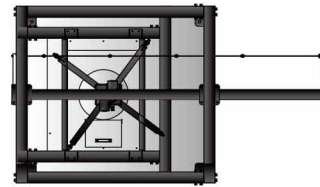
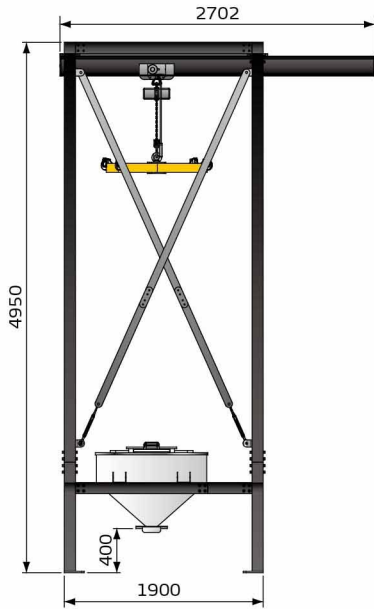


## Feeding with forklift



## ■ Outline Drawings(SS-TKD)

Optional with electrical hoist



Electrical hoist: load 2T,  
Spe.: 3 $\Phi$ /380V/50HZ

Range of use: total length of the container  
bag  $\leq$ 2350mm (with hoisting belt)

Temporary container capacity: 0.4 m<sup>3</sup>

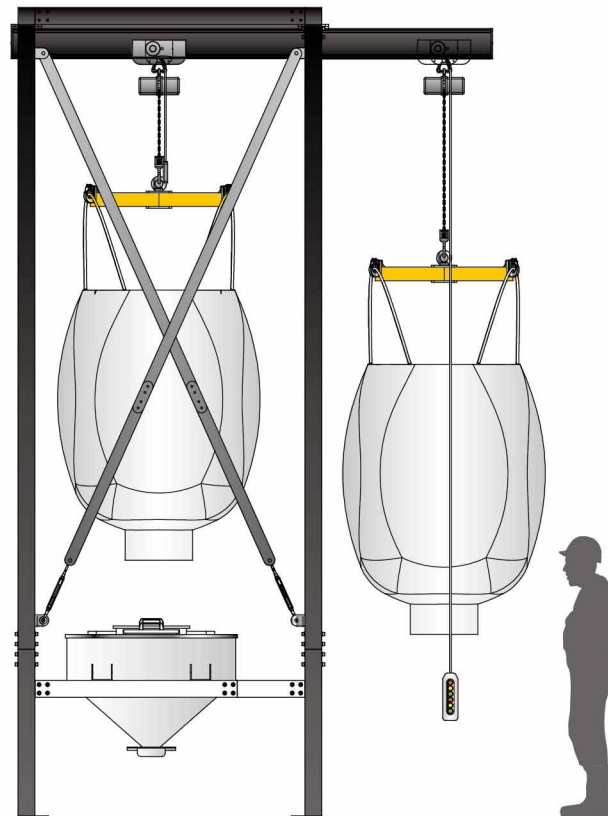
Standard shut-off plate

Suction box is optional

## 3D Diagram



## Operations



## Shini Group

Addr: No. 23, Minhe St., Shulin Dist.,  
New Taipei, Taiwan

Tel: +886 2 2680 9119

Fax: +886 2 2680 9229

Email: [shini@shini.com](mailto:shini@shini.com)

### Factories:

- Taiwan
- Dongguan
- Pinghu
- Ningbo
- Chongqing
- Pune

2017-11-15-04 Copyrights Reserved.

[www.shini.com](http://www.shini.com)