



Separate-vacuum Hopper Loader

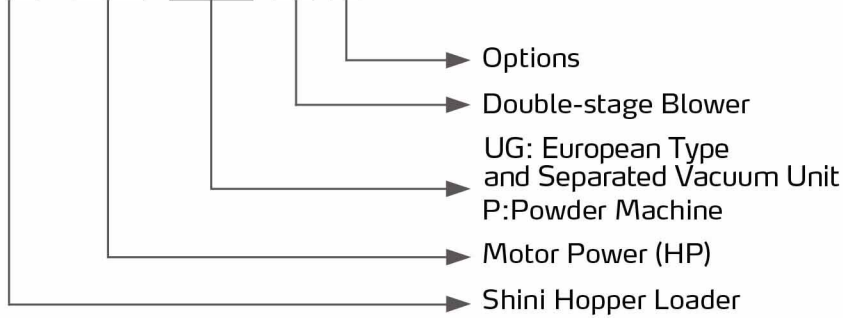
SAL-5HP-UG & SHR-24U



Refer carefully to the manual before operation.

■ Coding Principle

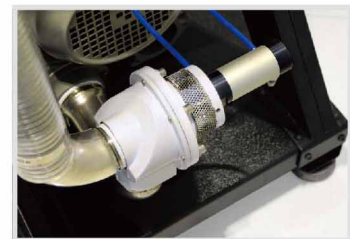
SAL - xxHP-UG(P)-(D)-xx



SAL-5HP-UG&SHR-24U-E

■ Features

- Two-stage cyclone and filter technology with large dust bin for quick and easy maintenance.
- Controller build-in proportional valve SPV-U control function.
- Standard vacuum breaking valve for quick material discharge.
- Stainless steel hopper receiver



Vacuum breaking valve

■ Options

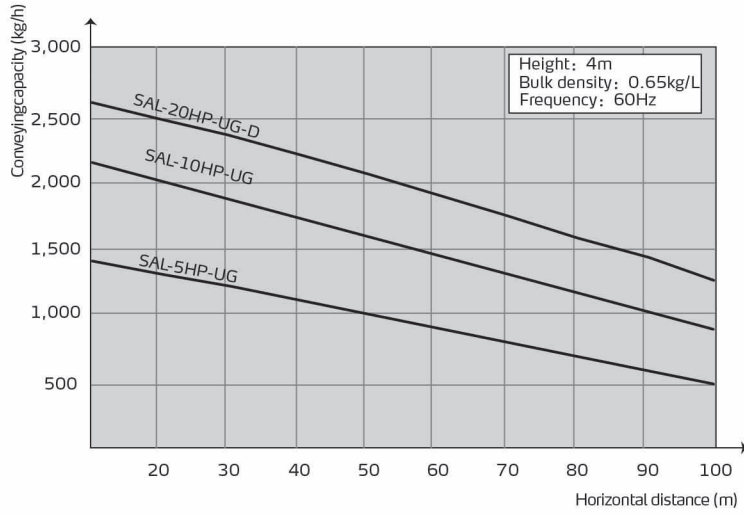
Air accumulator auto purging device



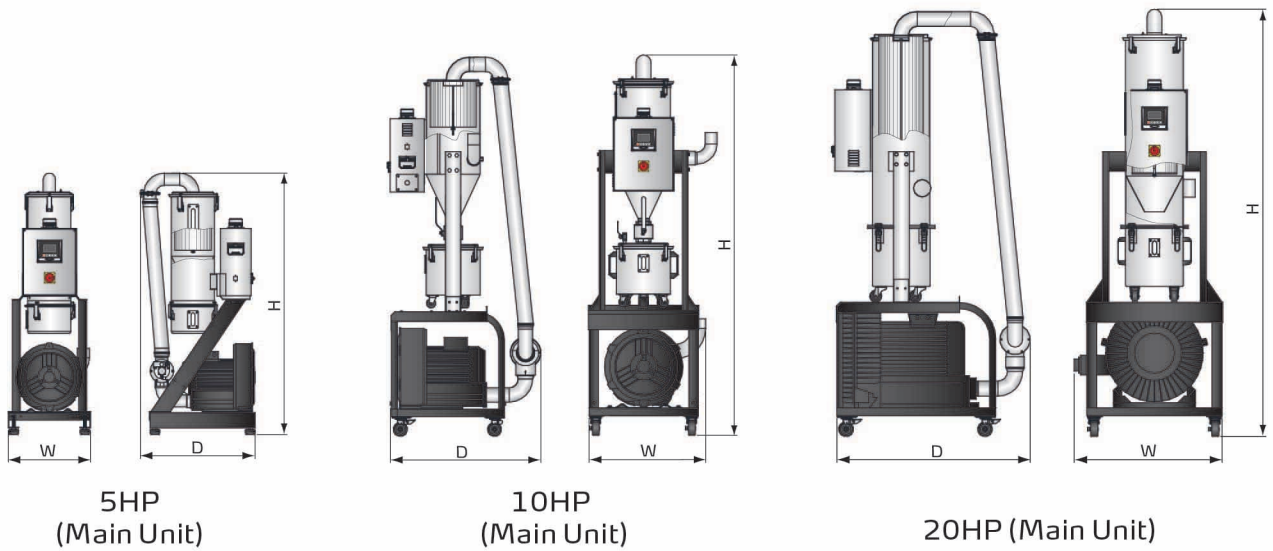
In cases of conveying highly dusty material, the main vacuum unit can be equipped with air accumulator for auto purging function to reduce the maintenance cycle. Add "A" at the end of the model code (suitable for 5HP and above).

SAL-UG/UGP Series

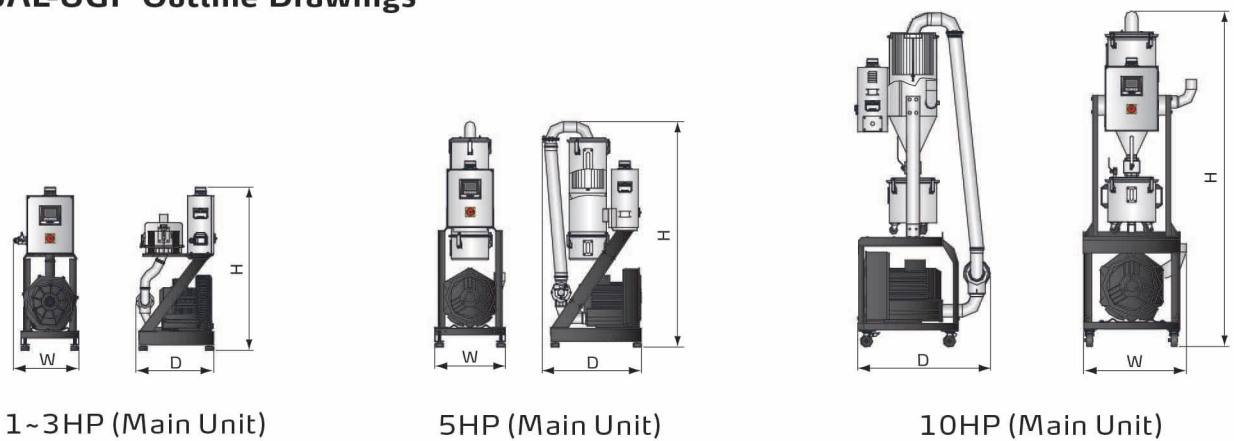
SAL-UG Conveying Capacity



SAL-UG Outline Drawings



SAL-UGP Outline Drawings





SAL-UG Specifications

Main Unit							Hopper Receiver				Conveying Pipe Dia. (Inch)	Vacuum Pipe Dia. (Inch)	Conveying Capacity		
Model	Motor Power(kW) (50/60Hz)	Specification	Dimension H×W×D		Weight		Applied to	Hopper Capacity		Weight			kg/hr	lb/hr	
			mm	inch	kg	lb		L	gal	kg	lb				
SAL-5HP-UG	3.75/ 4.2	3Φ	1380×470×600	54.3×18.5×23.6	74	163	SHR-24U ×1	24	6.4	9	20	2	2	1000	2205
SAL-5HP-UG-D	3.4/ 3.8		1380×670×600	54.3×26.4×23.6	76	168	SVH-24L ×1			13	29			1125	2480
SAL-10HP-UG	7.5/ 8.6	3Φ	2015×620×795	79.3×24.4×31.3	160	353	SHR-36U ×1	36	9.5	11	24	2	2.5	1600	3527
SAL-10HP-UG-D			2015×790×795	79.3×31.1×31.3	162	357				15	33			2000	4409
SAL-20HP-UG-D	13/ 18.7	3Φ	2200×745×1000	86.6×29.3×39.4	236	520	SHR-48U ×1	48	12.7	15	33	2.5	3	2000	4409

Notes:1) "SVH-L" stands for photosensor hopper receiver, "SHR-U" refers to vacuum hopper receiver.

2) Test condition of conveying capacity: Plastic material of bulk density 0.65kg/L(5.5lb/gal),

dia. 3~5mm/0.12~0.2inch, vertical conveying height: 4m/13.1feet, horizontal conveying distance: 5m/16.4feet.

3) Power supply: 3Φ, 230/400/460/575V, 50/60Hz

SAL-UGP Specifications (With cloth filter, this series is suitable for conveying materials containing 30% powder.)

Main Unit			Hopper Receiver								Cloth Filter Quantity	(Main Unit) H×W×D	
Model	Motor Power (kW, 50/60Hz)	Specification	Applied to	Conveying Pipe Dia. (inch)	Air Suction Pipe Dia. (inch)	Hopper Capacity		Hopper Dia.		Conveying Capacity		mm	inch
						L	gal	mm	inch	kg/hr	lb/hr		
SAL-1HP-UGP	0.75/0.85	3Φ	SHR-P-12U	1.5	1.5	12	3.2	Φ270	Φ10.6	300	661	1000×400×500	39.4×15.7×19.7
SAL-2HP-UGP	1.5/1.8	3Φ	SHR-P-30U			30	7.9	Φ380	Φ15	400	882		
SAL-3HP-UGP	1.85/2.0	3Φ	SHR-P-60U	2	2	60	15.9	Φ440	Φ17.3	650	1433	1380×470×600	54.3×18.5×23.6
SAL-5HP-UGP	3.75/4.2	3Φ								1200	2646		
SAL-5HP-UGP-D													
SAL-10HP-UGP	7.5/8.6	3Φ	SHR-P-90U	2.5	2.5	90	23.8	Φ550	Φ21.7	2000	4409	2015×620×795	79.3×24.4×31.3
SAL-10HP-UGP-D													

We reserve the right to change specifications without prior notice.

SAL-UGP Specifications (With plate filter, this series is suitable for conveying materials containing 100% powder.)

Main Unit			Hopper Receiver								Plate Filter Quantity	(Main Unit) H×W×D	
Model	Motor Power (kW, 50/60Hz)	Specification	Applied to	Conveying Pipe Dia. (inch)	Vacuum Pipe Dia. (inch)	Hopper Capacity		Hopper Dia.		Conveying Capacity		mm	inch
						L	gal	mm	inch	kg/hr	lb/hr		
SAL-1HP-UGP	0.75/0.85	3Φ	SHR-P-30U-1	1.5	1.5	30	7.9	Φ270	Φ10.6	300	661	1000×400×500	39.4×15.7×19.7
SAL-2HP-UGP	1.5/1.8	3Φ	SHR-P-30U-2			30	7.9	Φ380	Φ15	400	882		
SAL-3HP-UGP	1.85/2.0	3Φ	SHR-P-60U-3	2	2	60	15.9	Φ440	Φ17.3	650	1433	1380×470×600	54.3×18.5×23.6
SAL-5HP-UGP	3.75/4.2	3Φ								1200	2646		
SAL-5HP-UGP-D													
SAL-10HP-UGP	7.5/8.6	3Φ	SHR-P-90U-5	2.5	2.5	90	23.8	Φ550	Φ21.7	2000	441	2015×620×795	79.3×24.4×31.3
SAL-10HP-UGP-D													

Notes: 1) Test condition of conveying capacity: Use dried powder plastic material without any viscosity and its bulk density is 0.6kg/L(5.5lb/gal), vertical conveying height: 4m/13.1feet, horizontal conveying distance: 5m/16.4feet.

2) Power supply: 3Φ, 230/400/460/575V, 50/60Hz.

We reserve the right to change specifications without prior notice.