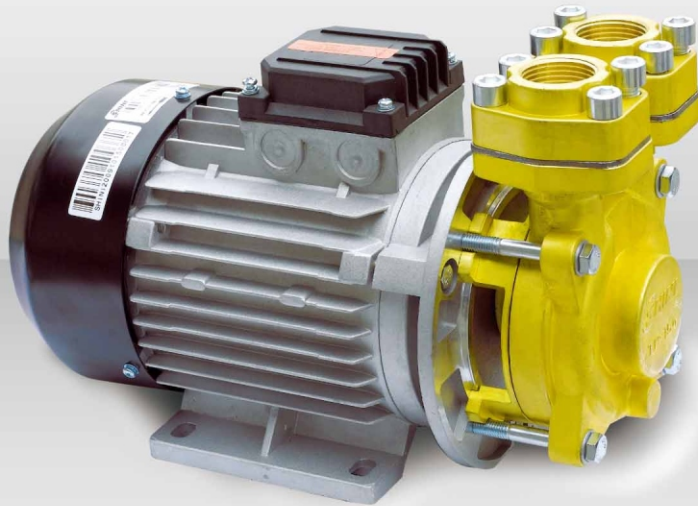


Turbo Pump

TP-150



Refer carefully to this manual before operation.

■ Coding Principle



Note: *

37=370W 55=550W 75=750W 150=1500W 280=2800W

■ Features

- Constant flow rate, high pressure and noise lower than 85dB.
- With attractive appearance, has a quick access to dismantling and maintenance.
- Applicable to water and oil medium, with 120°C and 200°C respectively.

■ Application

It is mainly used in industrial recirculating water, construction water draining, agricultural irrigation and drainage and drinking water supply of residents.

■ Working Principle

Impeller with high speed rotation allows liquid to obtain energy and pressure has been escalated. To avoid cavitation, pump body and inlet pipe should be full of water before running water pump. As impeller rotates fast, water is splashed out of pump due to centrifugal force, and a vacuum in impeller center will be formed. With atmospheric pressure, water source is pressurized in to inlet pipe through pipe network. Then circulation of water continues on and on.

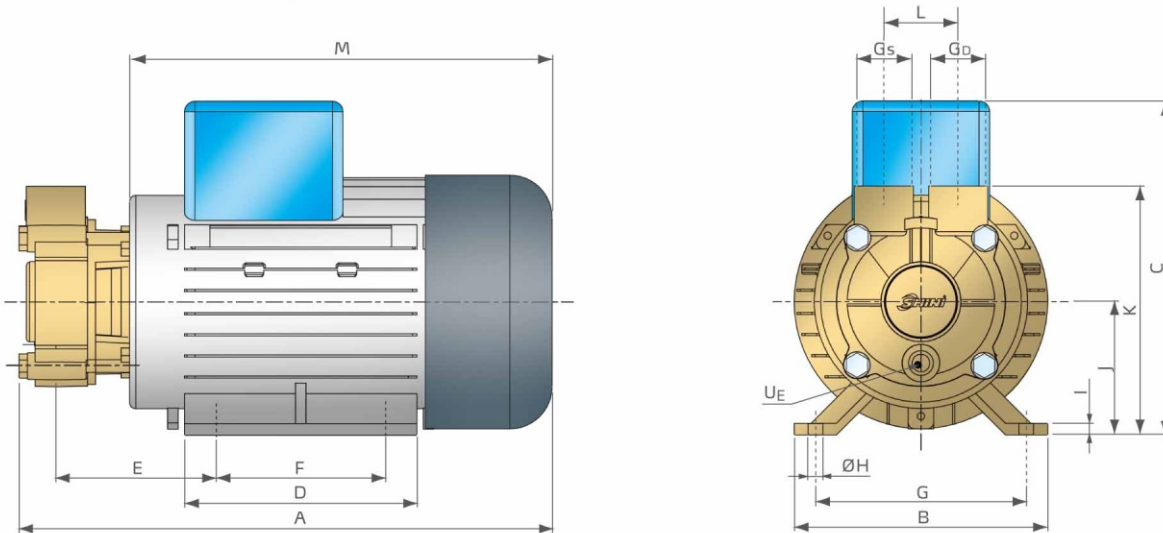
Performance Table

Model	50Hz / cycles / 2800r / min						60Hz / cycles / 3400r / min					
	Motor power/Max.flow rate/Max. head						Motor power/Max.flow rate/Max. head					
	kW	L / min	m	HP	U.S.GPM	feet	kW	L / min	m	HP	U.S.GPM	feet
TP-37	0.37	23.5	30	0.49	6.2	98	0.37	30.5	42	0.49	8.1	137
TP-55	0.55	24.5	31.3	0.74	5.3	102	0.55	30.8	43.9	0.74	6.7	144
TP-75	0.75	39.5	48.5	1	8.6	159	0.75	45.1	68.1	1	9.9	223
TP-150	1.5	60.1	69.6	2	13.2	197	1.5	60.1	95.5	2	13.2	313
TP-280	2.8	63.1	84.0	3.7	13.8	275	2.8	63.3	111	3.7	13.8	364
TP-400	4.0	64	99	5.4	16.9	324	4.0	63.6	133	5.4	16.8	436

Model	G _s	G _D	U _e	Motor						G / W / P	
				50Hz / cycles			60Hz / cycles			kg	lbs
				kW	r/min	HP	kW	r/min	HP		
TP-37	G1/2	G1/2	G1/8	0.37	2800	0.49	0.37	3400	0.49	6	8.8
TP-55	G1/2	G1/2	G1/8	0.55	2800	0.74	0.55	3400	0.74	6.5	14.3
TP-75	G3/4	G3/4	G1/8	0.75	2800	1	0.75	3400	1	10	22
TP-150	SAE1	SAE1	G1/4	1.5	2800	2	1.5	3400	2	17	37.5
TP-280	SAE1	SAE1	G1/4	2.8	2800	3.7	2.8	3400	3.7	25	55
TP-400	SAE1	SAE1	G1/4	4.0	2800	5.4	4.0	3400	5.4	33	72.5

We reserve the right to change specifications without prior notice.

Outline Drawings

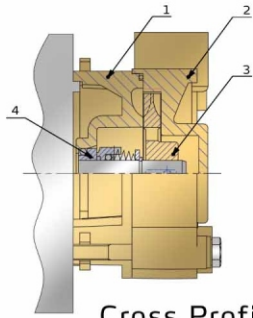


TP55 /TP75 Outline Drawings

Model	A	B	C	D	E	F	G	H	I	J	K	L	M
TP-37	258	120	158	100	70	80	100	10	8	63	117	35	202
TP-55	258	120	158	100	70	80	100	8	8	63	117	35	202
TP-75	290	140	180	115	90	90	110	8	9	75	145	55	220

We reserve the right to change specifications without prior notice.

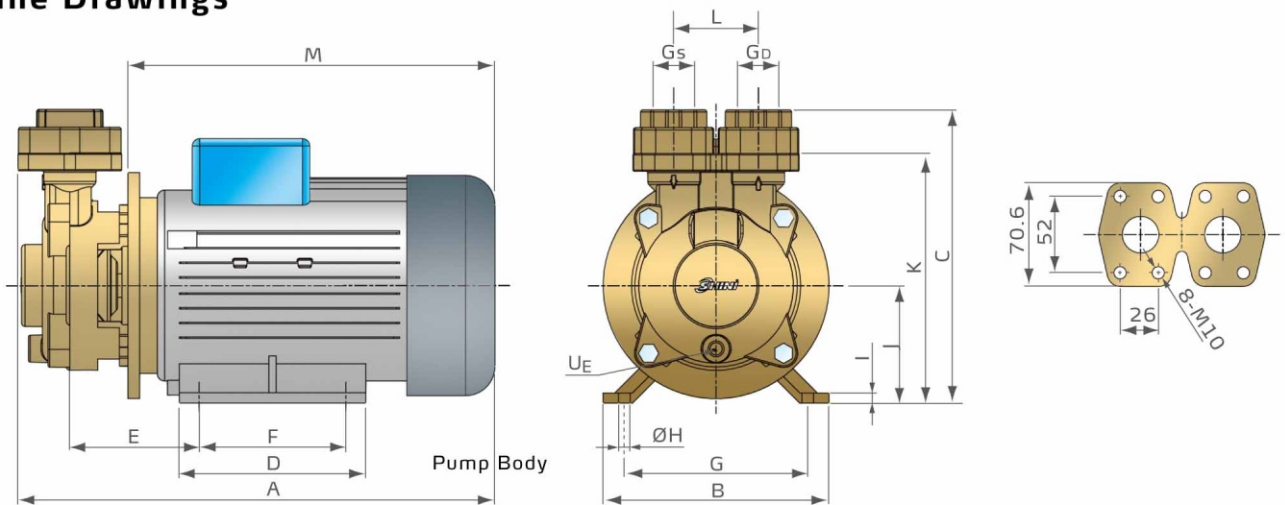
TP Series



Cross Profile

Number	Name	Material
1	Shaft Seal Base	GB T5231-2001 H62
2	Pump Body	GB T5231-2001 H62
3	Impeller	GB T5231-2001 H62
4	Mechanical Shaft Seal	Carborundum, Fluororubber

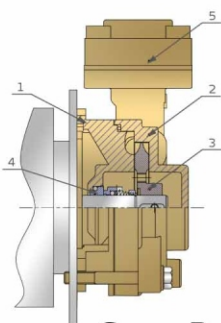
Outline Drawings



TP150 /TP280 Outline Drawings

Model	A	B	C	D	E	F	G	H	I	J	K	L	M
TP-150	330	155	200	130	92	100	130	10	10	83	170	56	250
TP-280	400	178	230	150	130	127	147	10	12	110	200	60	278
TP-400	433	206	292	176	135	140	162	12	15	106	200	60	317

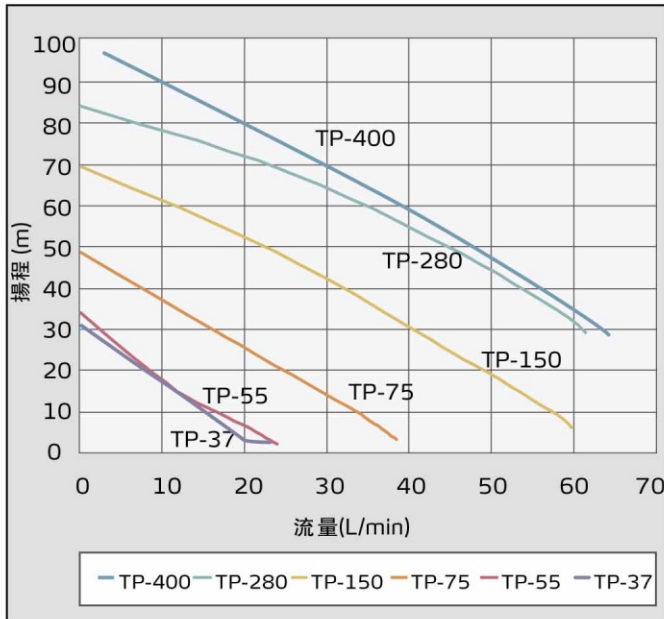
We reserve the right to change specifications without prior notice.



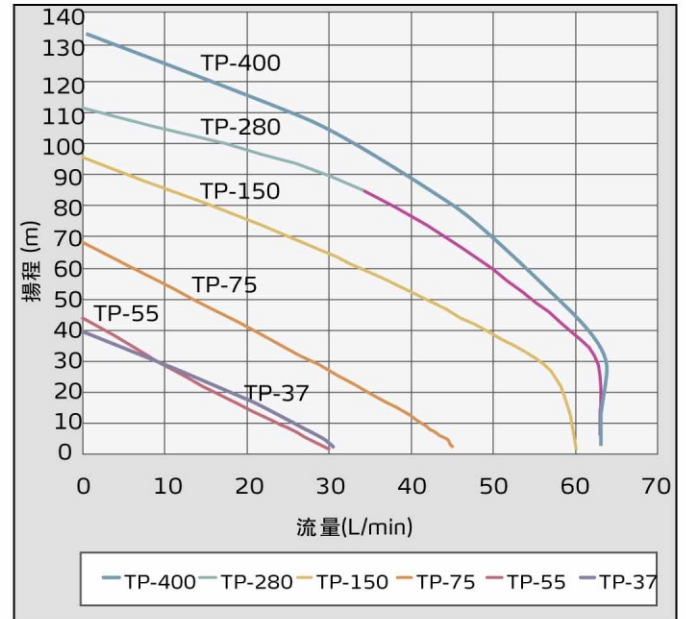
Cross Profile

Number	Name	Material
1	Shaft Seal Base	GB T5231-2001 H62
2		GB T5231-2001 H62
3	Impeller	GB T5231-2001 H62
4	Mechanical Shaft Seal	Carborundum, Fluororubber
5	Flange	GB T5231-2001 H62

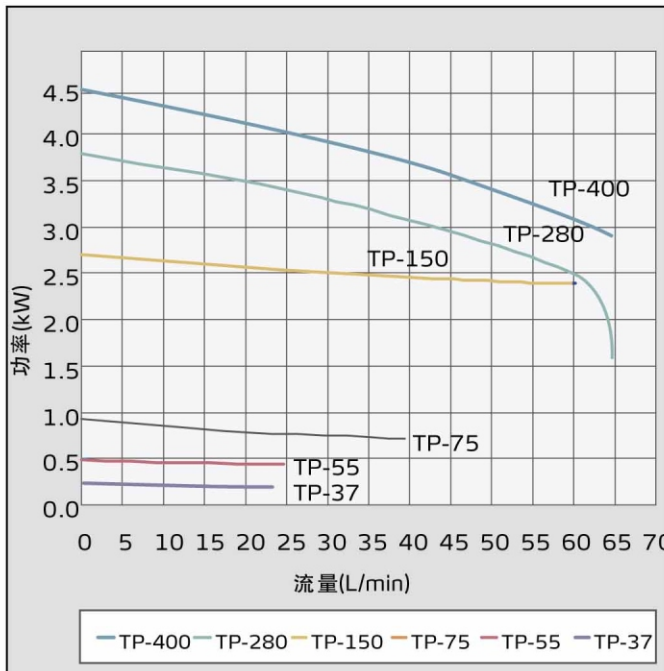
Performance Curve



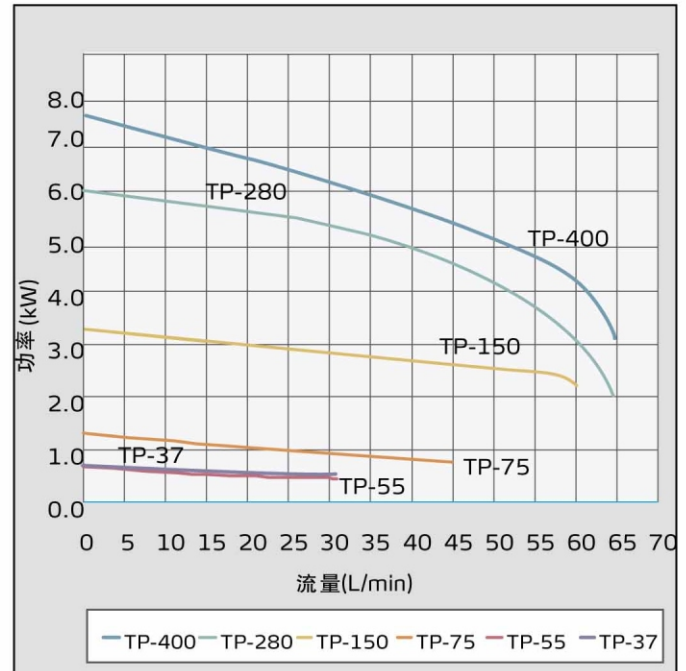
50Hz-cycles/2800r/min-rpm-tr/min



60Hz-cycles/3400r/min-rpm-tr/min



50Hz-cycles/2800r/min-rpm-tr/min



60Hz-cycles/3400r/min-rpm-tr/min

Test condition:

- 1, Performance curve is based on the regular flow when water is 20°C. Error of Head and flow rate is ±10%, performance error is ±10%.
- 2, Pump performance will vary due to different densities of flow medium.

Shini Group

Addr: No. 23, Minhe St., Shulin Dist.,
New Taipei, Taiwan

Tel: +886 2 2680 9119

Fax: +886 2 2680 9229

Email: shini@shini.com

Factories:

- Taiwan
- Dongguan
- Pinghu
- Ningbo
- Mumbai

2013-06-15-04 Copyrights Reserved.

www.shini.com