



Separate-vacuum Hopper Loader

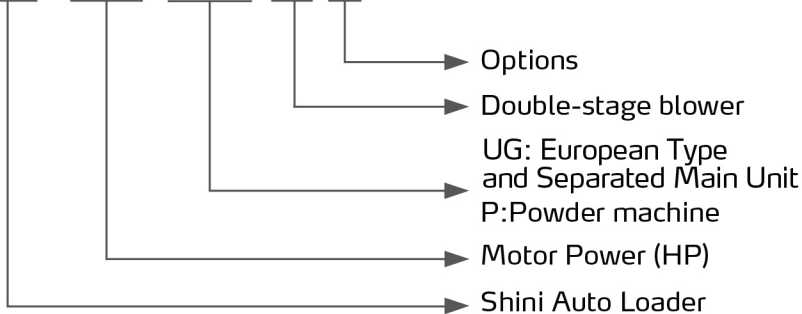
SAL-5HP-UG & SHR-24U



Refer carefully to this manual before operation.

■ Coding Principle

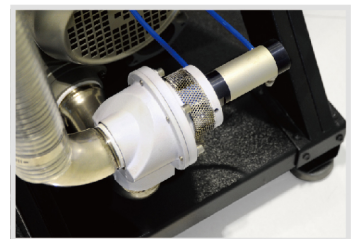
SAL - xxHP-UG(P)-(D)-xx



SAL-5HP-UG&SHR-24U-E

■ Features

- Data backed up on EPROM in case of power failure and does not require back up battery
- SAL-5HP-UG/UGP adopts cyclone filtering integrated design to effectively reduce the load of filter
- Controllable proportional valve SPV-U
- Standard equipped with alarm lamp
- SAL-5HP-UG and models above, all series of SAL-UGP are standard equipped with the vacuum breaking valve to protect the blower.
- SAL-UG series collocated with stainless steel hopper ensures no material contamination, which feature large suction power, long service life that is uneasy to damage.



Vacuum breaking diaphragm valve

■ Application

SAL-UG hopper loaders mainly work with SHR-U hopper receivers to convey large batches of materials in long distance, which also can be used to convey various plastics. This series of loaders are able to convey dried materials stably. If it requires conveying powders, then SAL-UGP must be adopted to collocate with different SHR-P-U hopper receivers according to the powder content in materials to fulfill the process.

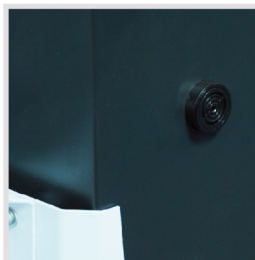
■ Options

Air accumulator auto purging device



In the case of much impurity or recycled materials included in raw materials, main unit can be equipped with air accumulator auto purging device as options, and add "A" at the end of the model code. (Suitable for SAL-5HP-UG and models above)

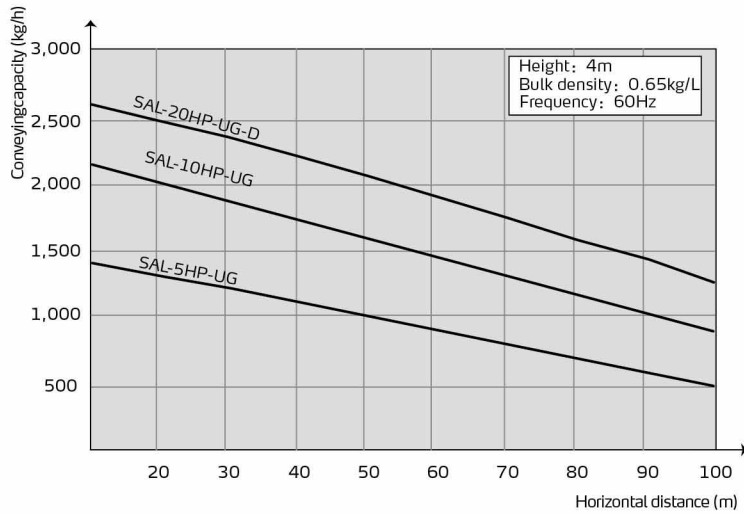
Buzzer



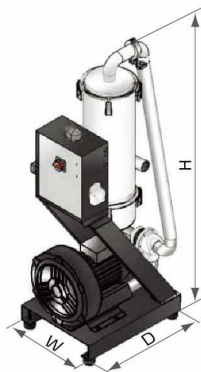
Buzzer is available as an option. Add "B" at the end of the model code.

SAL-UG/UGP Series

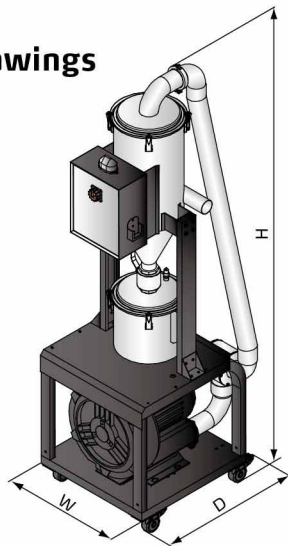
SAL-UG Conveying Capacity



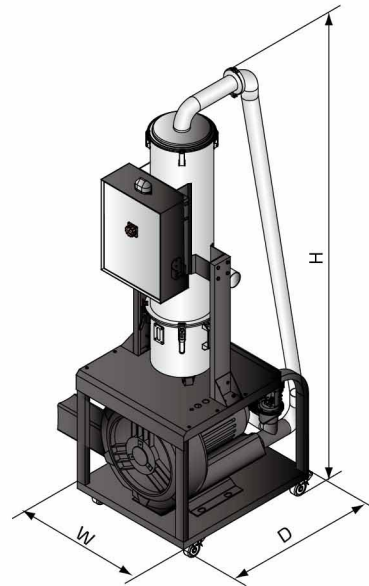
SAL-UG Outline Drawings



5HP
(Main Unit)

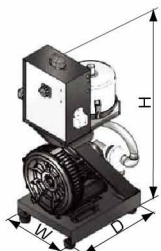


10HP
(Main Unit)

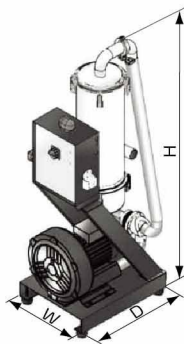


20HP (Main Unit)

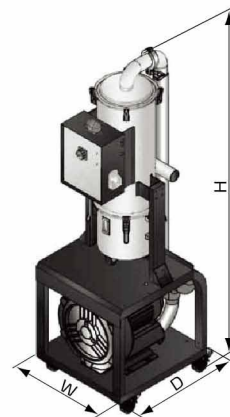
SAL-UGP Outline Drawings



1~3HP (Main Unit)



5HP (Main Unit)



10HP (Main Unit)



■ SAL-UG Specifications

Main Unit							Hopper Receiver				Conveying Pipe Dia. (Inch)	Vacuum Pipe Dia. (Inch)	Conveying Capacity		
Model	Motor Power(kW) (50/60Hz)	Specifi- cation	Dimension H×W×D		Weight		Applied to	Hopper Capacity		Weight			kg/hr	lb/hr	
			mm	inch	kg	lb		L	gal	kg	lb				
SAL-5HP-UG	3.75/ 4.2	3Φ	1380×470×600	54.3×18.5×23.6	74	163	SHR-24U ×1	24	6.4	9	20	2	2	1000	2205
SAL-5HP-UG-D	3.4/ 3.8		1380×670×600	54.3×26.4×23.6	76	168	SVH-24L ×1			13	29			1125	2480
SAL-10HP-UG	7.5/ 8.6	3Φ	1988×580×790	78.3×22.8×31.1	160	353	SHR-36U ×1	36	9.5	11	24	2	2.5	1600	3527
SAL-10HP-UG-D			1988×750×787	78.3×29.5×31	162	357				15	33			2000	4409
SAL-20HP-UG-D	13/ 18.7	3Φ	2270×745×1000	89.4×29.3×39.4	236	520	SHR-48U ×1	48	12.7	15	33	2.5	3	2000	4409

Notes:1) "SVH-L" stands for photosensor hopper receiver, "SHR-U" refers to vacuum hopper receiver.

2) Test condition of conveying capacity: Plastic material of bulk density 0.65kg/L(5.5lb/gal),

dia. 3~5mm/0.12~0.2inch, vertical conveying height: 4m/13.1feet, horizontal conveying distance: 5m/16.4feet.

3) Power supply: 3Φ, 230/400/460/575V, 50/60Hz

■ SAL-UGP Specifications (With cloth filter, this series is suitable for conveying materials containing 30% powder.)

Main Unit			Hopper Receiver										Cloth Filter Quantity	(Main Unit) H×W×D	
Model	Motor Power (kW, 50/60Hz)	Specifi- cation	Applied to	Conveying Pipe Dia. (inch)	Air Suction Pipe Dia. (inch)	Hopper Capacity		Hopper Dia.		Conveying Capacity		mm		inch	
						L	gal	mm	inch	kg/hr	lb/hr				
SAL-1HP-UGP	0.75/0.85	3Φ	SHR-P-12U	1.5	1.5	12	3.2	Φ270	Φ10.6	300	661	1000×400×500	39.4×15.7×19.7		
SAL-2HP-UGP	1.5/1.8	3Φ	SHR-P-30U			30	7.9	Φ380	Φ15	400	882			7	
SAL-3HP-UGP	1.85/2.0	3Φ	SHR-P-60U	2	2	60	15.9	Φ440	Φ17.3	650	1433	1380×490×590	54.3×19.3×23.2		
SAL-5HP-UGP	3.75/4.2	3Φ								1200	2646			10	
SAL-5HP-UGP-D												1380×690×590	54.3×27×23.2		
SAL-10HP-UGP	7.5/8.6	3Φ	SHR-P-90U	2.5	2.5	90	23.8	Φ550	Φ21.7	2000	4409	1830×585×675	72×23×26.6		
SAL-10HP-UGP-D															

We reserve the right to change specifications without prior notice.

SAL-UGP Specifications (With plate filter, this series is suitable for conveying materials containing 100% powder.)

Main Unit			Hopper Receiver										Plate Filter Quantity	(Main Unit) H×W×D	
Model	Motor Power (kW, 50/60Hz)	Specifi- cation	Applied to	Conveying Pipe Dia. (inch)	Vacuum Pipe Dia. (inch)	Hopper Capacity		Hopper Dia.		Conveying Capacity		mm		inch	
						L	gal	mm	inch	kg/hr	lb/hr				
SAL-1HP-UGP	0.75/0.85	3Φ	SHR-P-30U-1	1.5	1.5	30	7.9	Φ270	Φ10.6	300	661	1000×400×500	39.4×15.7×19.7		
SAL-2HP-UGP	1.5/1.8	3Φ	SHR-P-30U-2			30	7.9	Φ380	Φ15	400	882			2	
SAL-3HP-UGP	1.85/2.0	3Φ	SHR-P-60U-3	2	2	60	15.9	Φ440	Φ17.3	650	1433	1380×490×590	54.3×19.3×23.2		
SAL-5HP-UGP	3.75/4.2	3Φ								1200	2646			3	
SAL-5HP-UGP-D												1380×690×590	54.3×27×23.2		
SAL-10HP-UGP	7.5/8.6	3Φ	SHR-P-90U-5	2.5	2.5	90	23.8	Φ550	Φ21.7	2000	441	1830×585×675	72×23×26.6		
SAL-10HP-UGP-D															

Notes: 1) Test condition of conveying capacity: Use dried powder plastic material without any viscosity and its bulk density is 0.6kg/L(5.5lb/gal), vertical conveying height: 4m/13.1feet, horizontal conveying distance: 5m/16.4feet.

2) Power supply: 3Φ, 230/400/460/575V, 50/60Hz.

We reserve the right to change specifications without prior notice.