

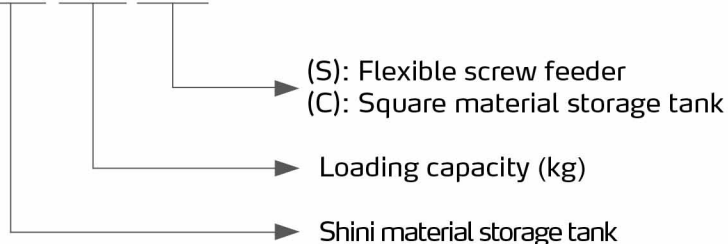
Material storage tank & Suction box



MST&SBU Series

■ Coding Principle

MST-XXX (S/C)



■ Features

- Made up of SUS201, durable service.
- Material storage tank MST is round shaped and material storage tank MST-S/C is square shaped;
- MST-S, only applies to SSC;
- The top cap of MST-50 is connected with the tank on one side, open it to add materials. The top cap of MST-100~500 consists of two parts (half fixed and half can be opened), convenient for adding materials.
- MST-C is equipped with Euro-material suction box (single pipe), convenient for material conveying.



MST



MST-S



MST-C

■ Application

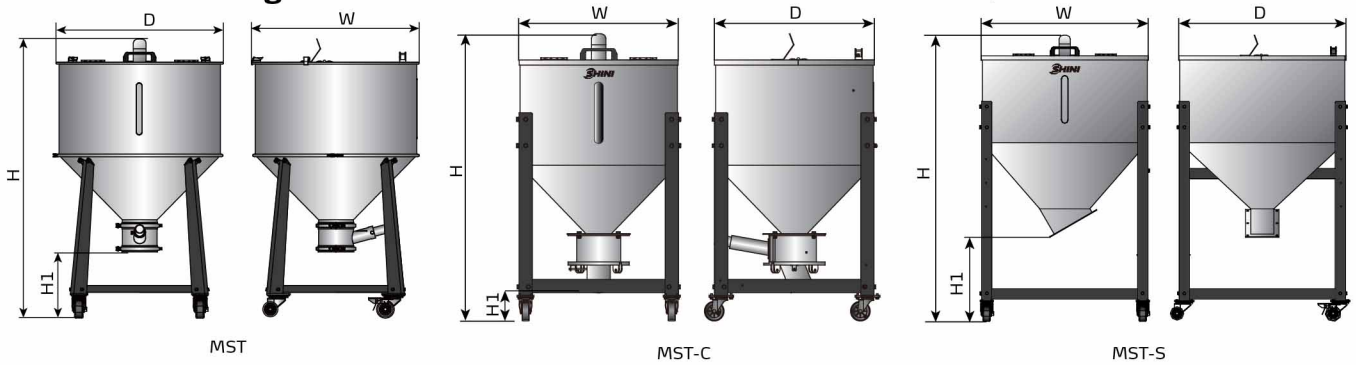
Mainly used for material storage, placed beside material room or IMM; Works with granulator to convey regrind material, ensuring instant reuse of recycled material.

MST&MST-C is outfitted with a 1.5" material suction box, with the option of the material suction box in various specs or material shut-off suction box.

■ Options

All material contacted surfaces of the material storage tank MST are polished, and add "P" at the end of the model code.

Outline Drawings



Specifications

Model	Capacity (kg) *	Dimensions (mm) H x H ₁ x W x D	SBU model	Weight (kg)
MST-50	50	990×273×580×580	SBU-50	28.5
MST-100	100	1100×286×750×750	SBU-100	32.5
MST-200	200	1170×284×910×910		43.5

Model	Capacity (kg) *	Dimensions (mm) H x H ₁ x W x D	SBU model	Weight (kg)
MST-50C	50	885×144×519×543	SBU-20	30
MST-100C	100	1093×106×625×651	SBU-160	48
MST-200C	200	1169×102×825×851		62
MST-500C	500	1582×149×1259×1274		105

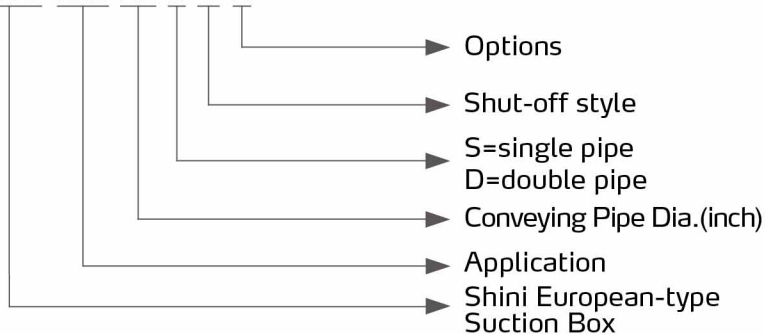
Model	Capacity (kg) *	Dimensions(mm) H×H ₁ × W × D	Weight (kg)
MST-100S	100	1180×387×615×615	52
MST-200S	200	1290×408×815×815	66
MST-300S	300	1540×388×930×930	80
MST-500S	500	1630×417×1240×1240	110

Notes: 1) "*" stands for above loading capacity is based on pellet material of 0.65kg/L (5.5lb/gal) in bulk density and 3~5mm(0.1~0.2inch) in diameter.
2) Special models can be customized.

MST&SBU Series

■ Coding Principle

SBU-xxx-xx-x-V-x



■ Features

- Special internal structure ensures smooth material conveying
- Standard suction box with air-feeding hole, easy to use; shut-off suction box equipped with air feeding pipe to form closed conveying cycle and avoid pipe blockage;
- The suction box SBU-20/160 is made of Aluminum, with integrated design; The suction box SUB-50/100 is made of stainless steel.



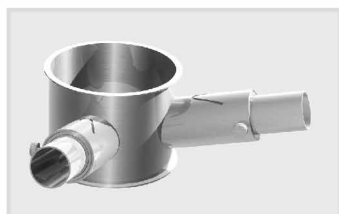
SBU-20/160-S



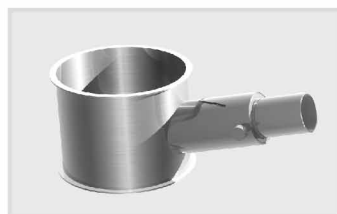
SBU-20/160-D



SBU-20/160-S-V



SBU-50/100-D



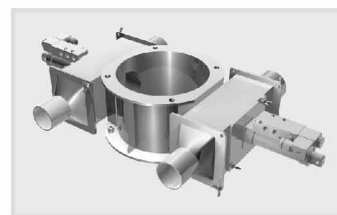
SBU-50/100-S



SBU-50/100-S-V

■ Options

- Stainless steel is optional for SBU-20/160, add "S" at the end of the model code.
- If selecting stainless steel, parts contacting with materials can be polished, add "P" at the end of the model code.

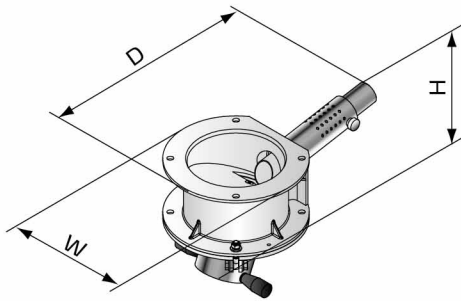


SBU-160-63D-V

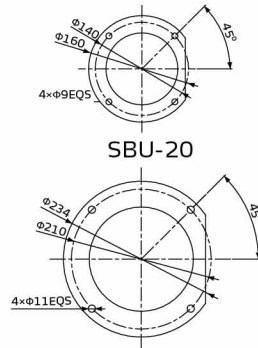
■ Application

The suction box SBU-20/160 is installed at the bottom of drying tank or other storage devices, and the suction box SBU-50/100 is installed at the bottom of material storage tank that can work with negative pressure conveying system to convey materials. Standard suction box is applicable for short distance conveying, while the shut-off suction box, which is equipped with material shutting off function, can prevent material remaining in pipe, moisture regain and pipe blockage during long distance conveying.

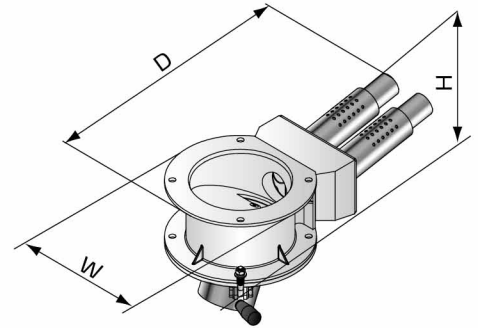
Outline Drawings



SBU-20/160-S



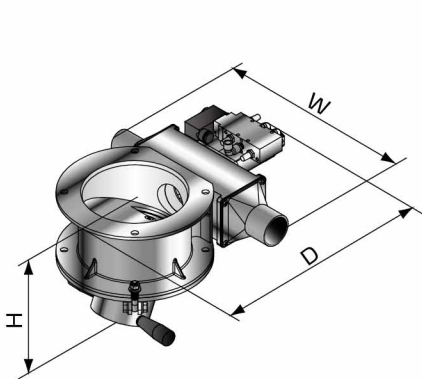
SBU-20



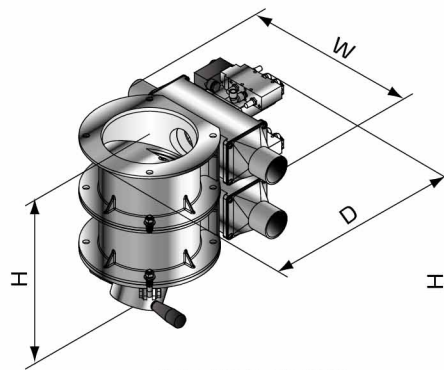
SBU-20/160-D

Model	H×W×D(mm)
SBU-20-38S	210×180×390
SBU-20-50S	210×180×390
SBU-160-38S	235×235×435
SBU-160-50S	235×235×450

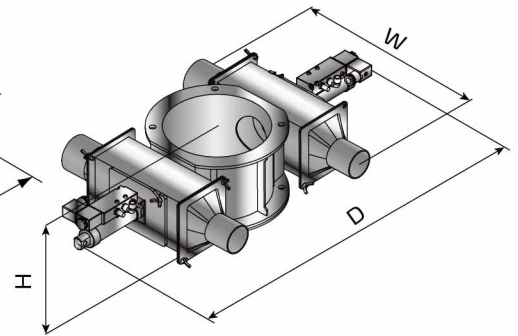
Model	H×W×D(mm)
SBU-20-38D	200×180×414
SBU-20-50D	200×180×414
SBU-160-38D	230×235×485
SBU-160-50D	230×235×480



SBU-20/160-S-V



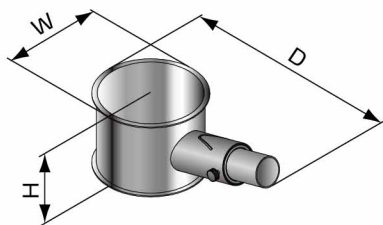
SBU-20/160-D-V



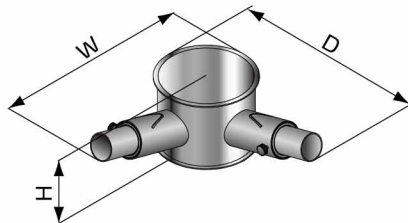
SBU-160-63D-V

Model	H×W×D(mm)
SBU-20-38S-V	200×330×370
SBU-20-50S-V	200×330×370
SBU-160-38S-V	230×330×440
SBU-160-50S-V	230×330×440

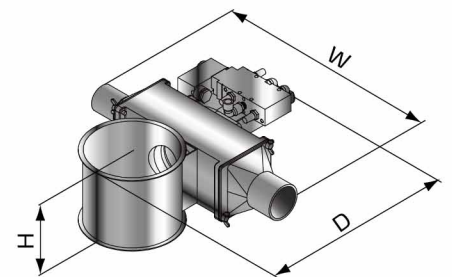
Model	H×W×D(mm)
SBU-20-38D-V	315×330×370
SBU-20-50D-V	315×330×370
SBU-160-38D-V	347×330×440
SBU-160-50D-V	347×330×440
SBU-160-63D-V	190×365×670



SBU-50/100-S



SBU-50/100-D



SBU-50/100-S-V

Model	H×W×D(mm)
SBU-50-38S	122×138×315
SBU-50-50S	122×138×315
SBU-100-38S	122×162×340
SBU-100-50S	122×162×340
SBU-100-63S	142×162×350

Model	H×W×D(mm)
SBU-50-38D	122×315×315
SBU-50-50D	122×315×315
SBU-100-38D	122×340×340
SBU-100-50D	122×340×340
SBU-100-63D	142×350×350

Model	H×W×D(mm)
SBU-50-38S-V	125×320×385
SBU-50-50S-V	125×320×385
SBU-100-38S-V	125×320×410
SBU-100-50S-V	125×320×410
SBU-100-63S-V	145×365×425
SBU-100-63D-V	145×365×660

Shini Group

Addr: No. 23, Minhe St., Shulin Dist.,
New Taipei, Taiwan

Tel: +886 2 2680 9119

Fax: +886 2 2680 9229

Email: shini@shini.com

Factories:

- Taiwan
- Dongguan
- Pinghu
- Ningbo
- Chongqing
- Pune

2021-02-15-04 Copyrights Reserved.

www.shini.com