

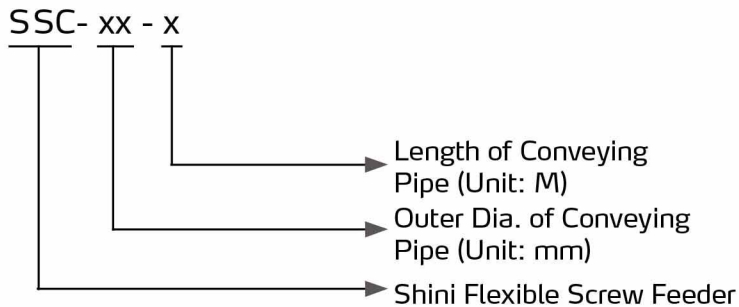
## Flexible Screw Feeder

SSC-50 & MST-5



Refer carefully to the manual before operation.

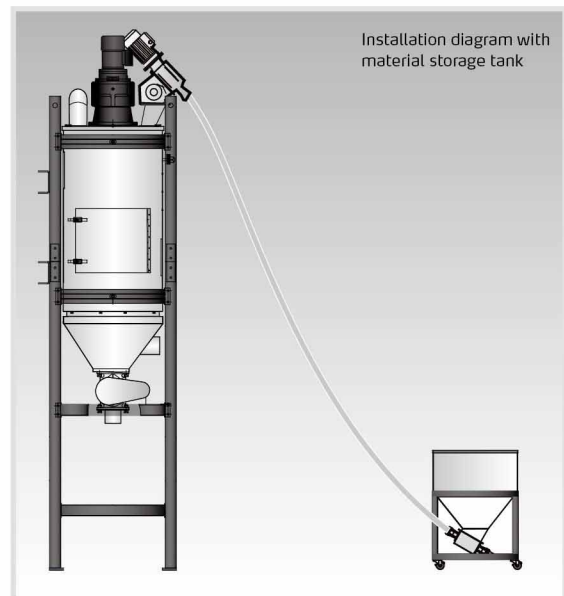
## ■ Coding Principle



Material Outlet

## ■ Features

- Effectively avoid material stratification during conveying process.
- Fully closed conveying line, free from contamination.
- Flexible conveying line brings maximum convenience of installation, best compatibility with other conveying equipments.
- Reverse phase protector is adopted to avoid that the motor is working in the reverse direction.
- Standard conveying pipeline is 5m/197.5 inch which can reach be lengthened to 7m/276 inch.

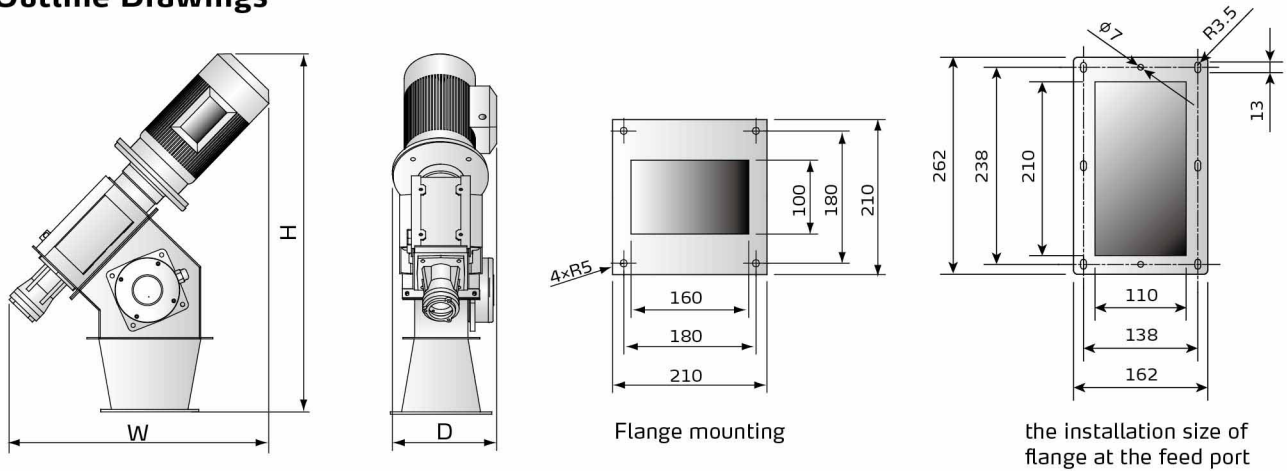


## ■ Application

SSC series flexible screw feeders adopt motor-driven screws for raw material conveying, applicable to convey regrinds, virgin materials, powders and their mixtures with features of easy installation and maintenance. It can work with other Shini's products, such as PET crystallizer, and blender (must be mounted on the customized flange). Two models of SSC-50/65 available with max. horizontal conveying capacity of up to 1,900 kg/hr (4,189 lb/hr).

# SSC Series

## Outline Drawings



## Specifications

Model	Outer Dia.		Motor Power (kW, 50/60Hz)	Motor Rotating Speed (RPM, 50/60Hz)	Radius		Bulk Density		Material	Conveying Capacity(50/60Hz )			
	mm	inch			mm	inch	kg/L	lb/gal		A=0°		A=45°	
SSC-50	Φ 50	Φ 2	0.75/0.85	940/1100	1,500	59	0.8	6.7	Pellet	800/	1,764/	700/	1,543/
							900	1,984		840	1,852		
							0.7	5.8		Powder	450/	992/	350/
									Flake	540/	1,190	420/	926
										300/	661/	250/	551/
										360/	794	300/	661
SSC-65	Φ 65	Φ 2.5	1.1/1.26	945/1100	1,500	59	0.8	6.7	Pellet	1,900/	4,189/	1,400/	3,086/
							2,280	5,026		1,680	3,074		
							0.7	5.8		Powder	1,000/	2,205/	800/
									Flake	1,200/	2,646	960/	2,116
										600/	1,323/	500/	1,102/
										720	1,587	600/	1,323

- Notes: 1) Bending radius of conveying pipeline should be more than 1.5m/59inch and its bending angle should be more than 120° to prevent overload, material blockage or spring fracture.
- 2) To be conveyed granule dia. : For SSC-50, it should be less than 4mm/0.16inch and for SSC-65, it should be less than 6mm/0.24inch or material could easily get stuck. Also we suggest not use it to convey flakes with more than 15mm in/0.59inch length.
- 3) Power supply: 3Φ, 230/400/460/575V, 50/60Hz.