

Crystallizing System

SICR-2500U-ML

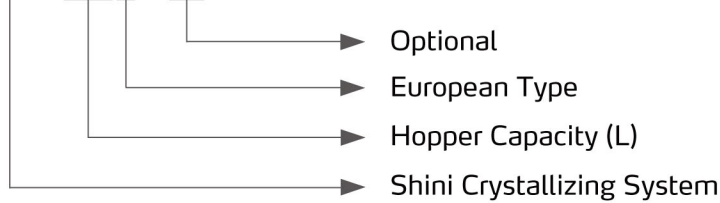


Refer carefully to this manual before operation.

SICR Series

■ Coding Principle

SICR-xxxU - xx

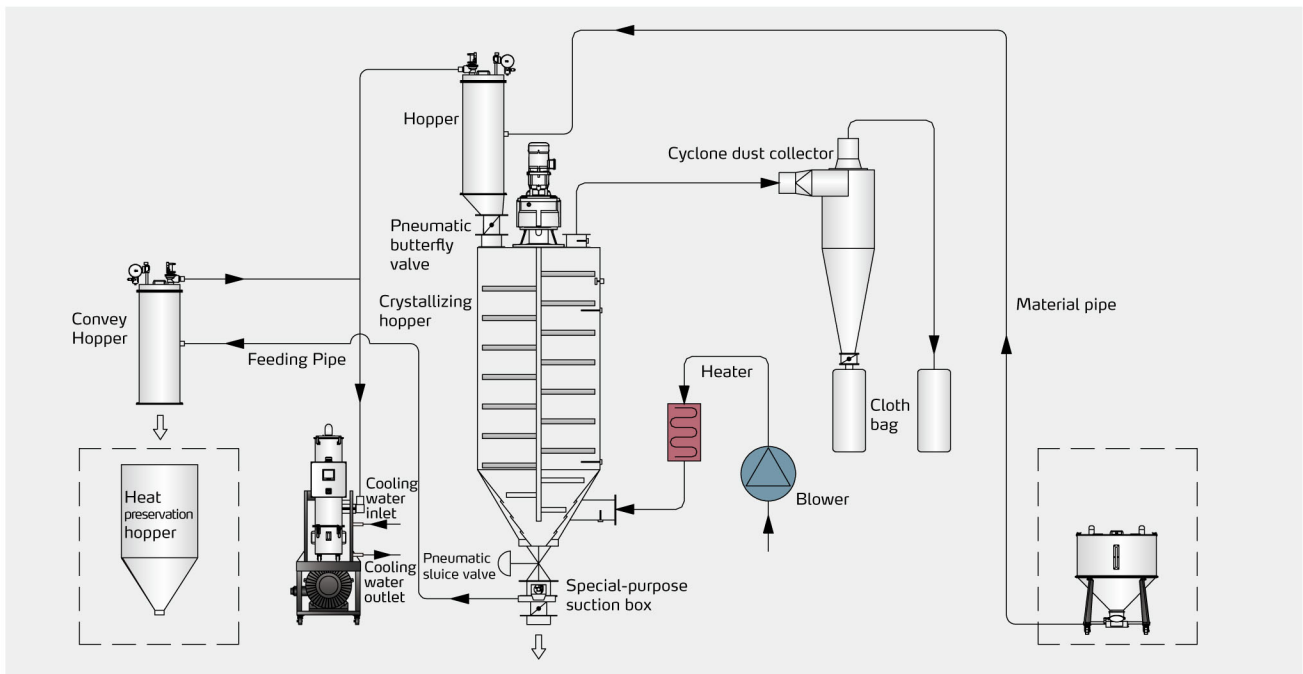


Inner Structure

■ Features

- Fix speed agitator controls materials through the crystallizing process to avoid the material from lumping together;
- Multi-step crystallizing temperature control ensures a simple and precise kick start of crystallization of non-crystalline material;
- The vacuum generator can work with the hopper and suction box to achieve auto loading and feeding;
- Siemens PLC controller with high reliability;
- 7" color screen for more intuitive control;
- SSR solid-state relay ensures precise temperature control;
- The cyclone dust collector can effectively collect the dust and reduce contamination of production space;
- With double overheat protection, it can reduce the possibility of either mechanical or manufactured problems;
- The material level switch can detect the material level accurately and make operation reliable;
- Safety switch ensures high machine safety during cleaning and maintenance.

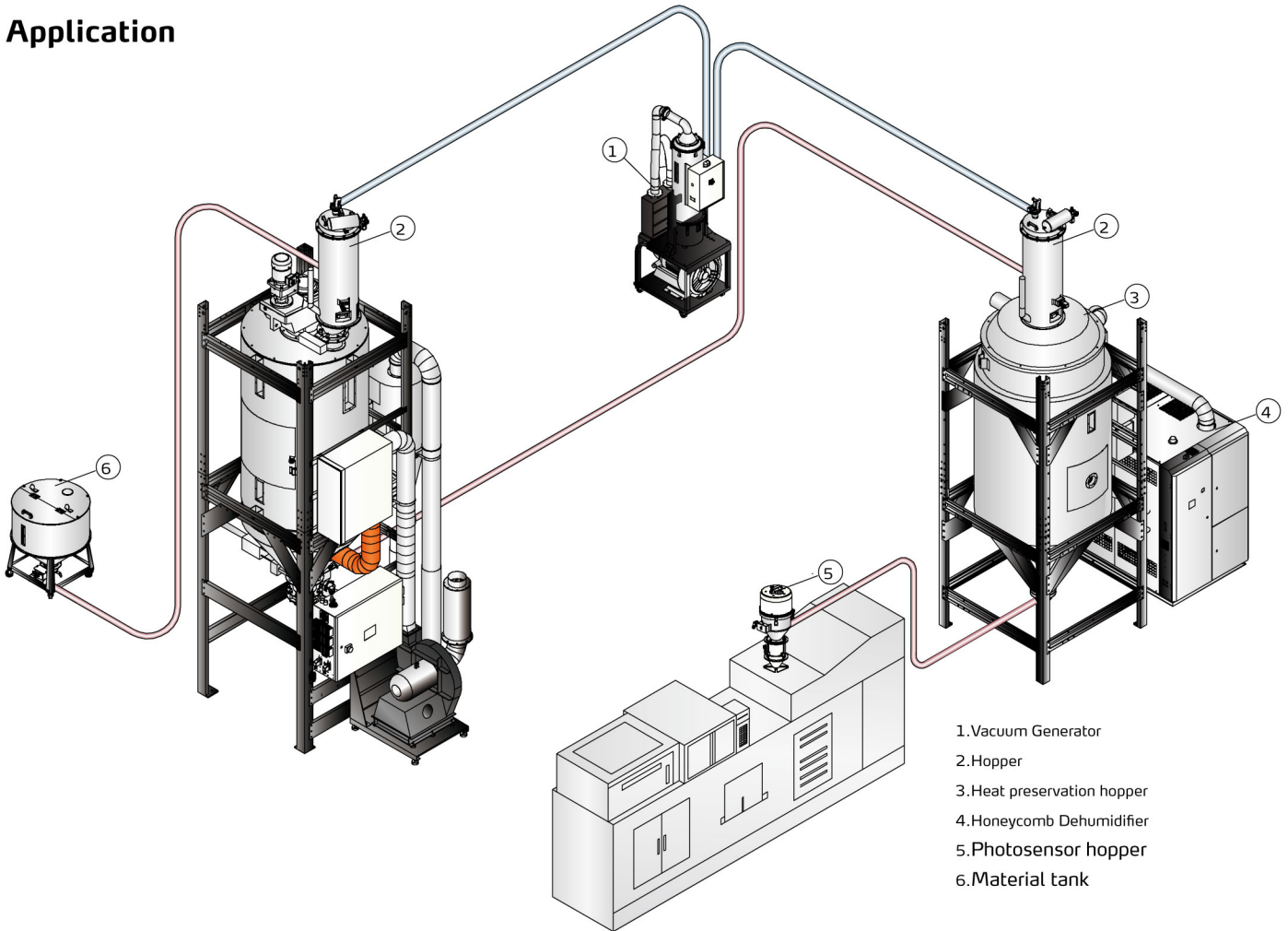
■ Working Principle



Options

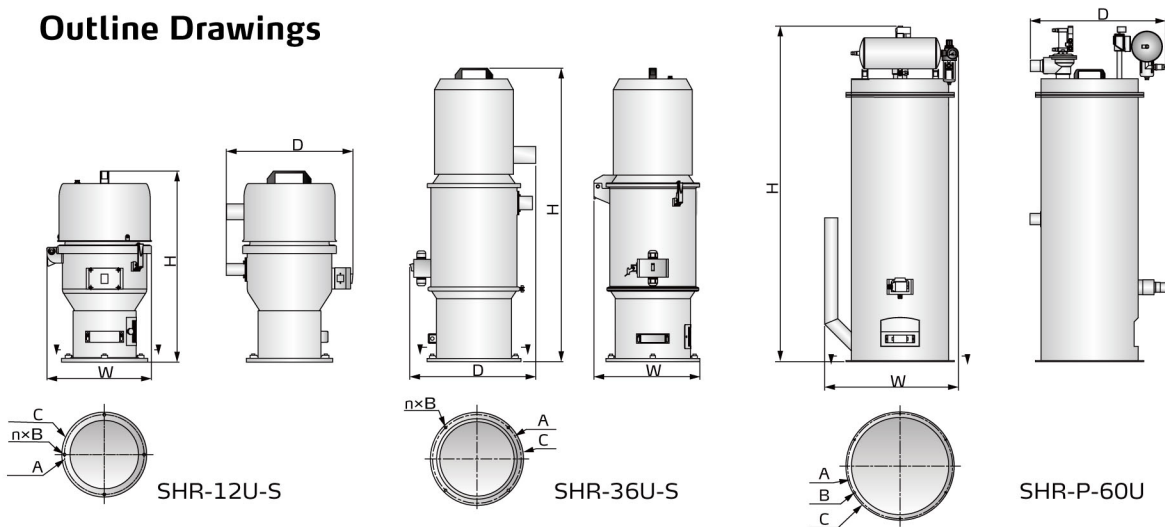
- Safety ladder is optionally for SICR-900U and above models, and add "ML" at the end of the model code
- For models optional with stainless steel inlet and outlet pipes, add "SP" at the end of the model code

Application



1. Vacuum Generator
2. Hopper
3. Heat preservation hopper
4. Honeycomb Dehumidifier
5. Photosensor hopper
6. Material tank

Outline Drawings



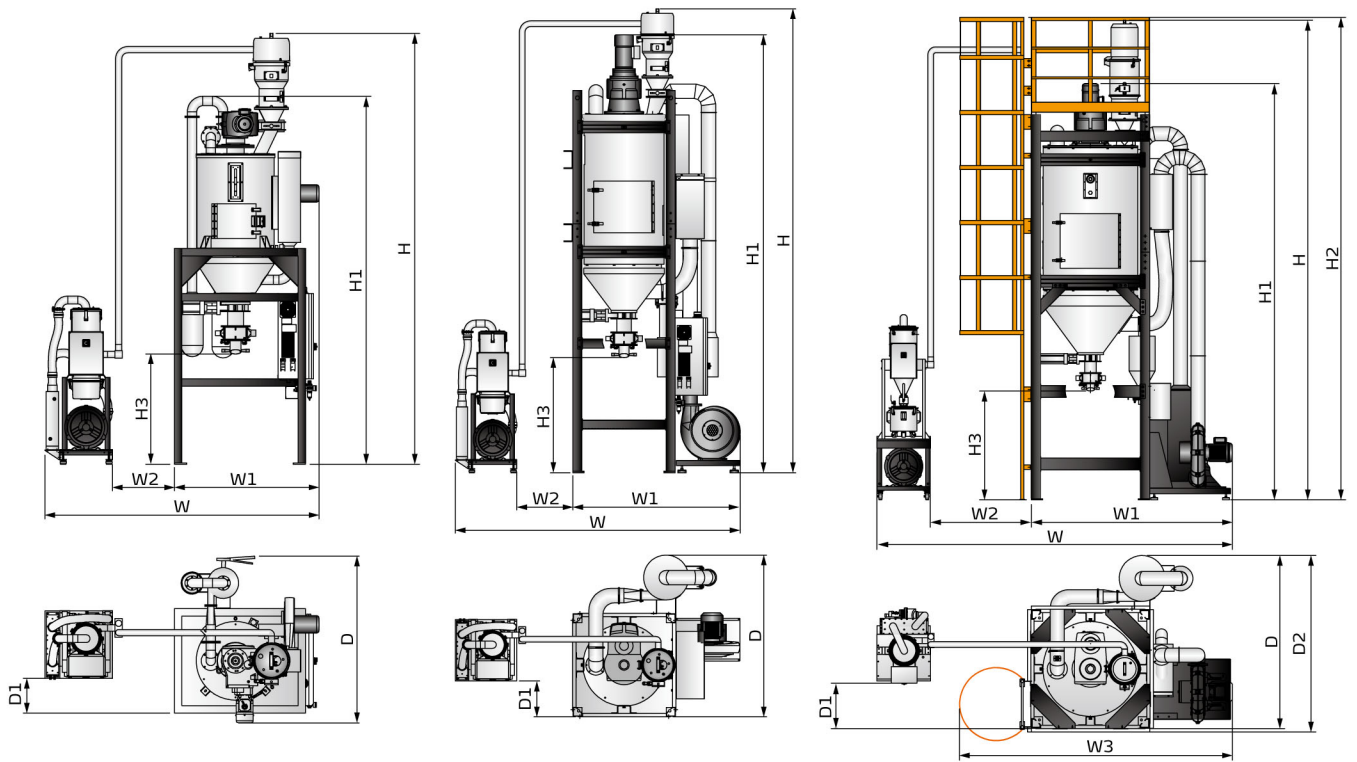
SHR-12U-S

SHR-36U-S

SHR-P-60U

SICR Series

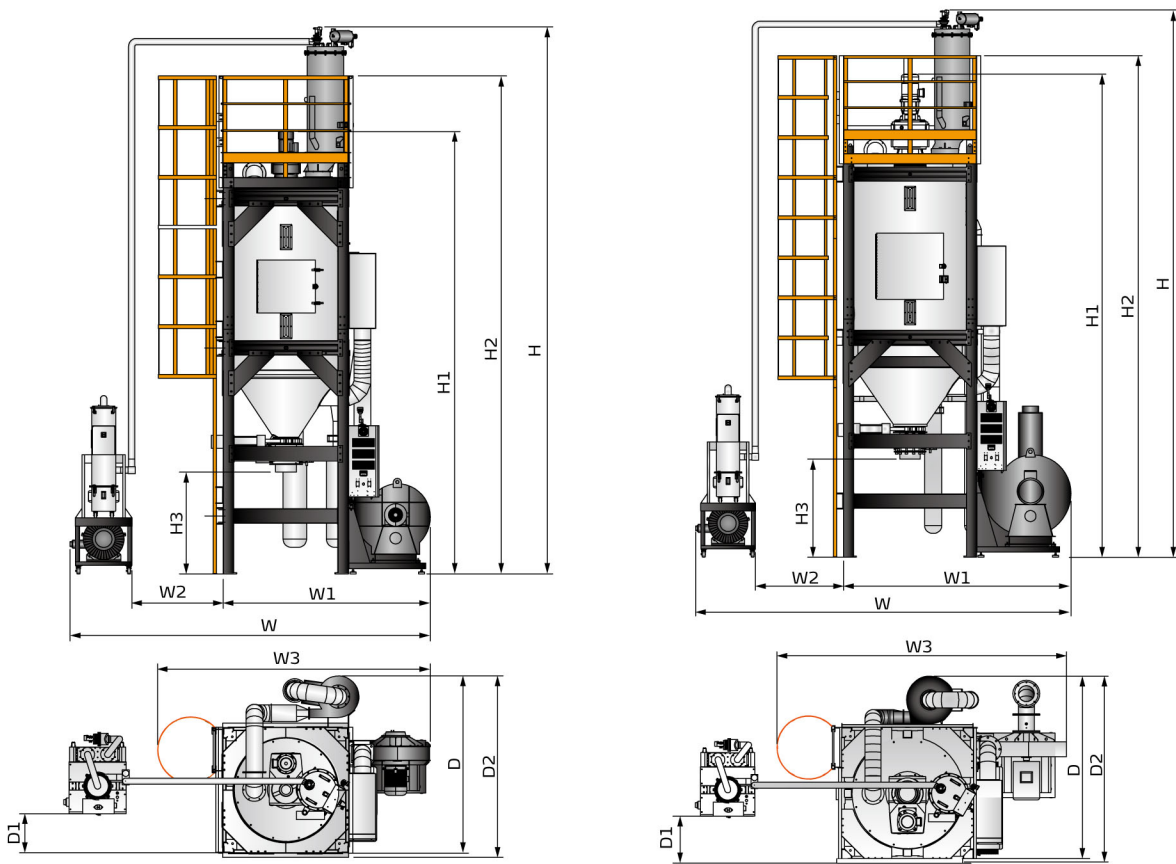
Outline Drawings



SICR-160U

SICR-450U

SICR-900U(Maintenance ladder is optional)



SICR-1600U(Maintenance ladder is optional)

SICR-2500U(Maintenance ladder is optional)



■ Specifications

Model	SICR-160U	SICR-450U	SICR-900U	SICR-1600U	SICR-2500U
Heater Power(kW)	12	24	48	96	128
Blower Power (kW)	0.55	2.2	3.7	7.5	15
Blending Motor Power (kW)	0.25	0.55	1.5	2.2	4
Max. Throughput (kg/hr)	50	150	300	500	750
Hopper Capacity (L)	160	450	900	1600	2500
H (mm)	3482	4162	5229	6596	6830
H1 (mm)	2972	3896	4538	5334	6028
H2 (mm)	-	-	5260	6005	6260
H3 (mm)	890	1025	1186	1228	1224
W (mm)	2215	2534	3876	4343	4685
W1 (mm)	1169	1488	2193	2498	2840
W2 (mm)	500	500	1100	1100	1100
W3 (mm)	-	-	2975	3288	3658
D(mm)	1348	1439	1887	2137	2315
D1(mm)	280	320	496	469	541
D2(mm)	-	-	1923	2186	2361
Weight (kg)	330	595	1010	2530	3030
Vacuum Generator	SVG-5HP-C	SVG-5HP-C	SVG-10HP-C	SVG-20HP-D-C	SVG-20HP-D-C
Cooling Water Flow(L/min)	25	25	40	60	60
Cooler Inlet and Outlet Dia.(mm)	φ16	φ16	φ16	φ16	φ16
Hopper Receiver	SHR-12U-S	SHR-12U-S	SHR-36U-S	SHR-P-60U	SHR-P-60U
Hopper Receiver	Model	SHR-12U-S	SHR-12U-S	SHR-36U-S	SHR-P-60U
	Dimensions (mm) (H × W × D)	610×334×405	610×334×405	1094×395×469	1519×605×613
	Flange Mounting Hole(mm)A/n×B	φ254.6/4×φ9	φ254.6/4×φ9	φ330/4×φ9	φ475/6×φ7
	Flange Outer Diameter(mm)C	φ271	φ271	φ347	φ347
Vacuum Pipe Diameter(inch)	2	2	2.5	3	3
Material Conveying Pipe Diameter(inch)	1.5	1.5	2	2.5	2.5
Applicable Material	Granules	Granules	Granules	Granules/Regrand	Granules/Regrand

Notes:

- 1) Above maximum processing, capacity is obtained based on non-crystalline PET material (amorphous PET) of 0.85 kg/L in bulk density and 3~5mm in diameter under the temperature of 160°C;
- 2) The above parameters apply to models using recycled amorphous PET materials, and the length of recycled PET perform shall not exceed 10mm;
- 3) Cooling water pressure: 0.3~0.5MPa, cooling water temperature: ≤30°C;
- 4) Power: 3φ, 400VAC, 50Hz

Shini Group

Addr: No. 23, Minhe St., Shulin Dist.,
New Taipei, Taiwan

Tel: +886 2 2680 9119

Fax: +886 2 2680 9229

Email: shini@shini.com

Factories:

- Taiwan
- Dongguan
- Pinghu
- Ningbo
- Chongqing
- Pune

2022-06-15-04 Copyrights Reserved.

www.shini.com