



"Budget" Series SG-24EB

SG-2436EB

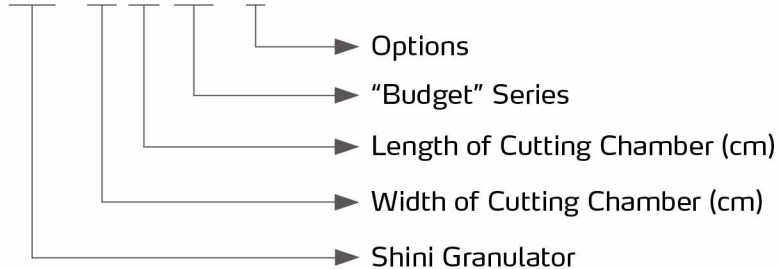


Refer carefully to this manual before operation.

SG-EB Series

■ Coding Principle

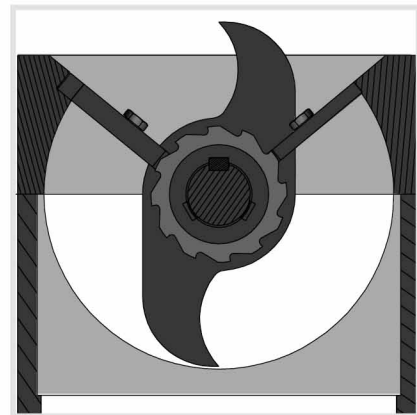
SG - xx xx EB - x



Cutting Chamber

■ Features

- Excellent gear motor features reliable performance, long service life and high torque.
- Integral design of teeth cutters and staggered blades makes coarse crushing and fine crushing simultaneously to mix with new materials and obtain uniform particles.
- Even granule with little dust.
- Compact in size that saves space and easy for cleaning and maintenance.
- Feeding hopper adopts visible window, welded steel plate structure.
- Easy motor installation for convenient maintenance.



Section View of Trapezoid Teeth Cutter

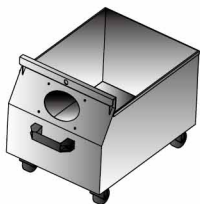
■ Application

SG-24EB series "standard" screenless granulators are suitable for instant recycling or granulating of hard and thick materials. With European-type appearance and compact size, they feature low rotating speed, low abrasion and super soundproof. Unique cutting blades design ensures well-proportioned granules and minimal amount of dusts. Easy for material cleaning and safe to operate. The unique transmission design cuts the cost greatly.

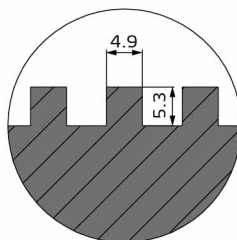
■ Options

Manual Collection Bins

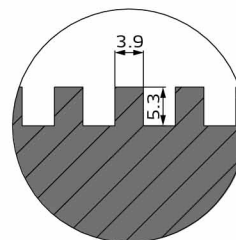
Manual collection bin helps to collect and store regrind.



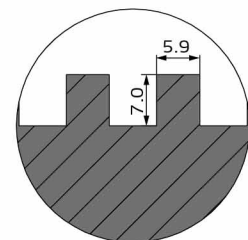
Teeth Cutters



Narrow



Standard



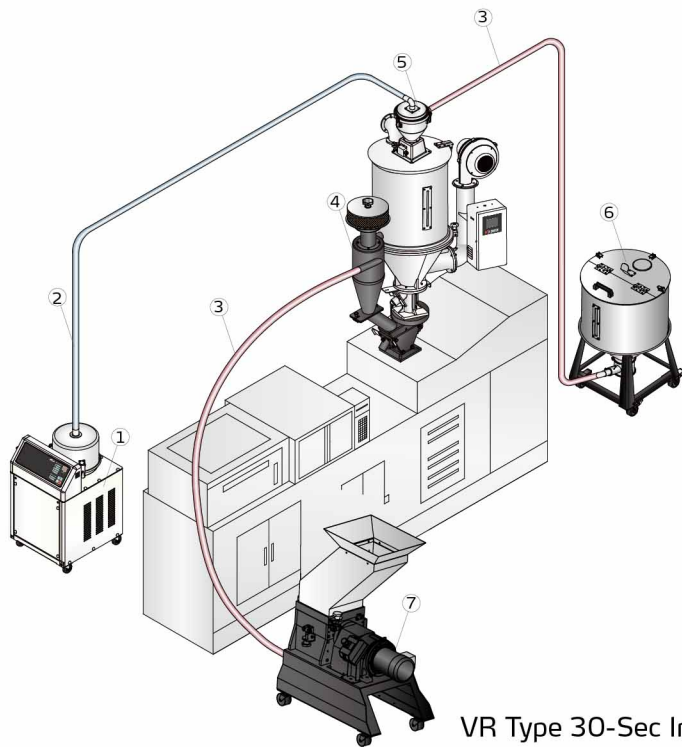
Dilated

- Optional blower conveyor + cyclone dust collector (BC type)
- 4mm cutters or 6mm cutters are available besides the standard 5mm cutters.

30-Sec Instant Recycling System (Patented Product)

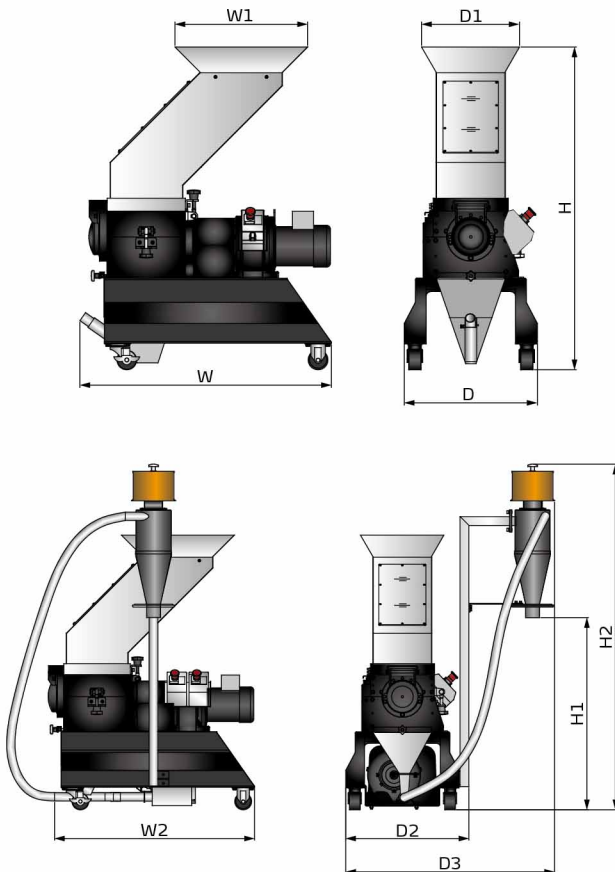
30-second instant recycling system utilizes high pressure air to easily convey the regrind material in the storage box to new and regrind material proportion governor to get mixed and reused, so to prevent physical property and color change caused by oxidation or dampening, as well improve the product quality.

1. Hopper loader
2. Vacuum pipe
3. Material pipe
4. 30-Sec instant recycling system
5. Vacuum hopper
6. Material tank
7. SG-24EB



VR Type 30-Sec Instant Recycling

Outline Drawings



(cyclone separator is optional)

Specifications

Model	SG-2417EB	SG-2427EB	SG-2436EB	
Motor Power (kW, 50/60Hz)	0.75/0.86	0.75/0.86	1.5/1.75	
Rotating Speed (rpm, 50/60Hz)	27/32.5	2732.5	2732.5	
Capacity of optional storage tank (L)	30	40	48	
Material of Teeth Cutters	SKD11	SKD11	SKD11	
Number of Staggered Blades	1	2	3	
Number of Teeth Cutters	2	3	4	
Cutting Chamber (mm)	240 x 175	240 x 270	240 x 365	
Max. Throughput Capacity (kg/hr)	3.5	6	8.5	
Noise Level dB(A)	80-85	80-85	80-85	
Motor Power (KW)	0.4	0.4	0.4	
Dimensions	H (mm)	1250	1250	1250
	H1(mm)	875	875	875
	H2(mm)	1075	1075	1075
	W (mm)	879	975	1115
	W1 (mm)	416	512	578
	W2(mm)	815	911	1051
	D (mm)	516	516	516
	D1(mm)	378	378	378
	D2(mm)	561	561	561
	D3(mm)	954	954	954
Weight (kg)	160	200	240	

- Note:
- 1) Max. Capacity of the machine is subject to the size and composition of the material.
 - 2) Noise level varies according to different granules.
 - 3) To avoid plastic from sticking to the blades, all materials should be crushed at normal temperature.
 - 4) Power supply: 3Φ, 230/400/460/575VAC, 50/60Hz.

Shini Group

Addr: No. 23, Minhe St., Shulin Dist.,
New Taipei, Taiwan

Tel: +886 2 2680 9119

Fax: +886 2 2680 9229

Email: shini@shini.com

Factories:

- Taiwan
- Dongguan
- Pinghu
- Ningbo
- Chongqing
- Pune

2021-10-15-04 Copyrights Reserved.

www.shini.com