

SLD



Volumetric Liquid Doser

■ Features

- Utilizing the stepping motor technology, no gearbox is required and can pump within 0.05 gr accuracy.
- Peristaltic pump head with three stainless steel rollers, which provides high levels of strength and durability as well accuracy and precision.
- The hose replacement mechanism employs quick separation structure, allows for very quick and easy tubing replacement.
- USB port is equipped to upgrade software.
- Both injection molding and extrusion molding modes are applicable.
- Easy operation, with masterbatch proportion and each mold weight input, the system can automatically calculate the the melting time to realize auto-feeding of masterbatch material.



Injection Nozzle Kit



Peristaltic Pump



Back Display



Controller

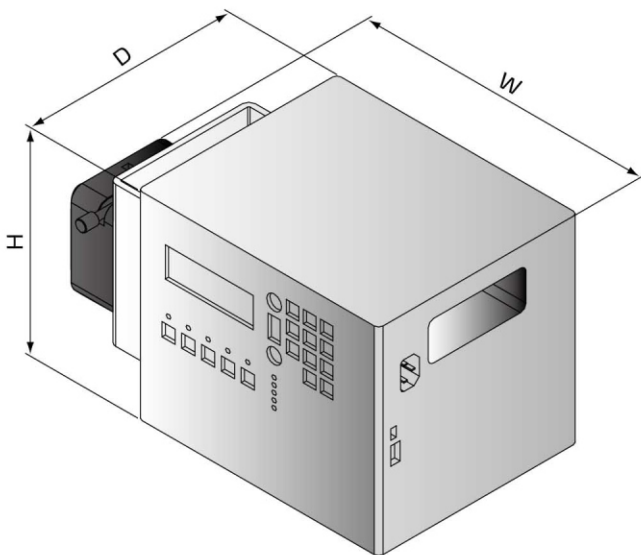
■ Application

SLD liquid doser is suitable to the measuring and feeding of liquid masterbatch.

■ Working Principle

Upon receiving the signal from injection machine or extruder, the unit will actuate the peristaltic pump with stepper based on the parameters input. Liquid masterbatch dispensing is realized by the the pressing and releasing action which pump does to the conveying hose.

■ Outline Drawing



■ Specifications

Model	SLD
Motor Speed (rpm)	0.7~200
Conveying Capacity (kg/hr)	0.01~2
Dimension	
W (mm)	190
L (mm)	220
H (mm)	190
Calibration	Manual
Weight (kg)	6

Notes: 1). Power supply: 1Φ, 230VAC, 50Hz.

Shini Group

Addr.: No. 23, Minhe St., Shulin Dist., New Taipei, Taiwan

Tel: +886 2 2680 9119

Fax: +886 2 2680 9229

Email: shini@shini.com