



"Budget" Series SG-24EB

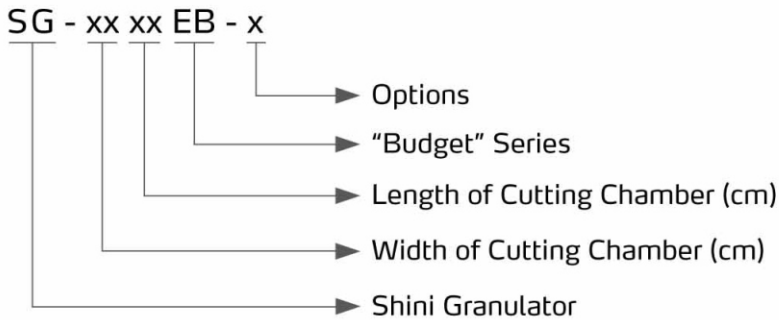
SG-2417EB



Refer carefully to this manual before operation.

SG-EB Series

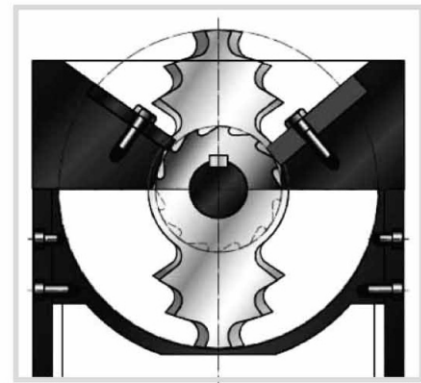
■ Coding Principle



Cutting Chamber

■ Features

- Excellent gear motor features reliable performance, long service life and high torque.
- Integral design of teeth cutters and staggered blades makes coarse crushing and fine crushing simultaneously to mix with new materials.
- Even granule with little dust.
- Unique screw gearing transmission design makes it running stably with low noise level.
- European type appearance, compact in size and easy for cleanig and maintenance.
- Feeding hopper adopts visible window in welding way to make solid structure.
- Easy motor installation and maintenance.



Section View of Trapezoid Teeth Cutter

■ Application

SG-24EB series "standard" screenless granulators are suitable for instant recycling or granulating of hard and thick materials. With European-type appearance and compact size, they feature low rotating speed, low abrasion and super soundproof. Unique cutting blades design ensures well-proportioned granules and minimal amount of dusts. Easy for material cleaning and safe to operate. The unique transmission design cuts the cost greatly.

■ Options

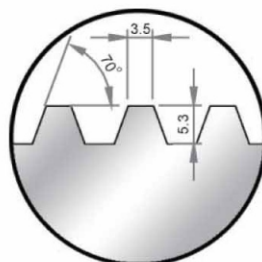
Manual Collection Bins

Manual collection bin helps to collect and store regrind.

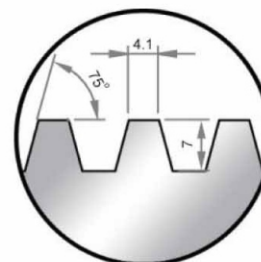


- The well-known brand of gear motor is optional

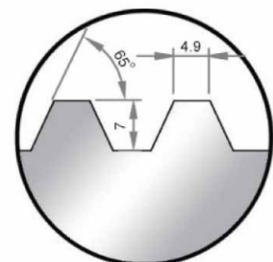
Teeth Cutters



Narrow

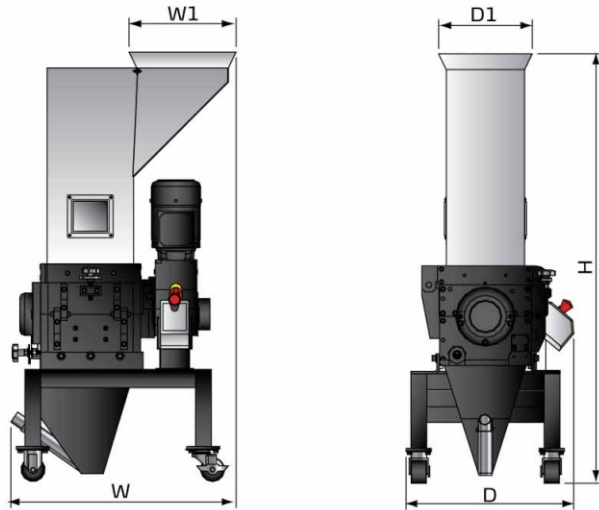


Standard



Dilated

■ Outline Drawings



■ Specifications

Model	SG-2417EB	SG-2427EB	SG-2436EB	
Motor Power (kW, 50/60Hz)	0.75/0.86	0.75/0.86	1.5/1.75	
Rotating Speed (rpm, 50/60Hz)	27/32.5	2732.5	2732.5	
Capacity of optional storage tank (L)	30	40	48	
Material of Teeth Cutters	SKD11	SKD11	SKD11	
Number of Staggered Blades	1	2	3	
Number of Teeth Cutters	2	3	4	
Cutting Chamber (mm)	240 x 175	240 x 270	240 x 365	
Max. Throughput Capacity (kg/hr)	3.5	6	8.5	
Noise Level dB(A)	80-85	80-85	80-85	
Dimensions	H (mm)	1360	1360	1400
	W (mm)	566	713	899
	W1 (mm)	268	338	428
	D (mm)	530	530	530
	D1 (mm)	297	297	297
	Weight (kg)	180	220	260

- Note: 1) The skew teeth cutter is standard equipped; and the narrow and widened skew teeth cutter are optional.
- 2) Max. Capacity of the machine is subject to the size and composition of the material.
- 3) Noise level varies according to different granules.
- 4) To avoid plastic from sticking to the blades, all materials should be crushed at normal temperature.
- 5) Power supply: 3Φ, 230 / 400 / 460 / 575VAC, 50 / 60Hz.

We reserve the right to change specifications without prior notice.

Shini Group

Addr: No. 23, Minhe St., Shulin Dist.,
New Taipei, Taiwan

Tel: +886 2 2680 9119

Fax: +886 2 2680 9229

Email: shini@shini.com

Factories:

- Taiwan
- Dongguan
- Pinghu
- Ningbo
- Chongqing
- Pune

2017-12-15-04 Copyrights Reserved.

www.shini.com