



"Standard" Self-contained Hopper Loader SAL

SAL-360

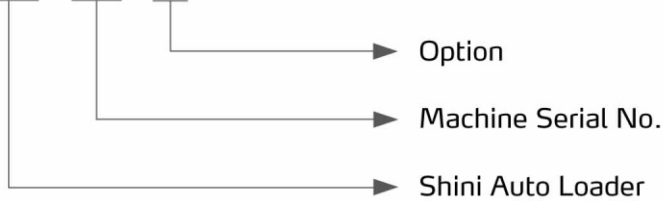


Refer carefully to this manual before operation.

SAL Series

■ Coding Principle

SAL - xxx - xx



■ Features

- Stainless steel hopper, motor overload protective device.
- All the machines are equipped with hinged hopper lid except SAL-430 and SAL-460.
- All the machines are equipped with auto reverse cleaning kit and cloth mesh filter except SAL-430 and SAL-460.
- SAL-430/460 has standard cloth mesh filter and motor reverse cleaning function.



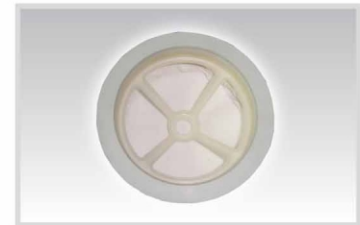
SAL-460



Control Panel

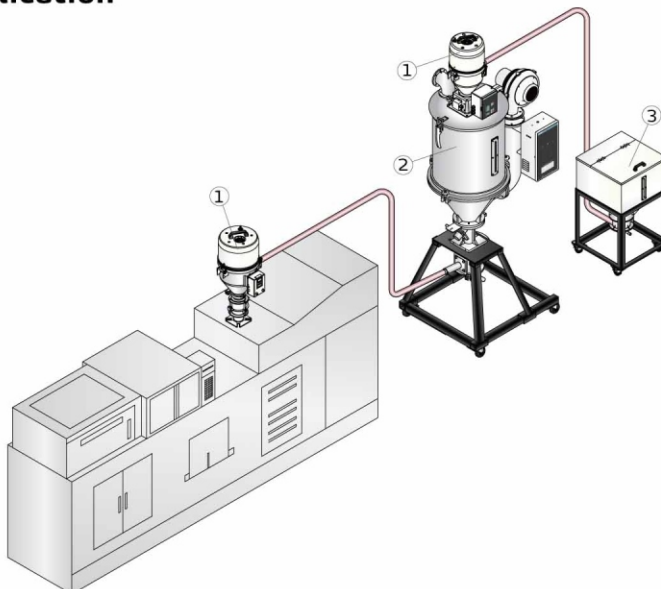


Reverse Cleaning Kit
(SAL-330/360)



Cloth Filter

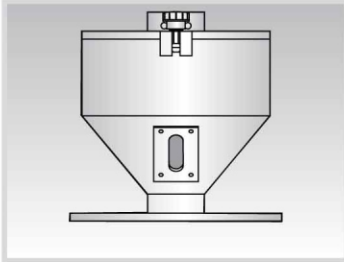
■ Application



1. Auto loader
2. "Standard" hopper dryer
3. Material tank

Options

SCH-6L



For temporary storage of material, SCH-6L storage hopper is available for SAL-330/360.

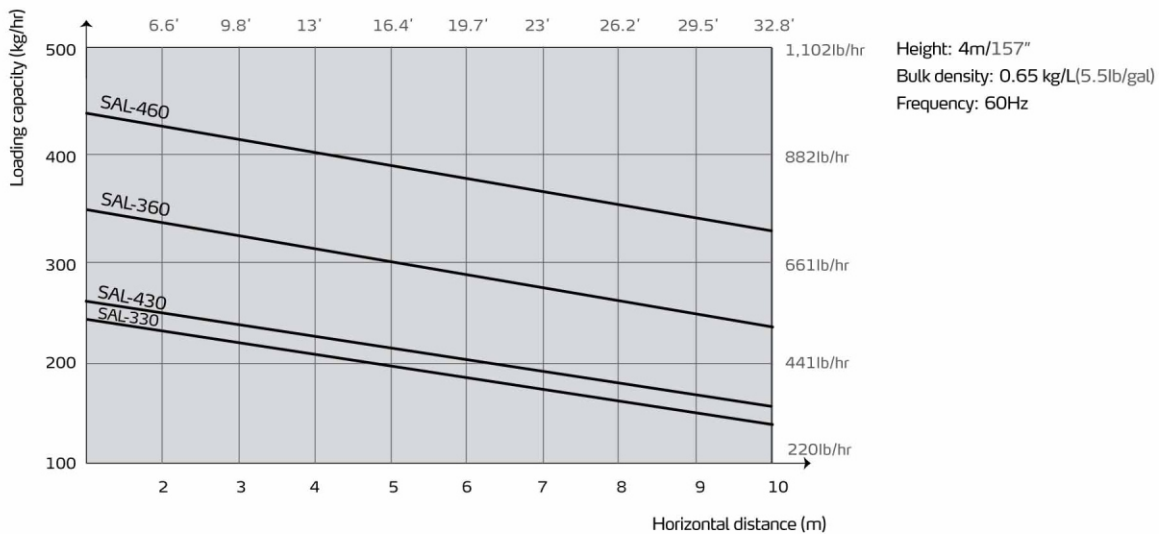
SPV-U



SPV-U is an option for all models (Including control cabinet).

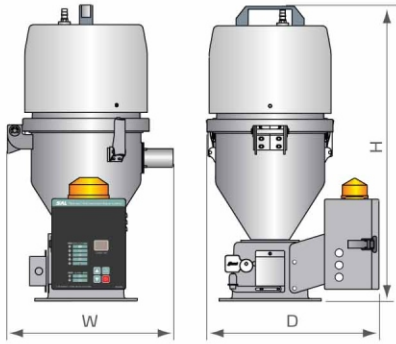
- Buzzer is optional .Add "B" at the end of model code.
- Manual control switch is optional to deal with conditions that power supply is hard to manage when machine is installed at higher places. Add "RS" at the end of model code.
- Quick mixing valve can be opted to work with proportional valve to enhance mixing effect. Add "QM" at the end of model code.
- For polished hopper inside ones, add "P" at the end of the model code.

Loading Capacity

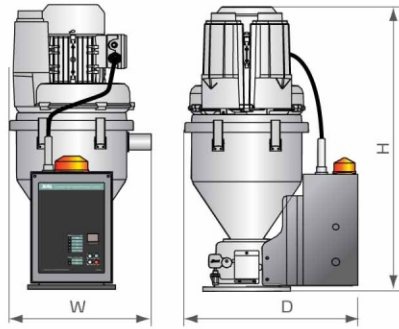


SAL Series

Outline Drawings



SAL-330/360



SAL-430/460

Specifications

Model		SAL-330	SAL-360	SAL-430	SAL-460	
Blower Type		Carbon brush	Carbon brush	Inductive	Inductive	
Motor Power (kW, 50/60Hz)		1.15/1.32	1.15/1.32	0.37/0.42	0.75/0.85	
Conveying Pipe Dia. (inch)		1.5	1.5	1.5	1.5	
Conveying Capacity (60Hz)	kg/hr	200	300	200	300	
	lb/hr	441	661	441	661	
Hopper Capacity	L	3	6	3	6	
	gal	0.8	1.6	0.8	1.6	
Input Voltage		1 Φ , 115/230VAC, 50/60Hz		3 Φ , 230/400/460/575VAC, 50/60Hz		
Material Level Control		Microswitch	Microswitch	Microswitch		
Auto-Cleaning Function		Standard				
Cloth Filter		Standard				
Dimensions	H	mm	610	670	660	735
		inch	24	26.4	26	28.9
	W	mm	345	385	310	350
		inch	13.6	15.2	12.2	13.8
	D	mm	355	380	395	420
		inch	14	15	15.6	16.5
Weight	kg	13	14	23	26	
	lb	28.7	30.9	50.7	57.3	

Notes: 1) Test condition of conveying capacity: Plastic material of bulk density 0.65kg/L(5.5lb/gal), dia. 3~5mm/0.12~0.2 inch, vertical conveying height: 4m/13.1Feet, horizontal conveying distance: 1m/3.28Feet.

We reserve the right to change specifications without prior notice.