



Sound-proof Central Granulator

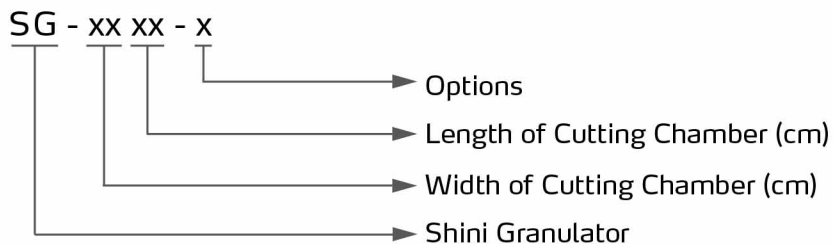
SG-3650



Refer carefully to this manual before operation.

SG-23/30/36

■ Coding Principle



SG-3060

■ Features

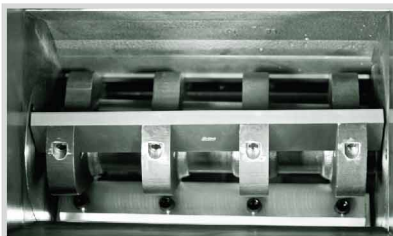
● Fine finishing cutting chamber and cutting tools that need adjustment

SG-23 series adopts staggered blades, it can decentralize working load when granulating to increase cutting efficiency, Blade retainer is designed for quick blade replacement without readjustment.

SG-30 and SG-36 series adopts paddle blades. It allows increased efficiency and reduced energy consumption.



Staggered Blade (SG-23)



Paddle Blade (SG-30&SG-36)

● Automatic conveying device

The machine is equipped with automatic conveying device of regrind materials, which is able to increase the conveying efficiency; materials are conveyed by blowers, which promote airflow and achieve air cooling of the cutting chamber to some extent. Thus, the room temperature of the cutting chamber can be reduced.



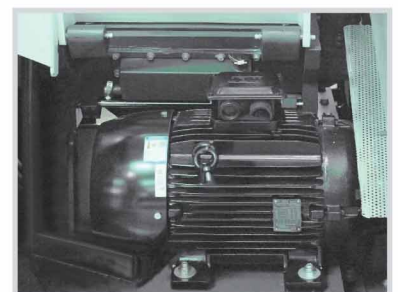
● Sound-proofing machine

The machine adopts enclosed soundproof box, and in the parts that may make noises, there are sound-absorbing cotton, which can efficiently reduce the noises made in the cutting process.



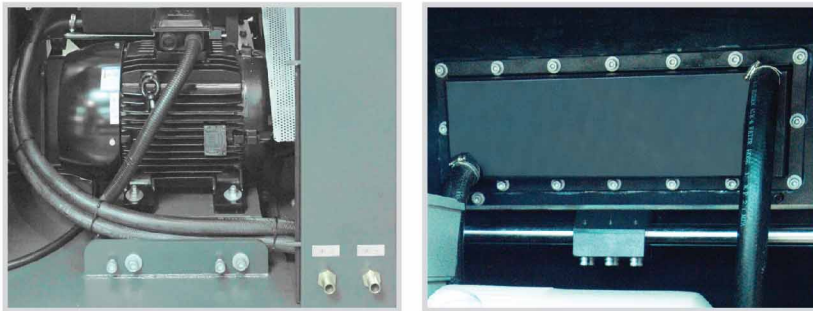
● High-efficiency cutting motor

The machine adopts IE3 high-efficiency motor, which has stable performance as well as safe operation and helps energy consumption.



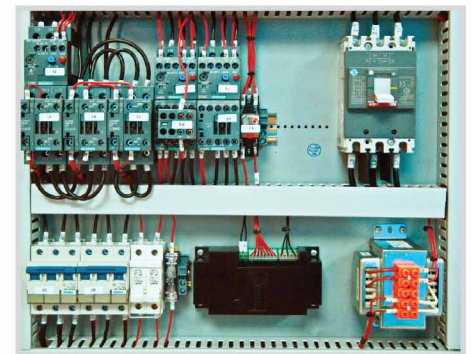
● **Cooling device of cutting chamber**

The cooling water device (equipped SG--30/36) at the back plate of cutting chamber can effectively reduce the temperature of cutting chamber to avoid material blocking.



● **Multiple safety protection of control**

Control circuit meets CE standard, and it has multiple protections including protection of motor overload, short circuit, phase default and phase order detection, ensuring safe operation of the machine.



● **Presetting Knife Jig**

The presetting knife jig, which enables to reshape of the blades and installation without too much cost and time.

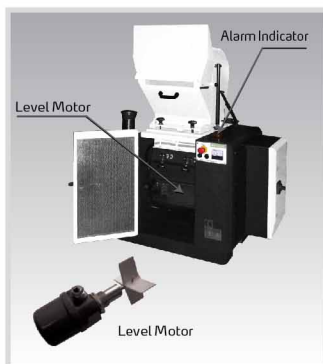


■ **Application**

SG-23/30/36 series sound-proof central granulators are suitable for centralized recycling of wastes or rejected parts from injection molding, blow molding or extrusion lines. The machines feature optimized structure, easy operation, and quick blades replacement. Staggered rotating blades can easily grab and cut materials. This design makes the machine work more efficiently and can reduce waste of energy to the minimum.

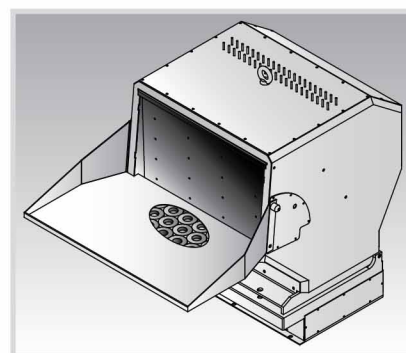
■ **Options**

Full-receiver Alarm Device



Full-receive alarm device helps to realize unmanned operation and no materials will be wasted. Whenever the regrind level reaches the motor position, the machine will be forced to stop and be cut off via it is sensor, thus stop the granulator and warn the user by sounding an alarm. Applicable to SG-23/30/36/43/50/70. Add "FAD" at the end of the model code.

Feed Hopper with Magnet



Feed hopper with magnet is used to take out metal craps and impurities in the material. Add "FHM" at the end of the model code.

SG-23/30/36

Special Screens



Special screen mesh sizes: $\Phi 4$, $\Phi 6$, $\Phi 10$, $\Phi 12$ (mm) for SG-23/30 series, $\Phi 8$, $\Phi 12$, $\Phi 14$, $\Phi 17$, $\Phi 25$ (mm) for SG-36 series.

Add "SS + screen diameter" at the end of the model code, e.g.: $\Phi 6$ mm, add "SS06".



Feeding Hopper for Conveyor

Material feeding for large granulators is quite a difficult matter. They are generally installed at a lower place or a platform must be built for material feeding. Shini particularly designed the belt conveyor to easily convey the material into the cutting chamber of SG-36 series.

Add "BCF" at the end of the model code.



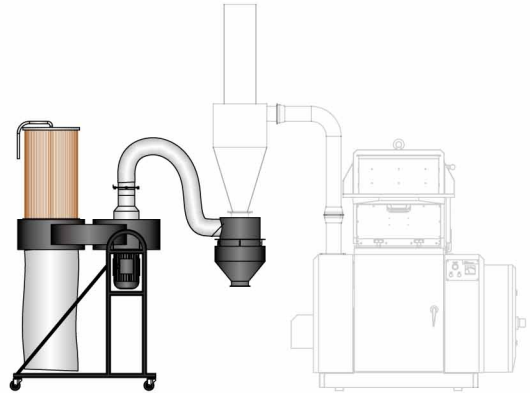
Material Side Feed Pipe

The design of feeding hopper of traditional granulators is not suitable for long pipes and section bars. We have designed material side feed pipe for convenient feeding of long materials. It's optional for SG-36.

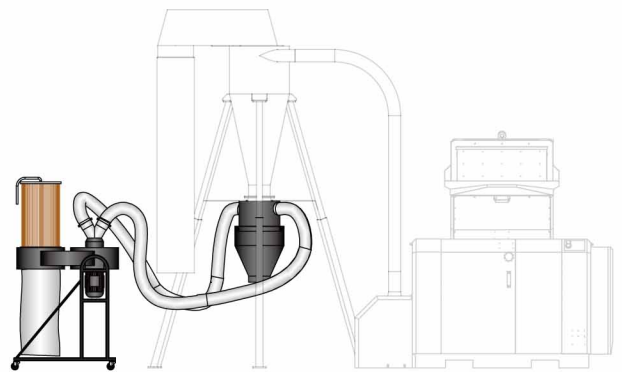
Add "SF" at the end of the model code.

Dust Separator

Work with cyclone dust separator to recycle the granule and separate it from dust.



DS-23/30

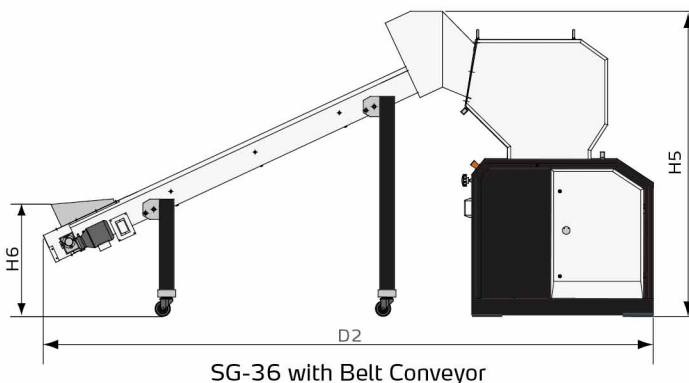
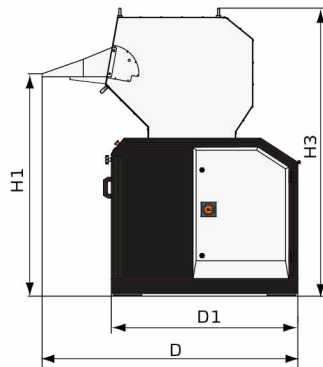
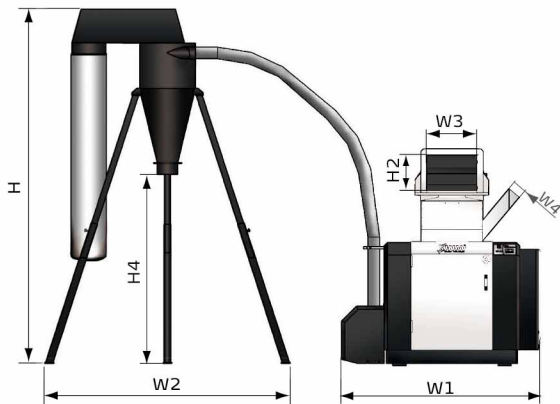
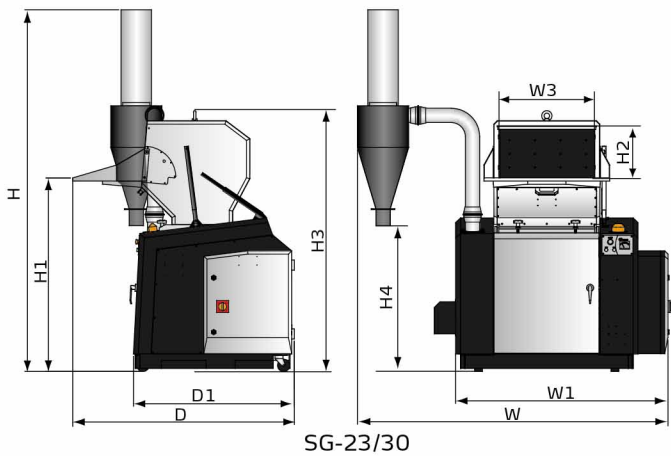


DS-36

Dust Separator can separate the dust in the regrind for immediate recycle use. The dust will be kept in filter bag, thus working environment will remain clean. This device ensures full use of regrind to avoid material wasting and enhance the economy returns.

- The function of fiber reinforced material granulating is optional. Adopt surface-hardening treatment on the material contacting component. And blade material is V-4E joint with S50C. Add "F" at the end of the model code;
- Power increased blower enables material conveying in longer distance, at "EC" at the end of the model code.
- For stainless steel made feed hopper cover plate and storage tank, Add "R" at end of the model code.

Outline Drawings



SG-36 Specifications

Model	SG-3650	SG-3675	
Motor Power (kW, 50/60Hz)	18.5	30	
Rotating Speed (rpm, 50/60Hz)	540/650	540/650	
Conveying Blower (kW, 50/60Hz)	1.1/1.3	1.5/1.9	
Material of Blades	SKD11	SKD11	
Quantity of Fixed Blades	2×1	2×2	
Quantity of Rotating Blades	3×2	3×2	
Cutting Chamber	mm	360 × 500	360 × 750
	inch	14.2 × 19.7	14.2 × 19.7
Max. Output	kg/hr	620	800
	lb/hr	1367	1764
Noise Level dB(A)	100-105	100-105	
Screen	Φ10mm/Φ0.39"		
Increased Conveying Blower power (kW)	○(1.5)	○(2.2)	
H	mm	2710-3155	2710-3155
	inch	106.7-124.2	106.7-124.2
H1	mm	1520	1520
	inch	59.8	59.8
H2	mm	360	360
	inch	14	14
H3	mm	1980	1980
	inch	78	78
H4	mm	1240-1690	1240-1690
	inch	48.8-66.5	48.8-66.5
H5	mm	2100	2100
	inch	82.7	82.7
H6	mm	780	780
	inch	30.7	30.7
W1	mm	1930	2180
	inch	76	85.8
W2	mm	1900-2310	1900-2310
	inch	74.8-90.9	74.8-90.9
W3	mm	500	750
	inch	19.7	29.5
W4	mm	160×160	160×160
	inch	6.3×6.3	6.3×6.3
D	mm	1720	1720
	inch	67.7	67.7
D1	mm	1250	1250
	inch	49.2	49.2
D2	mm	4220	4220
	inch	166.1	166.1
Weight	kg	1480	1730
	lb	3262	3814

Notes: 1) "○" stands for optional.

2) SKD11 is steel grade of Japanese JIS standard.

3) Max. capacity of the machine is subject to diameter of screen mesh size and composition of material.

4) Noise level varies with different materials and motor types.

5) To avoid plastic from sticking to the blades, all materials should be crushed at normal temperature.

6) Power supply : 3Φ, 230/400/460/575VAC, 50/60Hz.

SG-23/30/36

SG-23/30 Specifications

Model		SG-2324	SG-2336	SG-2348	SG-3048	SG-3060	
Motor Power (kW, 50/60Hz)		5.5/6.3	7.5/8.6	11/12.6	11/12.6	15/17.3	
Rotating Speed (rpm, 50/60Hz)		415/500	415/500	415/500	415/500	415/500	
Conveying Blower (kW, 50/60Hz)		0.55/0.66	0.55/0.66	0.55/0.66	0.55/0.66	0.55/0.66	
Material of Blades		SKD11	SKD11	SKD11	SKD11	SKD11	
Blade Type		Staggered	Staggered	Staggered	Paddle	Paddle	
Quantity of Fixed Blade		2 × 1	2 × 1	2 × 1	2 × 1	2 × 1	
Quantity of Rotating Blade		3 × 2	3 × 3	3 × 4	3 × 1	3 × 1	
Cutting Chamber	mm	230 × 240	230 × 360	230 × 480	300 × 480	300 × 600	
	inch	9.0 × 9.5	9.0 × 14.2	9.0 × 18.9	9.0 × 18.9	11.8 × 23.6	
Max. Output	kg/hr	90	120	150	185	220	
	lb/hr	198	265	331	408	485	
Noise Level dB(A)		90-95	90-95	90-95	90-95	90-95	
Screen		Φ8mm	Φ8mm	Φ8mm	Φ8mm	Φ8mm	
Dimension	H (mm)	mm	2210	2210	2210	2210	
		inch	87	87	87	87	
	H1 (mm)	mm	1175	1175	1175	1212	1212
		inch	46.3	46.3	46.3	47.8	47.8
	H2 (mm)	mm	230	230	230	300	300
		inch	9.1	9.1	9.1	11.8	11.8
	H3 (mm)	mm	1503	1503	1503	1632	1632
		inch	59.2	59.2	59.2	64.3	64.3
	H4 (mm)	mm	864	864	864	864	864
		inch	34	34	34	34	34
	W (mm)	mm	1523	1643	1763	1767	1886
		inch	60	64.7	69.4	69.6	74.3
	W1 (mm)	mm	968	1088	1208	1210	1330
		inch	38.1	42.8	47.6	47.6	52.4
	W3 (mm)	mm	240	360	480	480	600
		inch	9.5	14.1	18.9	18.9	23.6
	D (mm)	mm	1243	1243	1243	1386	1386
		inch	48.9	48.9	48.9	54.6	54.6
D 1(mm)	mm	903	903	903	1007	1007	
	inch	35.6	35.6	35.6	39.6	39.6	
Weight	kg	470	520	600	700	780	
	lb	1036	1146	1323	1543	1719	

- Notes: 1) SKD11 is steel grade of Japanese JIS standard.
 2) Max. capacity of the machine is subject to diameter of screen mesh and composition of material.
 3) Noise level varies with different materials and motor types.
 4) To avoid plastic from sticking to the blades, all materials should be crushed at normal temperature.
 5) Power supply : 3Φ, 230/400/460/575VAC, 50/60Hz.

We reserve the right to change specifications without prior notice.

Shini Group

Addr: No. 23, Minhe St., Shulin Dist.,
New Taipei, Taiwan

Tel: +886 2 2680 9119

Fax: +886 2 2680 9229

Email: shini@shini.com

Factories:

- Taiwan
- Dongguan
- Pinghu
- Ningbo
- Chongqing
- Pune