



## Hermetic cooling water tower

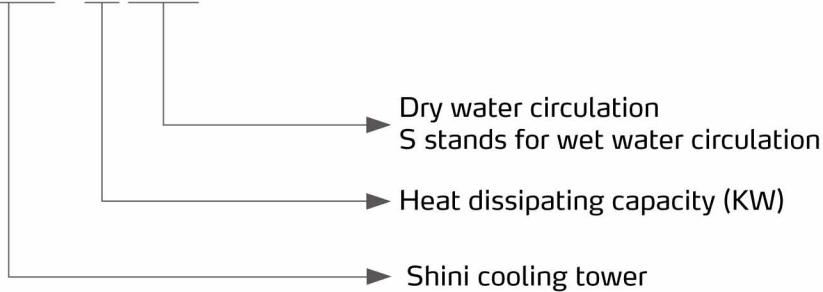
SDC-140WS



Refer carefully to this manual before operation.

## ■ Coding Principle

SDC - xx W(S)

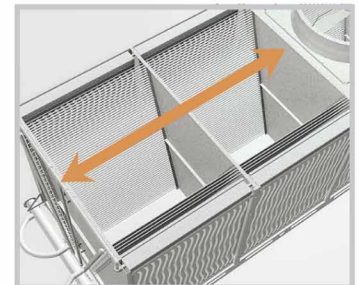


## ■ Features

- Modular design and easy capacity expansion help to reduce the impact of failure maintenance;
- Easy installation: small modular volume, convenient transportation, which only needs to connect the power supply and water pipe to put into operation.
- Economic energy saving: take ambient air as the cooling medium without the compressor to save the cost, and the whole water loop adopts hermetic circulation with little water consumption that greatly saves the resource.
- Aluminum air filter that is easy to clean.
- Evaporative wet curtain: In the summer, it can directly spray the running water to improve the heat exchange efficiency and maintain constant water temperature in the process. The spraying time is unlimited, high efficient and maintenance-free.
- Super wide heat exchanger
- Equipped with temperature control meter for temperature display at any moment;
- Equipped with anti-freezing measures and the ambient temperature is lower than 5°C, which can drain water automatically.



Evaporative wet curtain

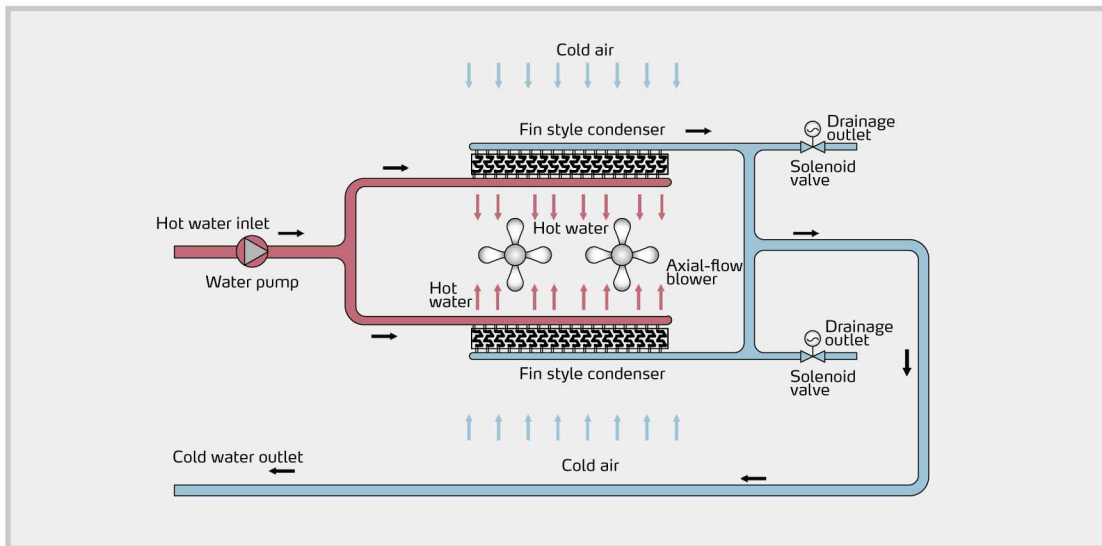


Wide type heat exchanger

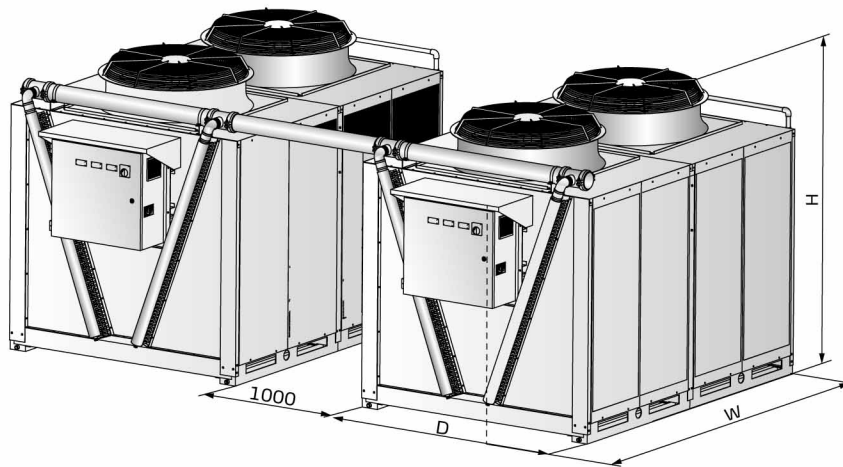
## ■ Applicable scope

As the clean cooling water is available, it's widely used in the industries with high demands of the cooling water quality, such as the electronic, food, chemical, casting, air conditioner and refrigeration industries. It's able to be applied for mould cooling to reduce the product's molding cycle, which also can be used for equipment cooling to ensure that the equipment is maintained at normal temperature, or other working areas which need cooling.

## Working principle



## Outline Drawings



## Specification

Machine Model		SDC-140WS
Refrigeration capacity	kW	140
Blower	n	2
Blower power	kW	4.4
Air quantity	m <sup>3</sup> /h	48000
Max. current	A	10.0
Rated water flow rate	m <sup>3</sup> /h	30
L	mm	2900
W	mm	1550
H	mm	1900
Water pipe connection mode	Flange or clamp	
Pipe dimension	DN	50×4

Grouping	Model	Type
Module combination	SDC-280WS	2×140WS
	SDC-420WS	3×140WS
	SDC-560WS	4×140WS

## Shini Group

Addr: No. 23, Minhe St., Shulin Dist.,  
New Taipei, Taiwan

Tel: +886 2 2680 9119

Fax: +886 2 2680 9229

Email: [shini@shini.com](mailto:shini@shini.com)

### Factories:

- Taiwan
- Dongguan
- Pinghu
- Ningbo
- Chongqing
- Pune

2022-06-15-04 Copyrights Reserved.

[www.shini.com](http://www.shini.com)