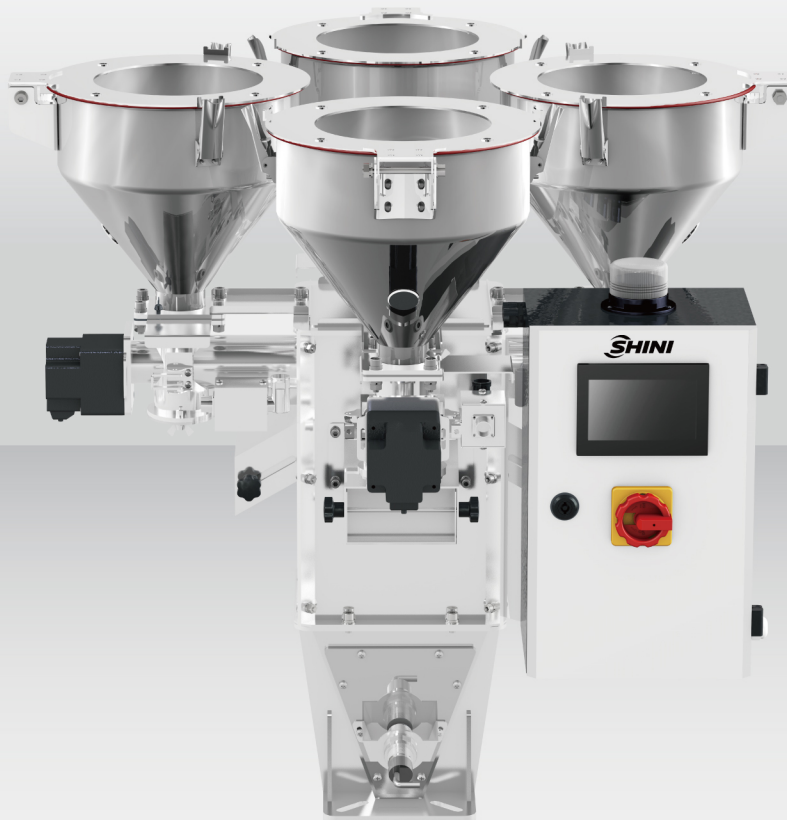


Proportional Mixer

SPM-40-4

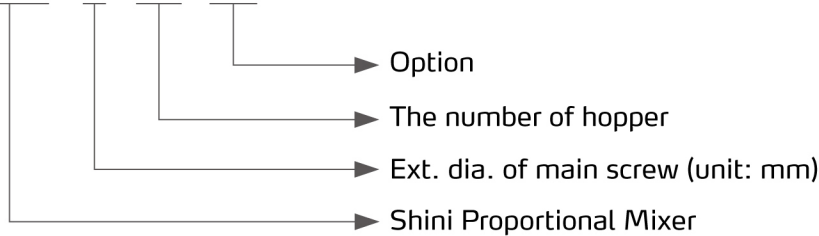


Refer carefully to this manual before operation.

SPM Series

■ Coding Principle

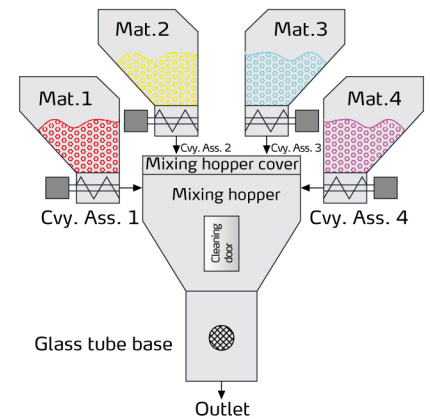
SPM - X - XX - XX



■ Features

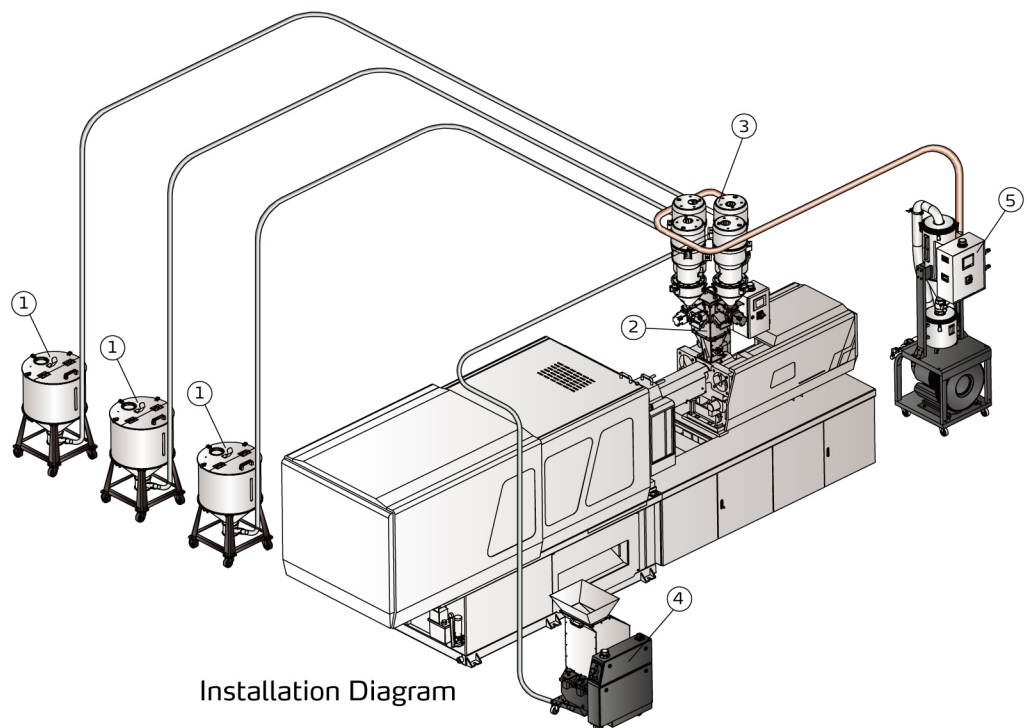
- The material contacted surface is made of SUS201 stainless steel.
- Simultaneous material dosing enables mixing while dosing.
- It can effectively mix the materials with large differences in bulk density, sizes, and shapes.
- No mixing is required to avoid issues resulting from dust and static.
- Modular assembly structures with convenient assembly and disassembly are easy to clean and exchange.
- A convenient material change setting of manual material cleaning valve.
- Recipe bank for convenience to change.
- DC brushless motor is free of maintenance and has a low maintenance cost.
- It is equipped with an anti-overflow protector that will shut down automatically and alarm.
- It is equipped with a material test port that is easy for customers to test the discharge capacity.

■ Working Principle



■ Application

- 1.MST
- 2.SPM
- 3.SHR-U-S
- 4.SG
- 5.SAL-UG



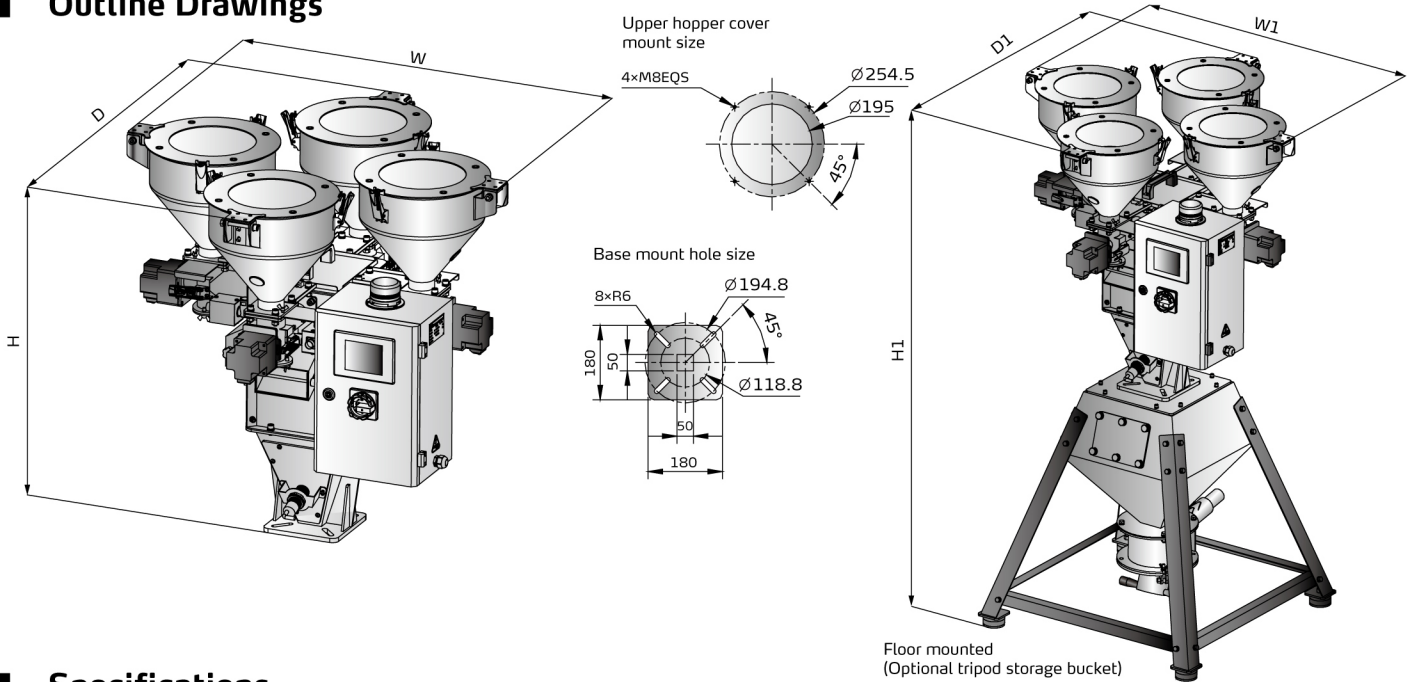
Option

- The low level sensor is optional of models for convenient alarm in advance when machine is short of material, and add "L" at the end of the model code.
- Floor mounted, with optional mounted storage bucket and suction box, and add "GS" at the end of the model code.



Level sensor

Outline Drawings



Specifications

Model		SPM-40-4		SPM-40-3		SPM-40-2	
Main/auxiliary Screw ext. (mm)		40×2	16×2	40×2	16×1	40×2	16×1
Main/auxiliary Motor power(kW)		0.06×2	0.06×2	0.06×2	0.06×1	0.06×1	0.06×1
Reduction ratio		1:18×2	1:10×2	1:18×2	1:10×1	1:18×1	1:10×1
Output(kg/hr)		210	15	210	15	210	15
Storage hopper(L)		6×4		6×3		6×2	
Low level sensor alarm		Option		Option		Option	
Dimension	H(mm)	880		880		880	
	W(mm)	900		900		900	
	D(mm)	900		800		590	
Weight(kg)		90		78		66	
Floor mounted	Dimension (mm)	900×900×1600		900×825×1600		900×750×1600	
	Weight(kg)	130		118		106	
	Storage hopper(L)	30		30		30	
	Suction box(inch)	1.5		1.5		1.5	

- Notes: 1) The output of above model is obtained based on continuous rotating of particles in bulk density of 0.65kg/L, and diameter of 3-5mm.
 2) Reference for Selection: max. conveying capacity of single screw actual material dosage of the screw One tenth of the single screw's max. conveying capacity
 3) Machine power supply: 1Φ, 220VAC, 50Hz

Shini Group

Addr: No. 23, Minhe St., Shulin Dist.,
New Taipei, Taiwan

Tel: +886 2 2680 9119

Fax: +886 2 2680 9229

Email: shini@shini.com

Factories:

- Taiwan
- Dongguan
- Pinghu
- Ningbo
- Chongqing
- Pune

2023-03-15-04 Copyrights Reserved.

www.shini.com