

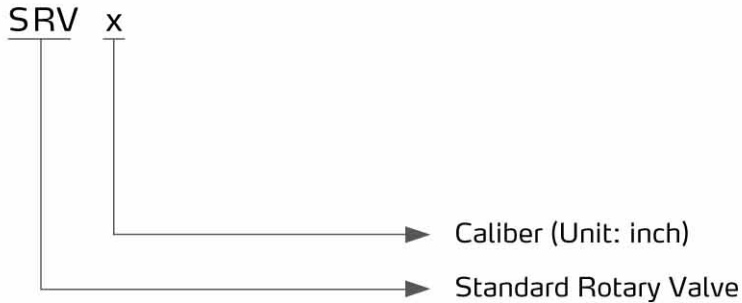
Rotary Valve

SRV8



SRV Series

■ Coding Principle



Shape Feed Port

■ Features

Standard

- The upper and lower flanges of this valve conform to the standard specification.
- The specification of flange can be selected from ANSI 150Lb, DIN PN10, GB PN10, JIS 10K, however, the outer diameter and thickness of the flange will follow SHINI's standard.

Main materials

- Casing: SCS 13 (Stainless steel casting steel)
- Rotor: SCS 13
- Side cover: AC4B-T6 (The design temperature is under 100°C) adopting aluminium alloy casting SCS13 (the design temperature is over 100°C or the air contacting part is required with stainless steel).
- Shaft sleeve: SUS 304

Structure

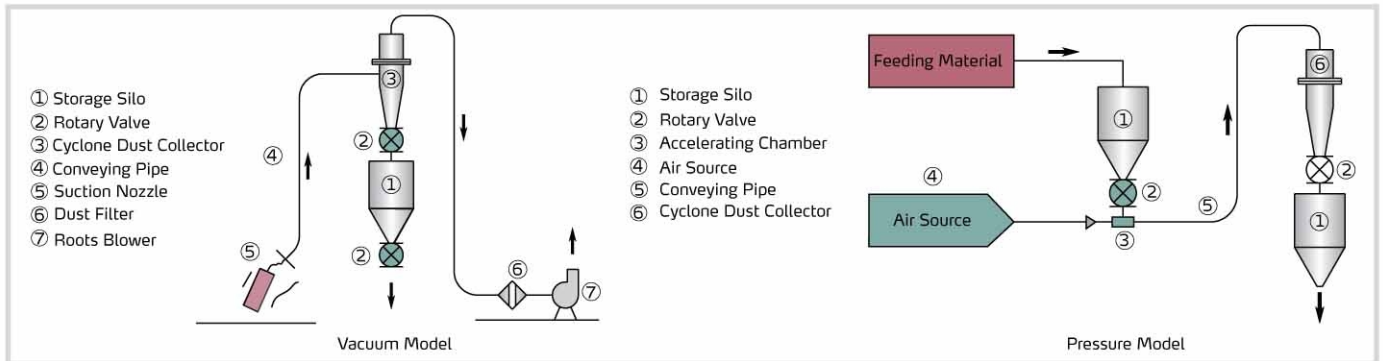
- Anti-shearing: in order to avoid chopping the pellet, the entrance of this valve is designed on the shape of "W".
- Shaft seal: use double-lip seal ring whose material is PTFE to keep a higher sealing performance, hardly daily check.

Optional accessories

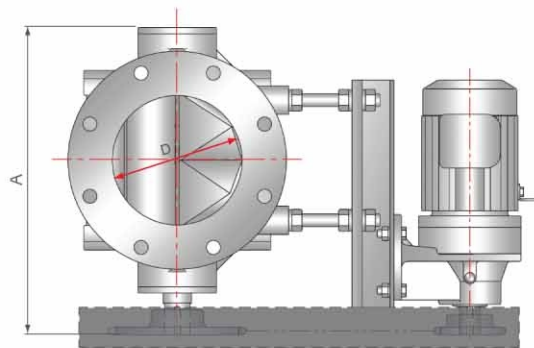
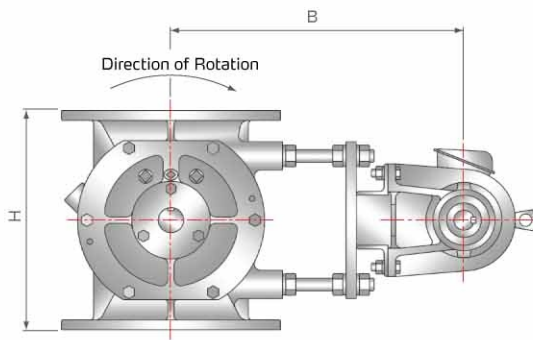
- Feed nozzle: SFN-type (T-type), applicable for the pneumatic conveying line with multi-station; SFH-type (J-type), applicable for the dense phase pneumatic conveying in which no powder remnant is allowable.
- Vent chamber: Normally, the light powder is not fed to the rotary valve stably due to the leakage air. This vent chamber with special structure will help the rotary valve work properly.

■ Application

The rotary valve is designed to feed powder materials and is the most precision feeding machine. Especially, it will get the optimal efficiency in the pneumatic conveying system or differential pressure condition.



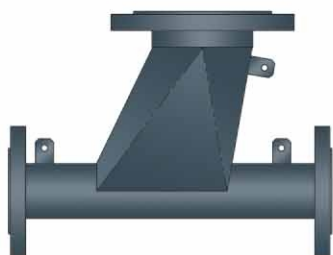
Outline Drawings



Specifications

Type	Caliber (inch)	H (mm)	Rotor Capacity (L/Rev)	A (mm)	B (mm)	D (mm)	Drive Motor (kW)	Weight (kg)
SRV3	3	220	0.7	356	309	84	0.2	40
SRV4	4	270	1.9	397	334	110	0.4	65
SRV5	5	300	2.8	417	346	134	0.4	70
SRV6	6	330	4.5	442	359	159	0.4	90
SRV8	8	350	6.8	486	412	210	0.75	125
SRV10	10	415	13.3	586	442	260	0.75	170
SRV12	12	485	21.7	607	486	310	1.5	280
SRV14	14	585	42	710	541	347	2.2	440
SRV16	16	645	63	760	571	397	2.2	520
SRV18	18	700	80	840	601	448	3.7	650

Optional Accessories



SFN (T-Type)



SFN (J-Type)

Feed Nozzle



Vent Chamber

Shini Group

Addr: No. 23, Minhe St., Shulin Dist.,
New Taipei, Taiwan

Tel: +886 2 2680 9119

Fax: +886 2 2680 9229

Email: shini@shini.com

Factories:

- Taiwan
- Dongguan
- Pinghu
- Ningbo
- Mumbai

2013-08-15-04 Copyrights Reserved.

www.shini.com