

Container bag discharge station

SS-TKD



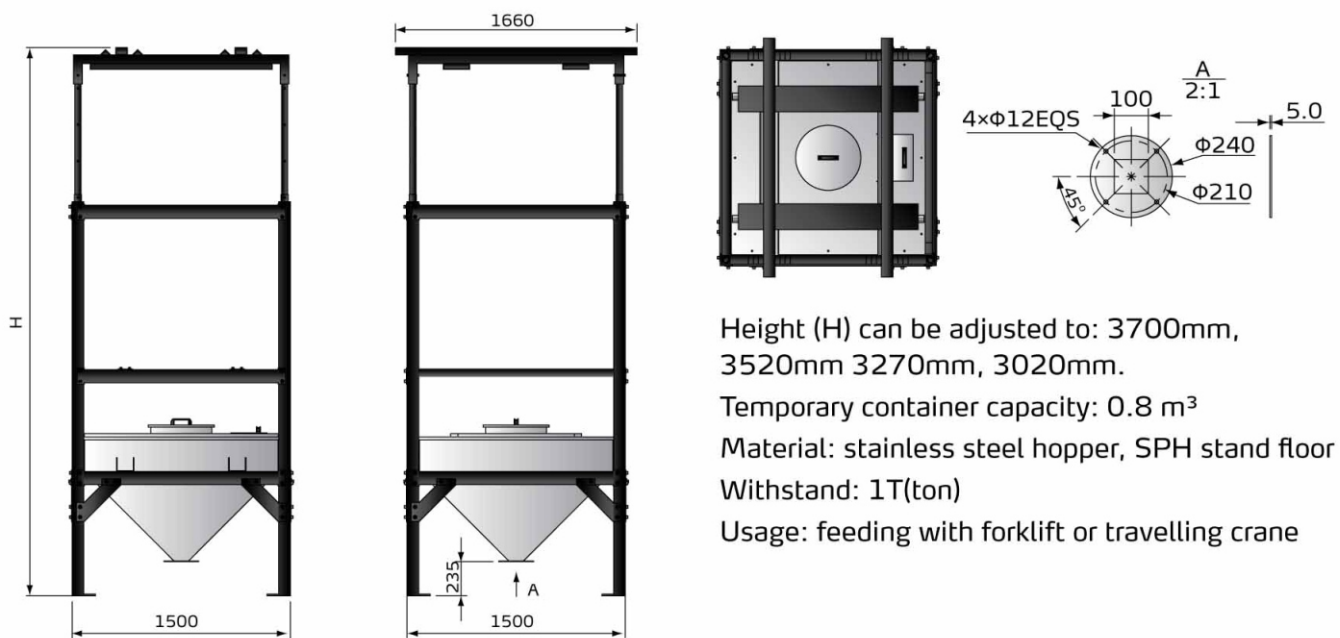
Refer carefully to this manual before operation.

SS-TK Series

Application

The container bag discharge station is used for discharging and conveying of materials from the container bag in the plant; With simple operation, its bottom can mount the suction box for production line conveying or silo feeding; which also can install the optional rotary valve and acceleration chamber to feed the large silo.

Outline Drawings(SS-TK)



Height (H) can be adjusted to: 3700mm, 3520mm, 3270mm, 3020mm.

Temporary container capacity: 0.8 m³

Material: stainless steel hopper, SPH stand floor

Withstand: 1T(ton)

Usage: feeding with forklift or travelling crane

3D Diagram

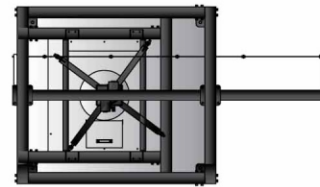
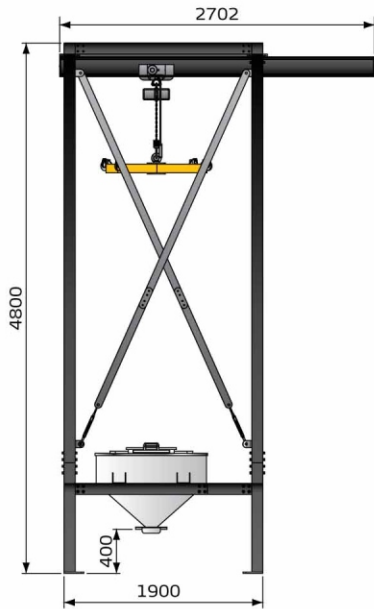


Feeding with forklift



■ **Outline Drawings(SS-TKD)**

Optional with electrical hoist



Electrical hoist: load 2T,
Spe.: 3Φ/380V/50HZ

Range of use: total length of the container bag $\leq 2350\text{mm}$ (with hoisting belt)

Temporary container capacity: 0.4 m^3

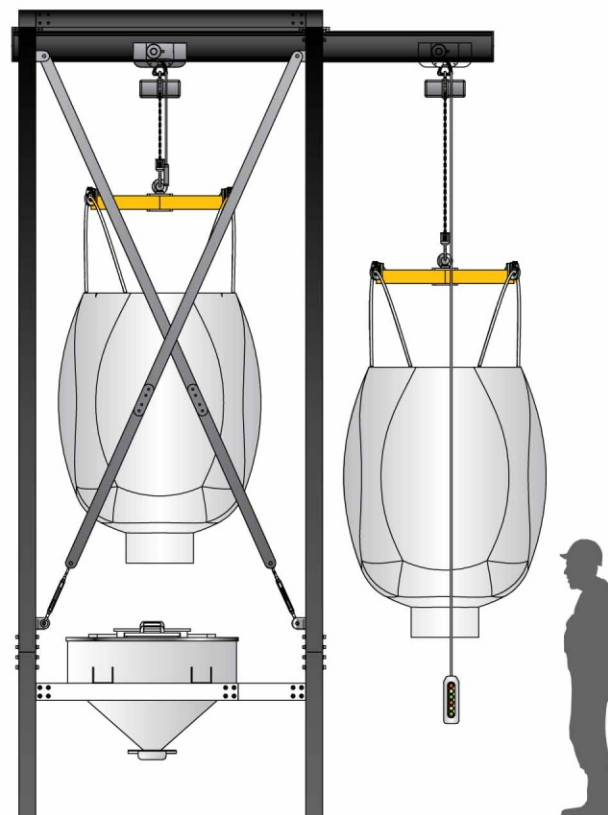
Standard shut-off plate

Suction box is optional

3D Diagram



Operations



Shini Group

Addr: No. 23, Minhe St., Shulin Dist.,
New Taipei, Taiwan

Tel: +886 2 2680 9119

Fax: +886 2 2680 9229

Email: shini@shini.com

Factories:

- Taiwan
- Dongguan
- Pinghu
- Ningbo
- Chongqing
- Pune

2017-11-15-04 Copyrights Reserved.

www.shini.com