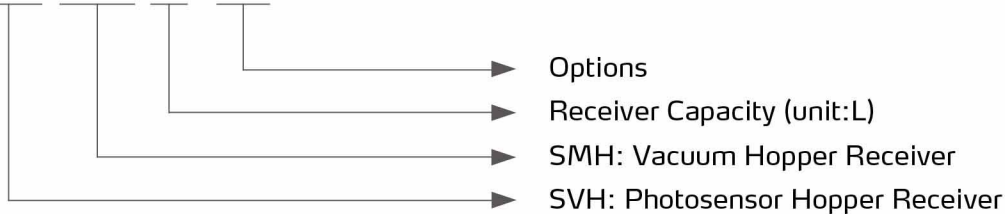




## SVH/SMH Series

### ■ Coding Principle

SVH/SMH-xL - xxx



### ■ Features

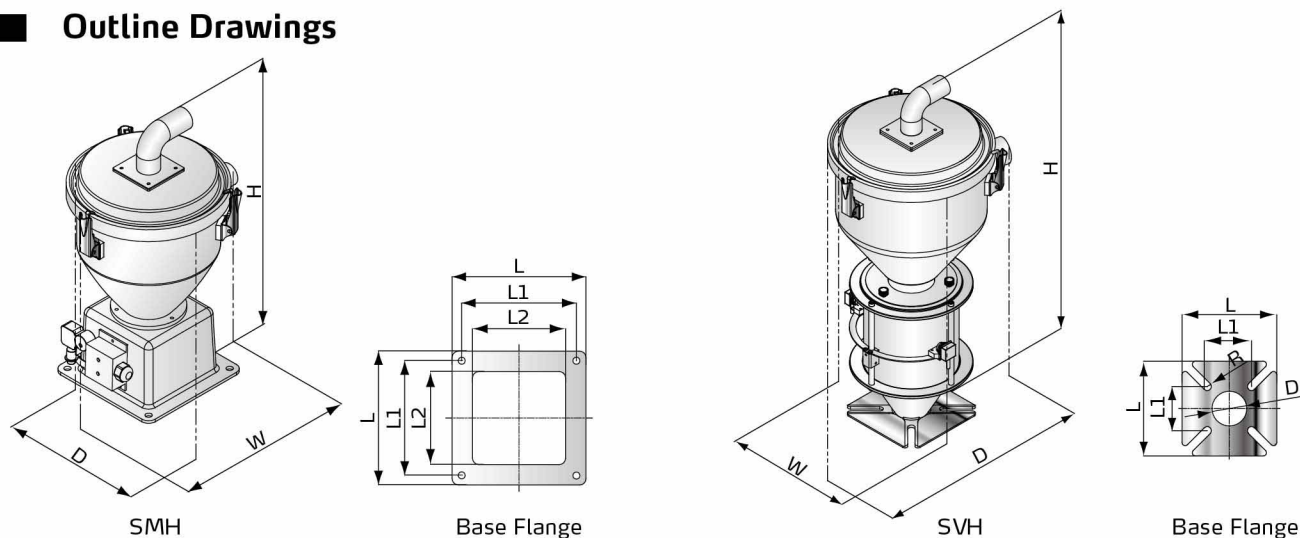
- This series of hopper receiver can work with most of the main vacuum units, such as SAL-G and SAL-UG series.
- SMH receiver is suitable for mounting on the dryer, storage tank, or machine hopper.
- SVH receiver is designed to be mounted directly on feeding throat of the plastic processing machine. It required no machine hopper and kept very little dried material before the process.
- Stainless steel hopper receiver.
- Standard equipped with steel wired mesh filter screen.

### ■ Options

- Optional enhanced mixing technology for proportional valve SPV-U application. Add "QM" at the end of the model code.

# SVH/SMH Series

## Outline Drawings



### SVH Specifications

Model	Receiver			Conveying pipe dia. (inch)	Vacuum pipe dia. (inch)
	Capacity (L)	Dimension H×W×D (mm)	Weight (kg)		
SVH-3L	3	460×260×315	3	1.5	1.5
SVH-6L	6	600×260×305	7	1.5	1.5
SVH-12L	12	700×300×365	11	1.5	1.5
SVH-24L	24	1120×360×375	13	2	2

### SVH Base mounting dimensions

Model	L(mm)	L1(mm)	D(mm)	R(mm)
SVH-3L	120	50	40	6.5
SVH-6L	150	70	55	6.5
SVH-12L	180	80	55	6.5
SVH-24L	180	80	80	6.5

### SMH Specifications

Model	Receiver			Conveying pipe dia. (inch)	Vacuum pipe dia. (inch)
	Capacity (L)	Dimension H×W×D (mm)	Weight (kg)		
SMH-6L	6	460 × 260 × 315	7	1.5	1.5
SMH-12L	12	515 × 325 × 350	7	1.5	1.5
SMH-24L	24	720 × 325 × 375	9	2	2

### SMH Base mounting dimensions

	L (mm)	L1 (mm)	L2 (mm)
SMH-6L	210	180	146
SMH-12L			
SMH-24L			

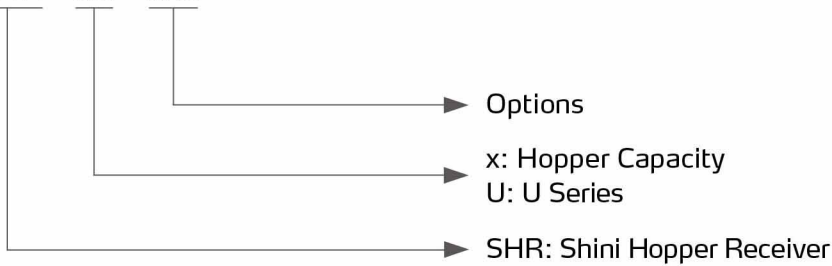


SHR-U

# SHR-U Series

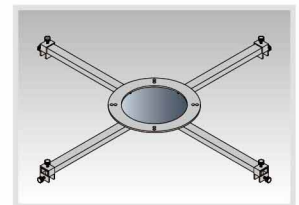
## ■ Coding Principle

SHR - xU - xxx



## ■ Features

- This series of hopper receiver can work with the most of main vacuum units and Shini compact dryer SCD, SAL-UG series required 4 pins receiver, and SCD series required 4 pins receiver.
- SHR-U receiver is suitable for mounting on the dryer, storage tank, or machine hopper.
- Stainless steel hopper receiver.
- Standard equipped with steel wired mesh filter screen.



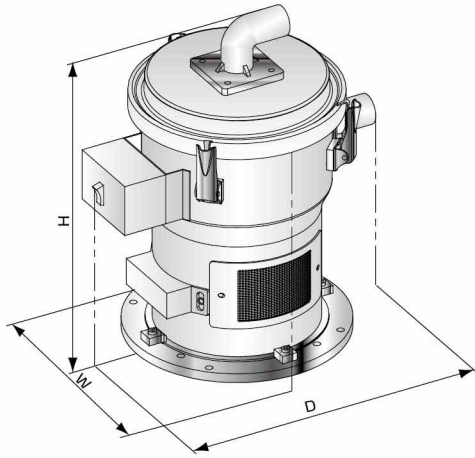
Multifunctional installation frame HMB

## ■ Options

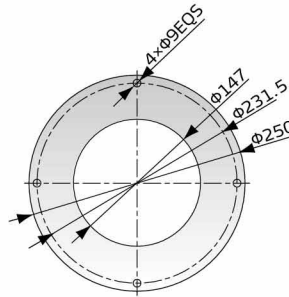
- Multi-functional installation frame HMB suitable for other mounting application with max. 900mm adjustable diameter. Add "HMB" at the end of the model code.
- Optional enhanced mixing technology for proportional valve SPV-U application. Add "QM" at the end of the model code.
- Anti-bridge option at the material outlet for SHR-48U. Applicable for flowing material but bridging from time to time only. Add "MB" at the end of the model code.

# SHR-U-(E) Series

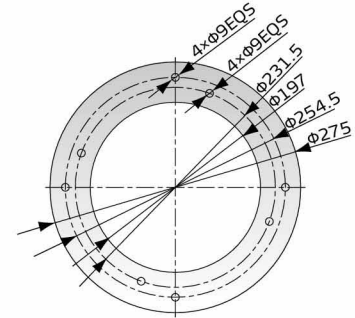
## Outline Drawings



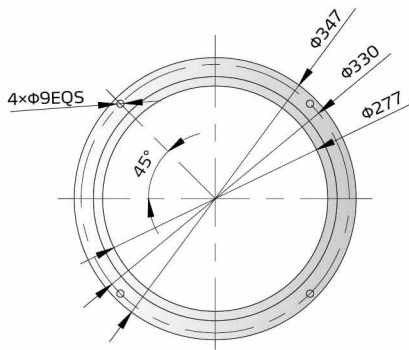
SHR-U



SHR-3U  
Base Flange



SHR-6U~24U  
Base Flange



SHR-36U~96U  
Base Flange

## Specifications

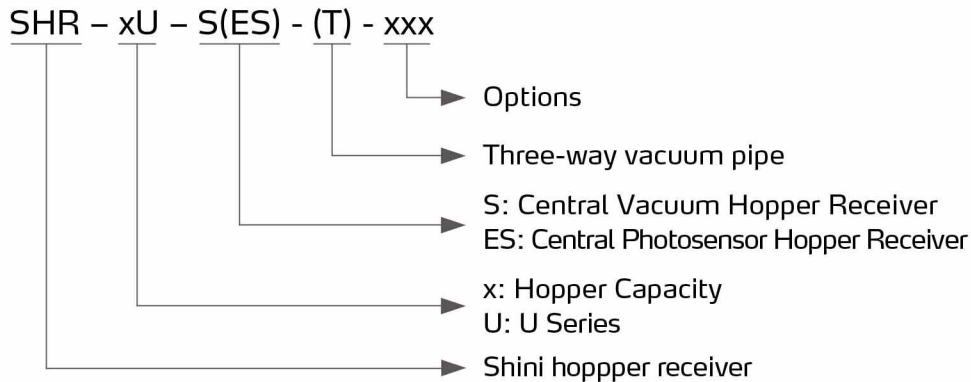
Model	Receiver			Conveying Pipe Dia. (inch)	Vacuum Pipe Dia. (inch)
	Capacity (L)	Dimension(H×W×D) (mm)	Weight (kg)		
SHR-3U	3	380 × 250 × 330	4	1.5	1.5
SHR-6U	6	420 × 285 × 360	6	1.5	1.5
SHR-12U	12	470 × 315 × 400	7	1.5	1.5
SHR-24U	24	690 × 315 × 400	9	2	2
SHR-36U	36	822 × 348 × 457	11	2	2.5
SHR-48U	48	976 × 348 × 455	15	2.5	3
SHR-96U	96	1095 × 428 × 562	20	2.5	3



SHR-U-S

# SHR-U-S(ES)-(T) Series

## ■ Coding Principle



## ■ Features

- This series of centralized hopper receiver can work with the most of central vacuum units such as SAL-UG 122/124 and central conveying system.
- SHR-U-S receiver is suitable for mounting on the dryer, storage tank, or machine hopper.
- SHR-U-E receiver is designed to be mounted directly on feeding throat of the plastic processing machine. It required no machine hopper and kept very little dried material before the process.
- SHR-U-S-T or SHR-U-ES-T can work with multi-component batch blending or injection application. The three-way vacuum pipe allows easy connection of vacuum pipe from receiver to receiver in short proximity application.
- Stainless steel hopper receiver.
- The vacuum valve is used to ensure a good vacuum line without compromising the most demanding conveying capacity.
- Standard equipped with steel wired mesh filter screen.



SHR-U-ES

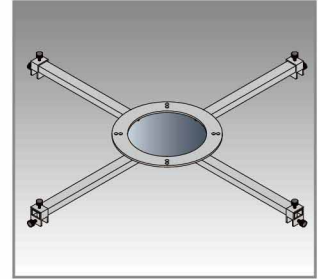


SHR-U-ST

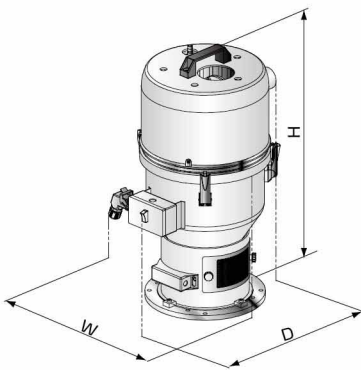
# SHR-U-S/ES-(T) Series

## Options

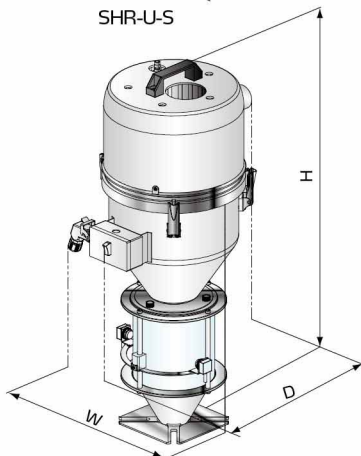
- Multiple-functional installation frame HMB suitable for other mounting application with max. 900mm adjustable diameter.
- The optional material one-way flap on each receiver to ensure good vacuum in the common material line conveying system. Add "RSV" at the end of the model code.
- The material discharge flap with extra thickness. Add "SD" at the end of the model code.
- Anti-bridge option at the material outlet for SHR-48U. Applicable for flowing material but bridging from time to time only. Add "MB" at the end of the model code.
- The optional pneumatic check valve is available for SHR-12U/24U/36U-S to avoid suck-back when the material pipe is shared by several hoppers, and add "PSV" at the end of the model code.



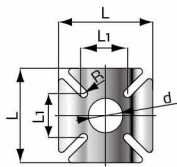
Multifunctional installation frame



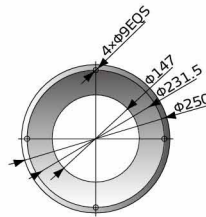
SHR-U-S



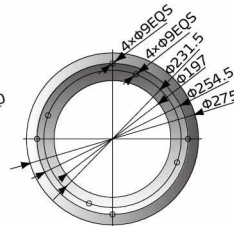
SHR-U-ES



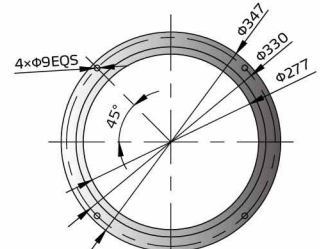
SHR-U-ES Base Flange



SHR-3U-S Base Flange



SHR-6U-S-SHR-24U-S Base Flange



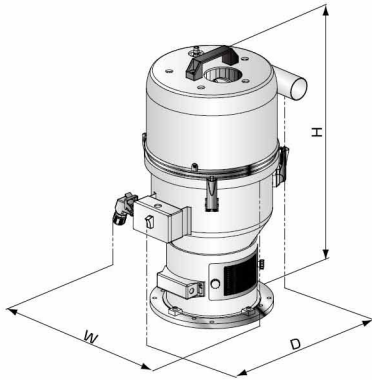
SHR-36U-S-SHR-96U-S Base Flange

## SHR-U-S Specifications

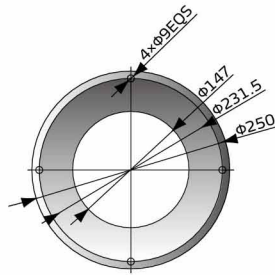
Model	Capacity (L)	Receiver		Conveying Pipe Dia. (inch)	Vacuum Pipe Dia. (inch)
		Dimension (H×W×D)(mm)	Weight (kg)		
SHR-3U-S	3	600 × 270 × 340	4.5	1.5	2
SHR-3U-ES		745 × 270 × 330			
SHR-6U-S	6	560 × 305 × 375	7.5	1.5	2
SHR-6U-ES		730 × 305 × 375			
SHR-12U-S	12	615 × 335 × 405	9	1.5	2
SHR-12U-ES		810 × 335 × 405			
SHR-24U-S	24	825 × 335 × 405	11	2	2.5
SHR-24U-ES		1255 × 400 × 405			
SHR-36U-S	36	1054 × 394 × 469	12	2	2.5
SHR-48U-S	48	1202 × 394 × 456	18	2.5	3
SHR-96U-S	96	1434 × 475 × 556	23	2.5	3

## SHR-U-S Base mounting dimensions

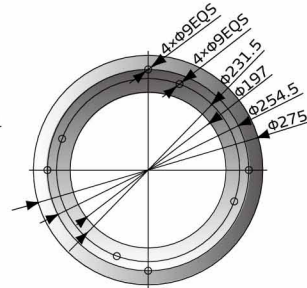
Model	L (mm)	L1 (mm)	d (mm)	R (mm)
SHR-3U-ES	120	50	40	6.5
SHR-6U-ES	150	70	55	6.5
SHR-12U-ES	180	80	55	6.5
SHR-24U-ES	180	85	80	6.5



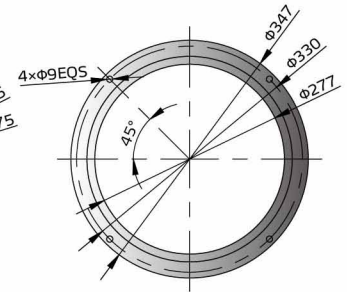
SHR-U-ST



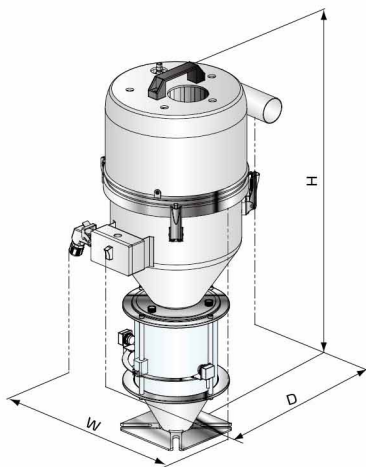
SHR-3U-ST  
Base Flange



SHR-6U-S-SHR-24U-ST  
Base Flange



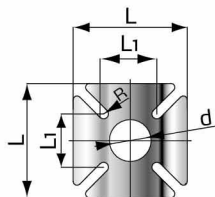
SHR-36U-ST-SHR-48U-ST  
Base Flange



SHR-U-EST

**SHR-U-ST Specifications**

Model	Hopper capacity (L)	Receiver		Conveying Pipe Dia. (inch)	Air Suction Pipe Dia. (inch)
		Dimension (H×W×D) (mm)	Weight (kg)		
SHR-3U-ST	3	600 × 260 × 370	4.5	1.5	2
SHR-3U-EST		745 × 235 × 370			
SHR-6U-ST	6	560 × 290 × 400	7.5	1.5	2
SHR-6U-EST		727 × 280 × 400			
SHR-12U-ST	12	615 × 305 × 440	9	1.5	2
SHR-12U-EST		810 × 305 × 440			
SHR-24U-ST	24	825 × 305 × 455	11	2	2.5
SHR-24U-EST		1255 × 400 × 455			
SHR-36U-ST	36	1054 × 349 × 510	12	2	2.5
SHR-48U-ST	48	1202 × 349 × 504	18	2.5	3



SHR-U-EST  
Base Flange

**SHR-U-EST Base mounting dimensions**

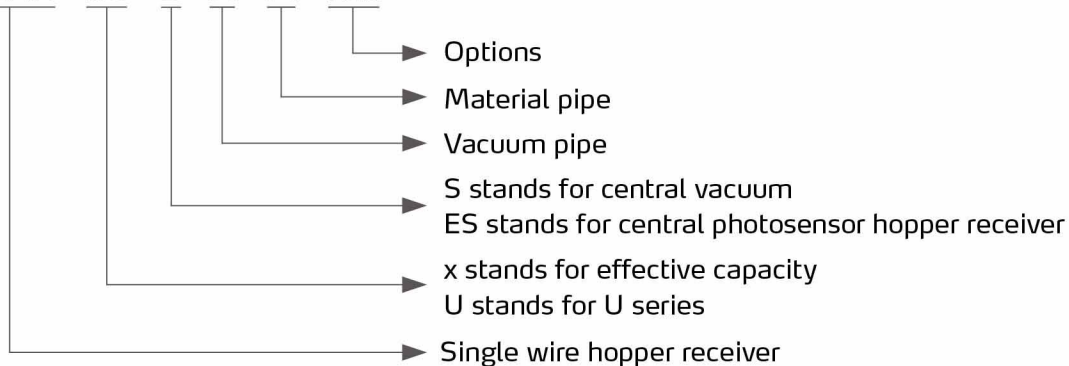
Model	L(mm)	L1(mm)	d(mm)	R(mm)
SHR-3U-EST	120	50	40	6.5
SHR-6U-EST	150	70	55	6.5
SHR-12U-EST	180	80	55	6.5
SHR-24U-EST	180	85	80	6.5



# SLHR-U-S Series

## ■ Coding Principle

SLHR - xU - S - A - M - xxx



## ■ Features

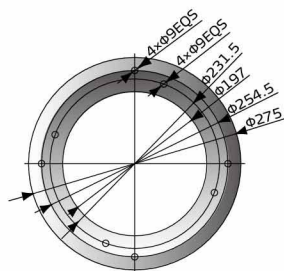
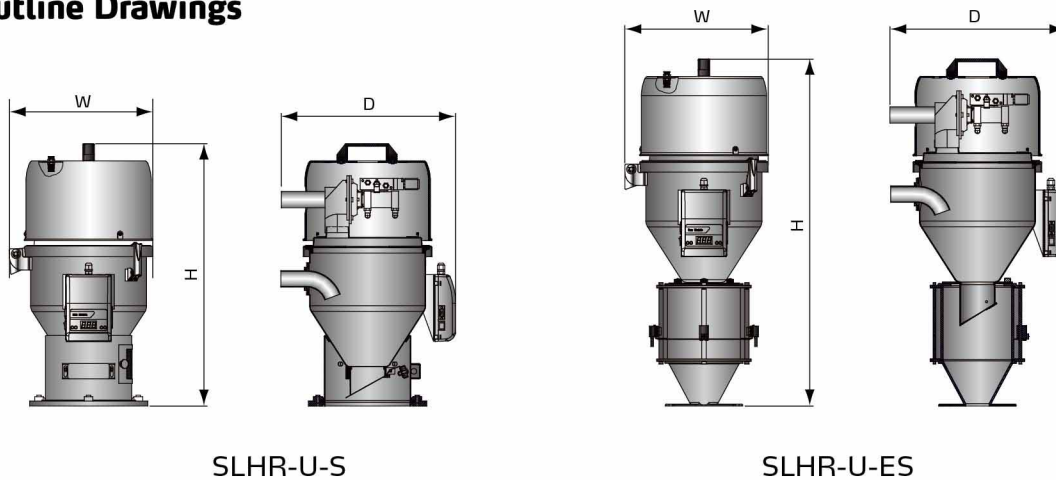
- This product is mainly used for single wire central conveying system
- SLHR-3U/6U/12U material pipe and vacuum pipe with a selection of 1.5" or 2" pipe
- SLHR-U-24U material pipe and vacuum pipe with a selection of 2" or 2.5" pipe
- The glass pipe is installed at the bottom of SLHR-U-E for temporary storage to ensure no material shortage during the conveying to realize continuous production.
- Stainless steel hopper ensures no material contamination.
- Equipped with vacuum separating valve that can effectively open/close the vacuum loop;
- Standard equipped with steel mesh filter



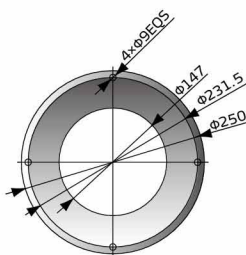
## Options

- The machine can select the backstop to avoid air leakage of the single wire central conveying system when sharing the material pipe, and add "RSV" at the end of the model code.
- SLHR-6U/12U/24U-S can select the pneumatic valve to avoid material return when sharing the single material pipe, and add "PSV" at the end of the model code.

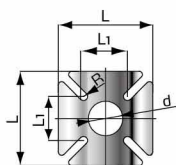
## Outline Drawings



SLHR-6U-S-36U-S  
mounting base



SLHR-3U-S  
mounting base



SLHR-U-ES  
mounting base

## Specifications

Model	Capacity (L)	Dimension (H×W×D) (mm)	Weight (kg)	Conveying Pipe Dia. (inch)	Vacuum Pipe Dia. (inch)
SLHR-3U-S	3	600×270×335	4.5	1.5/2	1.5/2
SLHR-3U-ES		745×270×330			
SLHR-6U-S	6	565×305×385	7.5	1.5/2	1.5/2
SLHR-6U-ES		730×305×385			
SLHR-12U-S	12	615×335×410	9	1.5/2	1.5/2
SLHR-12U-ES		810×335×410			
SLHR-24U-S	24	825×335×405	11	2/2.5	2/2.5
SLHR-24U-ES		1255×400×405			

### SLHR-U-ES base installation dimension

Model	L(mm)	L1(mm)	D(mm)	R(mm)
SLHR-3U-ES	120	50	40	6.5
SLHR-6U-ES	150	70	55	6.5
SLHR-12U-ES	180	80	55	6.5
SLHR-24U-ES	180	85	80	6.5

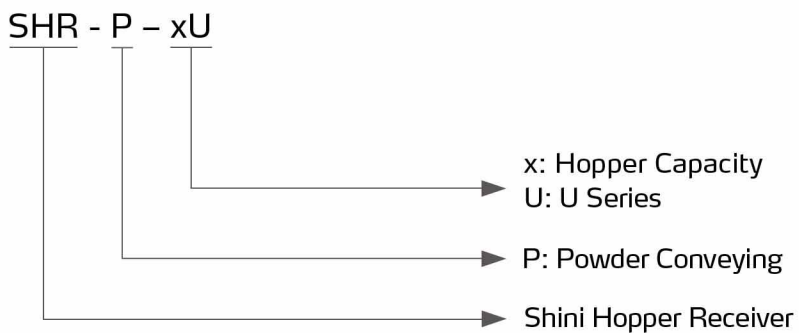
We reserve the right to change specifications without prior notice.



SHR-P-60U

## ***SHR-P-U Series***

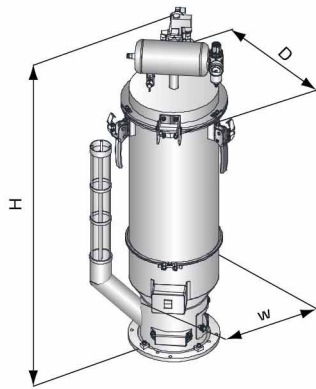
### ■ Coding Principle



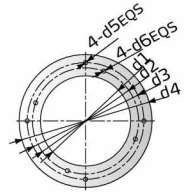
### ■ Features

- This series of power receiver can work with the main vacuum units such as SAL-UGP.
- SHR-P-U consists of two categories, the cloth mesh filter and the plate filter. Cloth mesh filter is used to convey materials with powder content  $\leq 30\%$ , plate filter is used to convey materials with powder content  $> 30\%$ .
- Stainless steel hopper receiver.
- The vacuum valve is used to ensure a good vacuum line without compromising the most demanding conveying capacity.
- All models equipped with auto-purge after each conveying cycle. It maintains a good conveying result and reduces maintenance.

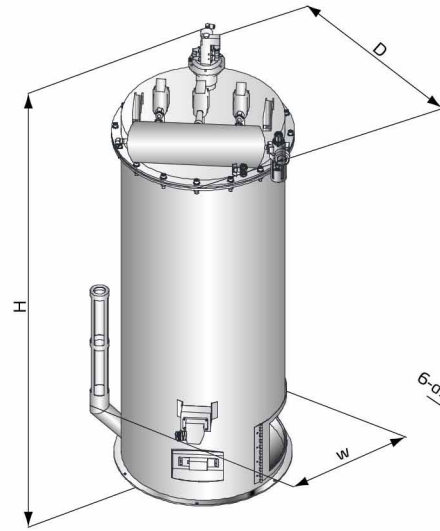
## Outline Drawings



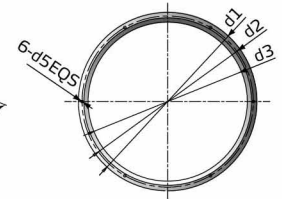
SHR-P-12U



SHR-P-12U  
Base Flange



SHR-P-30U~SHR-P-90U



SHR-P-30U~SHR-P-90U  
Base Flange

## Specifications

Model	SHR-P-12U	SHR-P-30U	SHR-P-30U-1	SHR-P-30U-2	SHR-P-60U	SHR-P-60U-3	SHR-P-90U	SHR-P-90U-5
Hopper capacity (L)	12	30	30	30	60	60	90	90
H(mm)	940	1378	1378	1378	1500	1500	1640	1640
W(mm)	535	730	730	730	780	780	890	890
D(mm)	380	470	470	470	500	500	635	635
d1(mm)	φ197	φ383	φ383	φ383	φ440	φ440	φ550	φ550
d2(mm)	φ231.5	φ413	φ413	φ413	φ475	φ475	φ583	φ583
d3(mm)	φ254.6	φ430	φ430	φ430	φ490	φ490	φ600	φ600
d4(mm)	φ271	—	—	—	—	—	—	—
d5(mm)	φ9	φ7	φ7	φ7	φ7	φ7	φ9	φ9
d6(mm)	φ9	—	—	—	—	—	—	—
Weight(kg)	27	57	60	63	60	69	72	87
Conveying Pipe Dia. (inch)	1.5	1.5	1.5	1.5	2.0	2.0	2.5	2.5
Vacuum Pipe Dia. (inch)	1.5	1.5	1.5	1.5	2.0	2.0	2.5	2.5



SHR-CP-U



SICH-6U



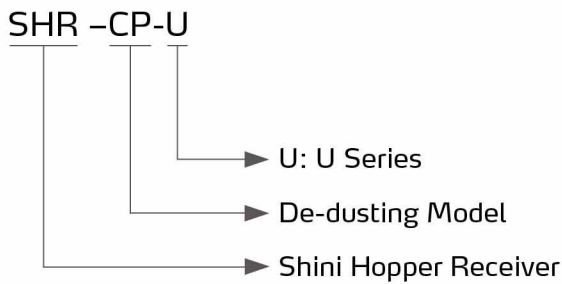
SICH-12U



SICH-24U

# SHR-CP-U Series

## ■ Coding Principle



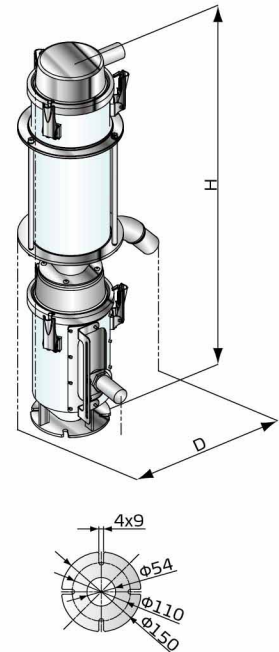
## ■ Features

- SHR-CP-U hopper receiver mainly works with Shini compact dryer SCD or small vacuum units, such as SAL-820G.
- The unique design receiver hopper separated dust from material directly at the glass section. Dust is carried by return airflow back to filter on the main vacuum unit.
- Stainless steel hopper receiver.
- Adjustable material level sensor for the better de-dusting result.

## ■ Specifications

Model	Receiver					Conveying Pipe Dia. (inch)	Vacuum Pipe Dia. (inch)
	Capacity (L)	De-dust efficiency	Capacity (kg/hr)	Dimension (H×W×D) (mm)	Weight (kg)		
SHR-CP-3U	3	80%	10	820 × 280 × 305	8	1.5	1.5

## ■ Outline Drawings



Base Flange

# SCH-U/SICH-U/SCH-P-U Series

## Coding Principle

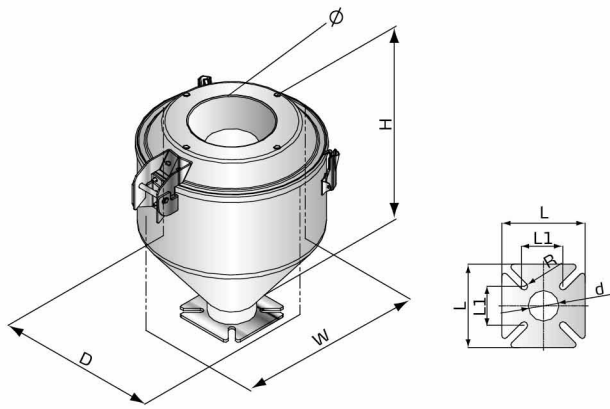
S(I)CH-P – xU

- x: Hopper Capacity
- U: U Series
- P: For powder conveying
- SCH: Shini Storage Collective Hopper
- SICH: Shini Insulated Collective Hopper

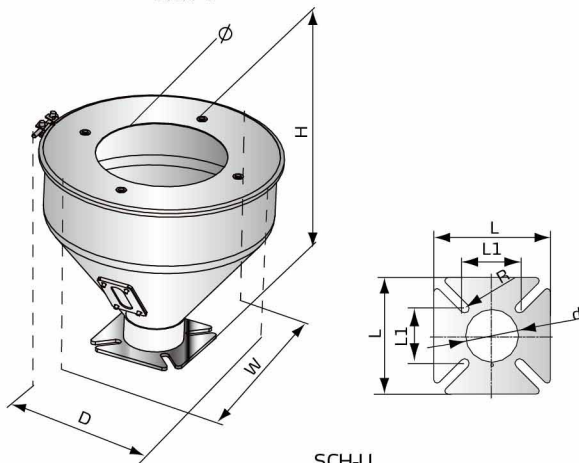
## Features

- SCH is mainly used for collecting with hopper receiver SMH.
- SCH-U and SICH-U are mainly to work with the SHR-U vacuum hopper receiver and SHR-U or SHR-U-S.
- Insulated collective hopper SICH-U ensures material temperature loss of less 30 degrees in 30 mins.
- Stainless steel hopper ensures no material contamination.
- SCH is made aluminum material.

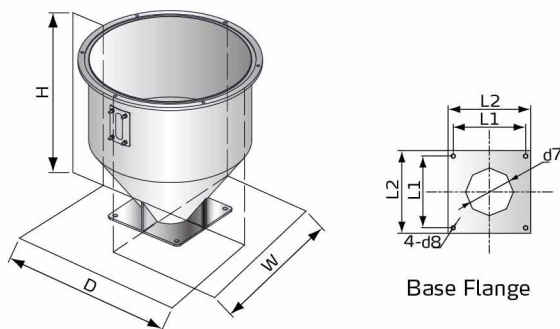
## Outline Drawings



SICH-U



SCH-U



SCH-P-U

## Specifications

### SICH-U

Model	Hopper capacity (L)	Dimension (H×W×D) (mm)	Weight (kg)
SICH-6U	6	340 × 345 × 300	8
SICH-12U	12	425 × 405 × 350	11
SICH-24U	24	535 × 490 × 430	15

### SICH-U Base Flange

Model	φ(mm)	L(mm)	L1(mm)	d(mm)	R(mm)
SICH-6U	231.5	150	81	51.5	6.5
SICH-12U	231.5	150	81	55	6.5
SICH-24U	254.5	180	85	64.5	6.5

### SCH-U

Model	Hopper capacity (L)	Dimension (H×W×D) (mm)	Weight (kg)
SCH-6U	6	257 × 300 × 317	4.5
SCH-12U	12	314 × 362 × 381	7
SCH-24U	24	329 × 404 × 423	9
SCH-36U	36	448 × 404 × 423	11

### SCH-U Base Flange

Model	φ(mm)	L(mm)	L1(mm)	d(mm)	R(mm)
SCH-6U	231.5	150	80	58.5	6.5
SCH-12U	254.5	150	80	58.5	6.5
SCH-24U	254.5	180	85	81.5	7
SCH-36U	254.5	180	85	81.5	7

### SCH-P-U

Model	Hopper capacity (L)	Dimension (H×W×D) (mm)	Weight (kg)
SCH-P-30U	30	428 × 430 × 430	9
SCH-P-60U	60	516 × 490 × 490	11
SCH-P-90U	90	642 × 600 × 600	15

### SCH-P-U Base Flange

Model	L1(mm)	L2(mm)	d7(mm)	d8(mm)
SCH-P-30U	180	210	100	11
SCH-P-60U	180	210	127	11
SCH-P-90U	180	210	152.4	11

## Shini Group

Addr: No. 23, Minhe St., Shulin Dist.,  
New Taipei, Taiwan

Tel: +886 2 2680 9119

Fax: +886 2 2680 9229

Email: [shini@shini.com](mailto:shini@shini.com)

### Factories:

- Taiwan
- Dongguan
- Pinghu
- Ningbo
- Chongqing
- Pune