



"Standard" Drying Loader

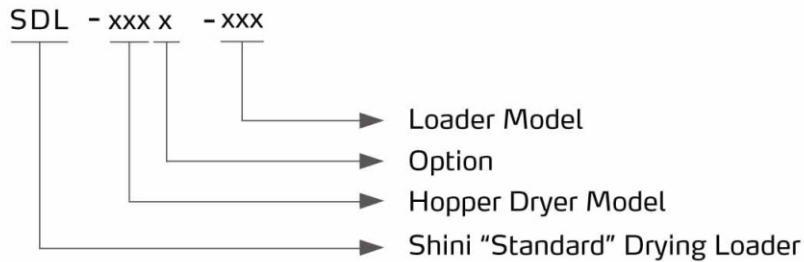
SDL-100-800G



Refer carefully to this manual before operation.

SDL Series

■ Coding Principle



■ Features

- Adopts proportional deviation display thermostat, which controls the temperature accurately.
- Stainless steel hopper ensures no material contamination.
- Hopper separated from its base, which ensures convenient cleaning.
- Single tube suction box is standard equipment.
- SDL-300 and even smaller models below are equipped with standard base. SDL-400 and even bigger models above it are equipped with magnetic base.
- For SHD-25SL~150SL, heater pipes are connected by aluminum sheets and other models are equipped with temperature protection to prevent heater pipe from damaging by blower faults.
- Overheat tripping can automatically cut off power when drying temperature exceeds set deviation value.
- Adopts heat-insulated blower to prolong blower lifespan.
- All series of models adopt microcomputer control and RS485 communication port.

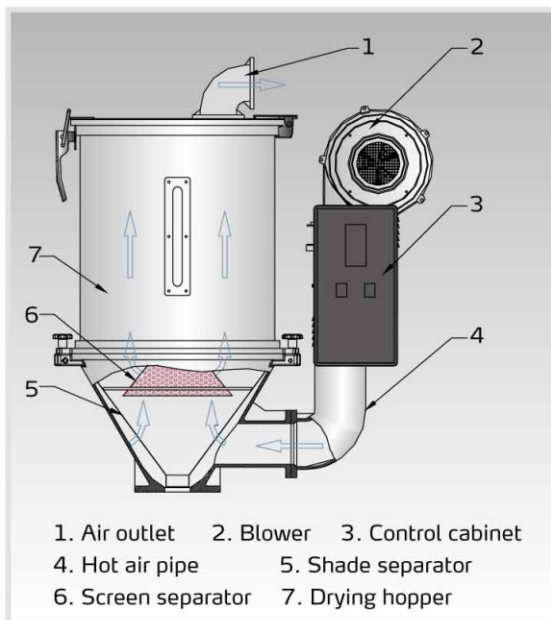


SDL-25 -700G



Hopper Inside

■ Working Principle

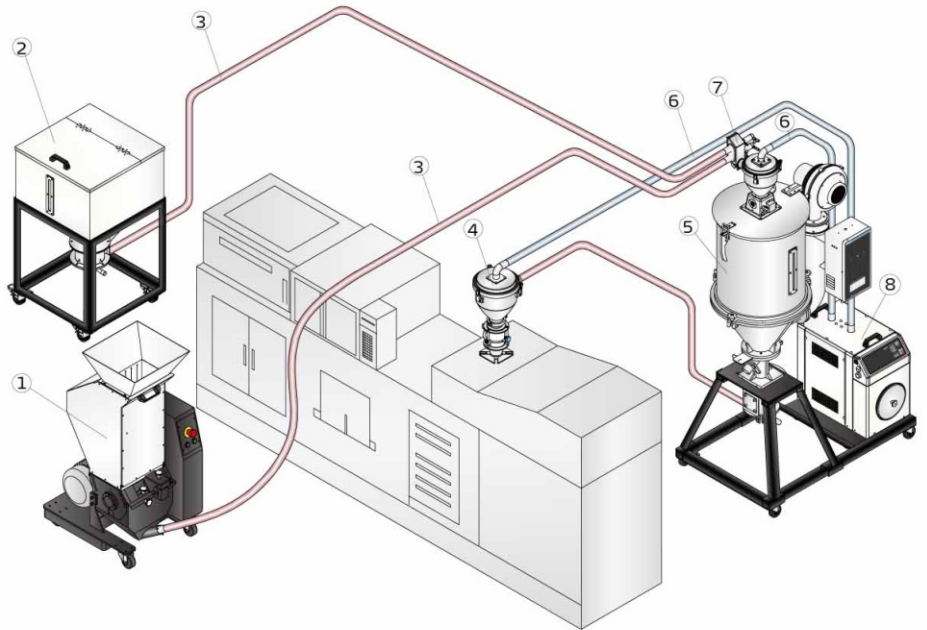


Drying: air blown out of drying blower becomes high temperature drying air after being heated. Through screen separator and shade separator, hot air can be equably dispersed in material storage tank. Hot air recycler can be equipped to filter and recycle the air from the outlet and form a closed loop circle.

Conveying: firstly vacuum will be formed inside the hopper by the suction of high-pressure blower which produces differential pressures between hopper inside and outside. Under the force of differential pressures and continuous suction, material and air mixture will be sucked into hopper. Due to blocking of internal filter, material will be accumulated in the hopper while air is sent out through air outlet by blower. Use SAL-700G/ 800G for a single conveying system, use SAL-900G for two-stage conveying system. Return circuit of material suction is controlled by the three way valve inside hopper loader.

Application

1. Low-speed granulator
2. Material tank
3. Material pipe
4. Photosensor hopper SVH
5. Hopper dryer
6. Vacuum pipe
7. Proportional valve
8. Auto loader



SDL-xxx-900G Application (Two-stage Conveying)

Outline Drawings



To work with



SVH



SMH

SDL Series

Specifications

Model	SDL-25	SDL-50	SDL-75	SDL-100	SDL-150	SDL-200	SDL-300	SDL-400	
Applicable Dryer	SHD-25SL	SHD-50SL	SHD-75SL	SHD-100SL	SHD-150SL	SHD-200SL	SHD-300SL	SHD-400SL	
Applicable Loader	SAL-700G or 800G					SAL-800G		SAL-800G2	
	SAL-900G					SAL-900G		SAL-900G2	
Applicable Hopper Receive	1 × SVH-6L							1 × SVH-12L	
	1 × SVH-6L 1 × SMH-6L							1 × SVH-12L 1 × SMH-12L	
Converting Capacity	kg/hr		300					400	
	lb/hr		661					882	
	kg/hr		450					700	
	lb/hr		992					1,543	
Hopper Capacity	L		6					12	
	gal		1.59					3.2	
	L		2 × 6					2 × 12	
	gal		2 × 1.59					2 × 3.2	
Dimension H×W×D	mm	1620×1000 ×640	1750×1000 ×640	1850×1000 ×640	1950×1080 ×710	2200×1080 ×710	2385×1140 ×840	2690×1140 ×840	2800×1240 ×1020
	Inch	63.8×39.4 ×25	68.9×39.4 ×25	72.8×39.4 ×25	76.8×42.5 ×28	2200×42.5 ×28	93.9×44.9 ×33	105.9×44.9 ×33	110.2×48.8 ×40
Weight	kg	95	110	115	155	160	210	220	285
	lb	209	243	254	342	353	463	485	628

Notes: 1) Power: 3Φ, 230/400/460/575VAC, 50/60Hz.

We reserve the right to change specifications without prior notice.

Shini Group

Addr: No. 23, Minhe St., Shulin Dist.,
New Taipei, Taiwan

Tel: +886 2 2680 9119

Fax: +886 2 2680 9229

Email: shini@shini.com

Factories:

- Taiwan
- Dongguan
- Pinghu
- Ningbo
- Chongqing
- Pune

2016-12-15-04 Copyrights Reserved.

www.shini.com