

Material storage tank & Suction box

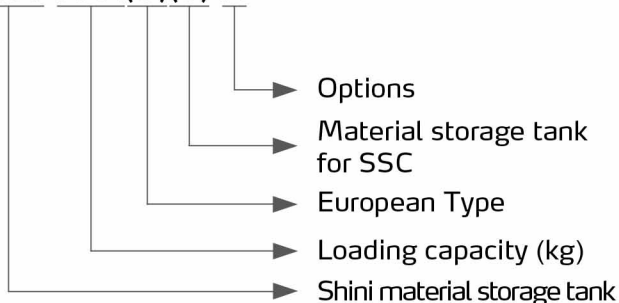


Refer carefully to this manual before operation.

MST&SBU Series

■ Coding Principle

MST-XXX(U)(S)-X



MST-U

■ Features

- Made up of SUS201, durable service.
- Equipped with Euro-material suction box(single pipe), convenient for material conveying.
- Standard material storage tank is square shaped; Euro-material suction box is round shaped.
- The top cap of MST-50 is connected with the tank on one side, open it to add material. The top cap of MST-100~500 consists of two parts(half fixed and half can be opened), convenient for adding material.
- MST-S, Only Applies to SSC.



MST-S

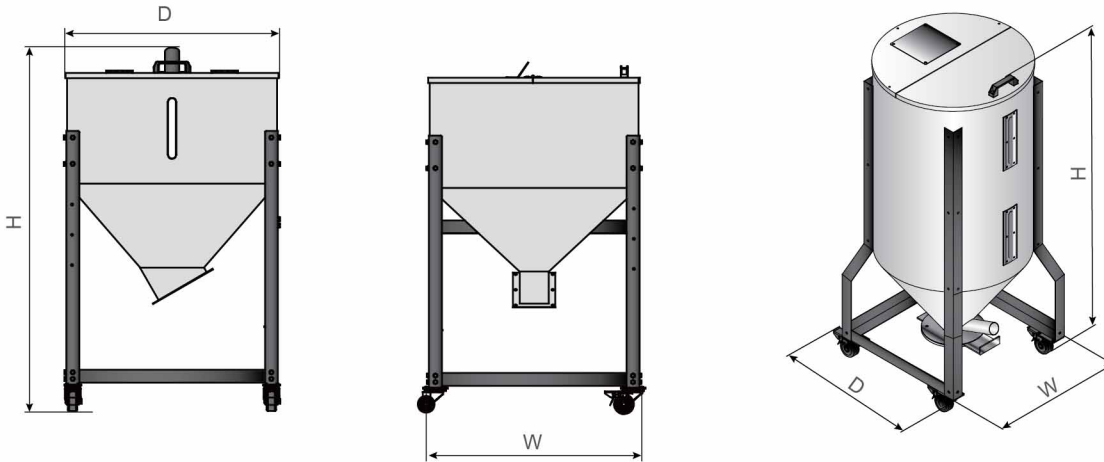
■ Application

Mainly used for raw material storage, placed beside material room or IMM; Works with granulator to convey regrind material, ensuring instant reuse of recycled material.

■ Options

- For Euro-material storage tank, SUS304 is optional for surface contacting with raw material.
- For Euro-material storage tank, if surface contacting with raw material is polished, add "P" behind the model.

Outline Drawings



Specifications

Model	Capacity (kg)*	Dimensions (mm) (H × W × D)	Weight (kg)
MST-25	25	800 × 369 × 468	24
MST-50	50	885 × 519 × 543	30
MST-75	75	1040 × 519 × 543	40
MST-100	100	1104 × 625 × 621	48
MST-150	150	1179 × 725 × 721	55
MST-200	200	1179 × 825 × 821	62
MST-300	300	1424 × 947 × 943	75
MST-500	500	1569 × 1247 × 1243	105

Model	Capacity (kg)*	Dimensions (mm) (H × W × D)	Weight (kg)
MST-100S	100	1287×621×625	52
MST-200S	200	1387×821×825	66
MST-300S	300	1637×943×947	80
MST-500S	500	1726×1243×1247	110

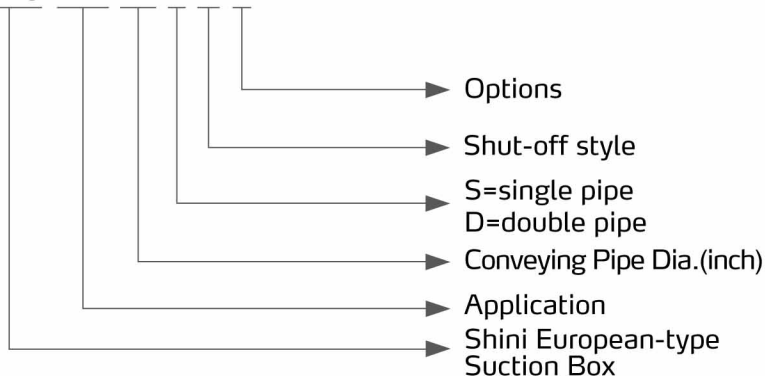
Model	Capacity (kg)*	Dimensions (mm) (H × W × D)	Weight (kg)
MST-80U	80	1270×475×555	37
MST-160U	160	1565×550×610	57
MST-300U	300	1750×650×705	72
MST-450U	450	2200×650×715	91
MST-750U	750	2365×800×880	118

Notes: 1) "*" stands for above loading capacity is based on pellet material of 0.65kg/L (5.5lb/gal) in bulk density and 3~5mm(0.1~0.2inch) in diameter.
2) Special models can be customized.

MST&SBU Series

■ Coding Principle

SBU-xxx-xx-x-V-x



■ Features

- Special internal structure ensures smooth material conveying
- Standard suction box with air-feeding hole, easy to use; shut-off suction box equipped with air feeding pipe to form closed conveying cycle.
- Integrated aluminum appearance.

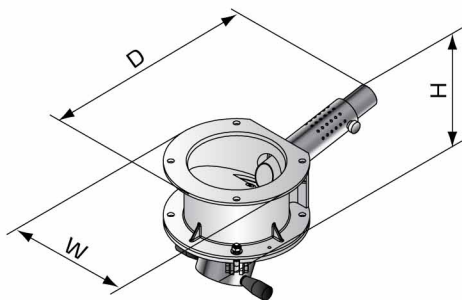
■ Application

Installed at the bottom of material storage tank, drying tank or other storage devices, suction box works with vacuum feeding system to convey raw material. Standard suction box is applicable for short distance conveying, while the shut-off suction box, which is equipped with material shutting off function, can prevent material remaining in pipe, moisture regain and pipe blockage during long distance conveying.

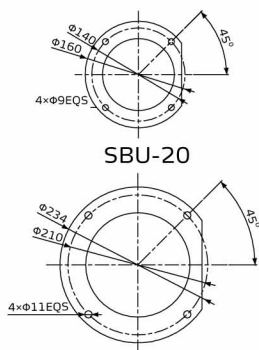
■ Options

- Stainless steel is optional, add "S" at the end of the model code.
- If selecting stainless steel, parts contacting with raw material can be polished, add "P" at the end of model code.

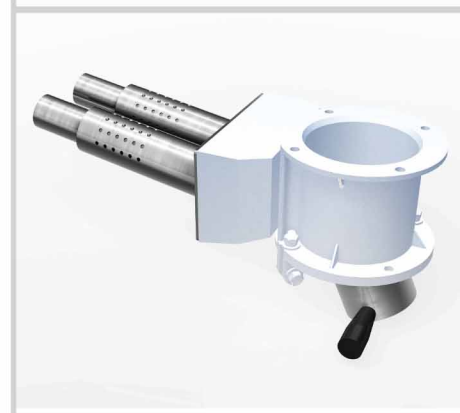
■ Outline Drawings



Model	H×W×D (mm)
SBU-20-38S	210×180×390
SBU-20-50S	210×180×390
SBU-160-38S	235×235×435
SBU-160-50S	235×235×450



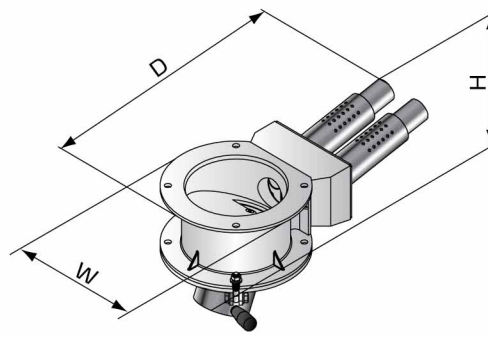
SBU-160



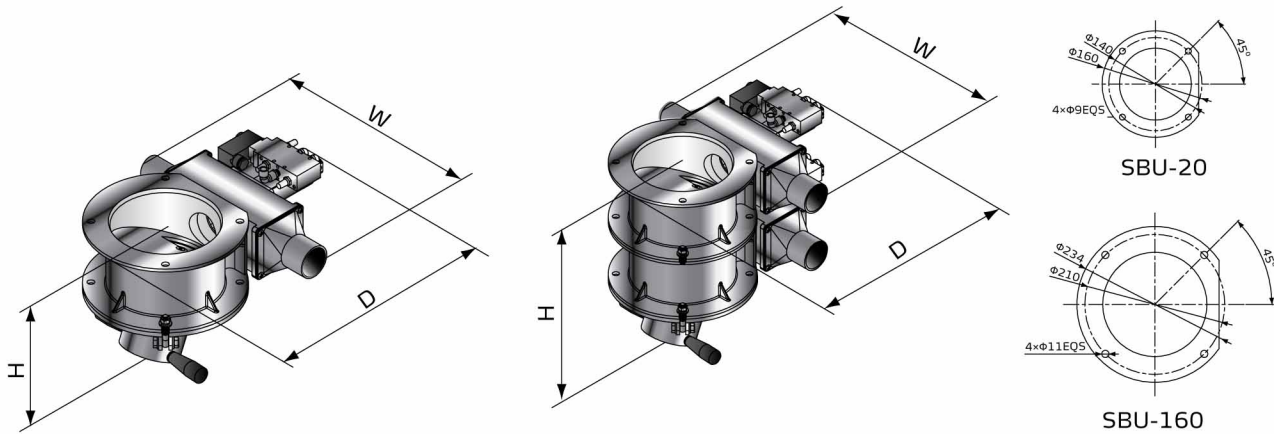
European-type Suction Box



Shut-off Suction Box



Model	H×W×D (mm)
SBU-20-38D	200×180×414
SBU-20-50D	200×180×414
SBU-160-38D	230×235×485
SBU-160-50D	230×235×480



Model	H×W×D (mm)
SBU-20-38S-V	200×330×370
SBU-20-50S-V	200×330×370
SBU-160-38S-V	230×330×440
SBU-160-50S-V	230×330×440

Model	H×W×D (mm)
SBU-20-38D-V	315×330×370
SBU-20-50D-V	315×330×370
SBU-160-38D-V	347×330×440
SBU-160-50D-V	347×330×440

Specifications

Applied to SHD-SL

Model	Applied to	SHD-12SL~75SL	SHD-100SL above
SBU		-20-38S	-160-38S
SBU		-20-50S	-160-50S
SBU		-20-38D	-160-38D
SBU		-20-50D	-160-50D

Applied to SHD-U

Model	Applied to	SHD-20U-120U	SHD-160U and above
SBU		-20-38S	-160-38S
SBU		-20-50S	-160-50S
SBU		-20-38D	-160-38D
SBU		-20-50D	-160-50D

Applied to SCD

Model	Applied to	SCD-20U/40H ~120U/80H	SCD-160U/80H and above
SBU		-20-38S	-160-38S
SBU		-20-50S	-160-50S
SBU		-20-38D	-160-38D
SBU		-20-50D	-160-50D

Applied to SDD

Model	Applied to	SDD-120U/80H and below	SDD-160U/80H above
SBU		-20-38S	-160-38S
SBU		-20-50S	-160-50S
SBU		-20-38D	-160-38D
SBU		-20-50D	-160-50D

Applied to MST

Model	Applied to	MST-50~MST100	MST-200~MST-500
SBU		-20-38S	-160-38S
SBU		-20-50S	-160-50S
SBU		-20-38D	-160-38D
SBU		-20-50D	-160-50D

Shini Group

Addr: No. 23, Minhe St., Shulin Dist.,
New Taipei, Taiwan

Tel: +886 2 2680 9119

Fax: +886 2 2680 9229

Email: shini@shini.com

Factories:

- Taiwan
- Dongguan
- Pinghu
- Ningbo
- Chongqing
- Pune

2019-03-15-04 Copyrights Reserved.

www.shini.com