

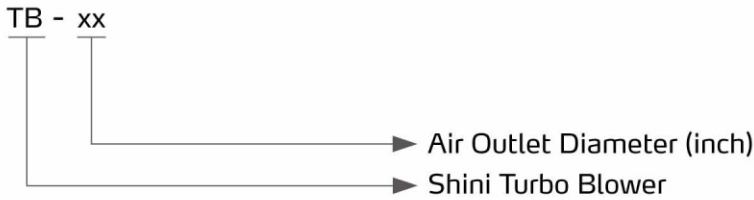
Turbo Blower

TB-30



Refer carefully to this manual before operation.

■ Coding Principle



■ Features

- Adopts aluminum alloy castings, attractive appearance, easy access to installation and operation.
- Motor is separate from blower, heat-resistance up to 120°C.
- Small lightweight, low noise level running, air inlet flow is adjustable.
- Applicable for 50/60Hz wide voltage range motor.

■ Application

- Drying Machines ● Machinery for Cooling ● Woodworking Machines ● Hot Air Blowers ● Printing Machines
- General Air Suction ● Dust Collectors ● Machinery for the Food and Beverage Industries
- Plastic Extruders, Laminating, Film Making Machines ● Thermostated Container ● Incinerators ● Grain Conveying

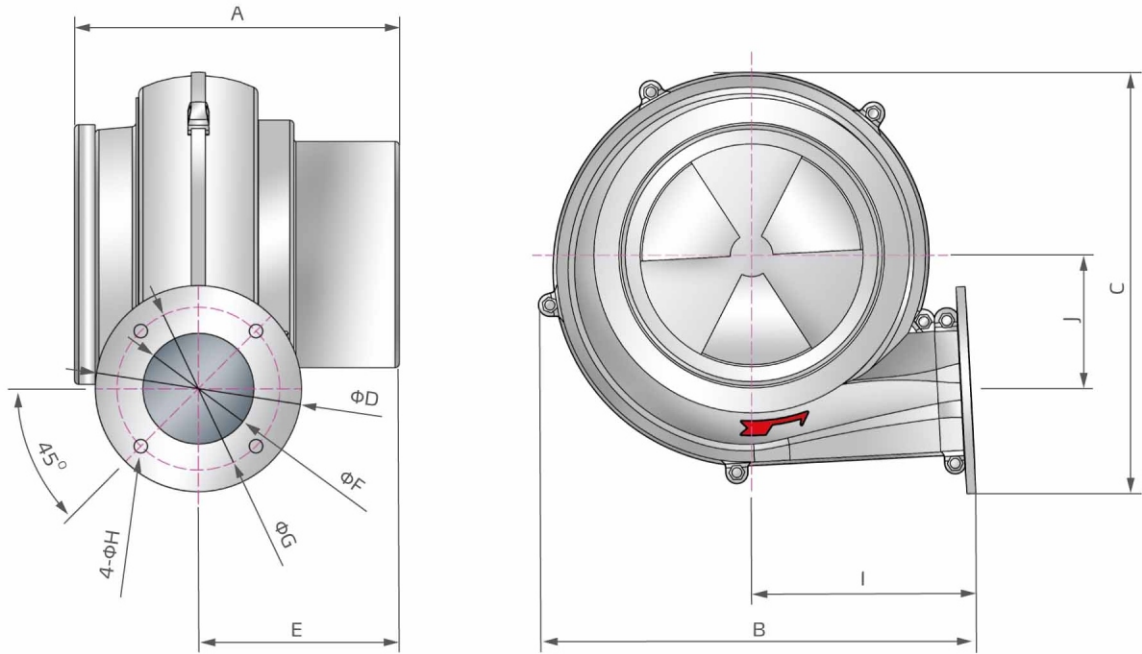
■ Performance Table

Model	Frequency (Hz)	Phase	Voltage (VAC)	Current (A)	Input Power (W)	Pressure (Pa)	Flow(m ³ /hr)	Noise(dB)	Weight(kg)
TB-15	50/60	1Φ	220/240	0.27/0.28	50	340/490	72/96	61	3.5
		3Φ	220/240	0.31/0.25	50	350/490	72/90		
			380/415	0.19/0.15	50	330/460	72/90		
TB-25	50/60	1Φ	220/240	0.78/0.76	120	470/650	216/288	67	5.8
		3Φ	220/240	0.48/0.34	120	460/620	210/276		
			380/415	0.33/0.27	120	470/640	216/282		
			440/460	0.48/0.31	120	470/650	216/282		
TB-30	50/60	1Φ	220/240	0.78/0.76	120	700/940	300/420	68	6.2
		3Φ	220/240	0.48/0.34	120	690/930	294/414		
			380/415	0.33/0.27	120	650/880	294/390		
			440/460	0.45/0.33	120	670/920	318/402		
TB-40	50/60	3Φ	220/240	0.55/0.4	180	740/960	378/420	74	8.4
			380/415	0.48/0.32	180	730/980	372/408		
			440/460	0.62/0.42	180	730/1000	384/438		
TB-50	50/60	3Φ	220/240	0.88/0.61	250	1030/1420	462/540	79	12.3
			380/415	0.58/0.4	250	1010/1410	510/606		
			440/460	0.85/0.54	250	1040/1430	528/624		

We reserve the right to change specifications without prior notice.

TB Series

Outline Drawings



Installation Dimension

Model	A	B	C	D	E	F	G	H	I	J
TB-15	180	200	220	128	120	38.1	110	9.5	100	70
TB-25	248	250	275	140	168	63.5	110	9.5	160	90
TB-30	255	310	300	145	175	76.2	125	9.5	150	100
TB-40	296	344	320	149	190	101.6	132	9.5	190	125
TB-50	320	420	400	197.5	210	127	164	9.5	240	120

We reserve the right to change specifications without prior notice.

Shini Group

Addr: No. 23, Minhe St., Shulin Dist.,
New Taipei, Taiwan

Tel: +886 2 2680 9119

Fax: +886 2 2680 9229

Email: shini@shini.com

Factories:

- Taiwan
- Dongguan
- Pinghu
- Ningbo
- Mumbai

2013-06-15-04 Copyrights Reserved.

www.shini.com