



## "Standard" Separate-vacuum Hopper Loader

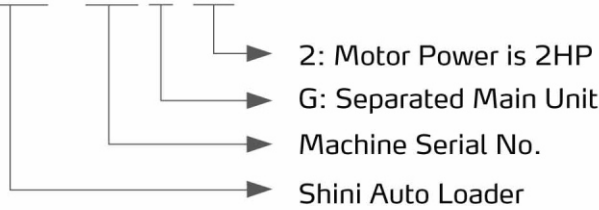
SAL-810G&SMH-6L



Refer carefully to this manual before operation.

## ■ Coding Principle

SAL - xxx G (2)



SAL-810G & SVH-6L

## ■ Features

- Microprocessor for ease of use and has multiple alarm indicators.
- Motor overload protector ensures long service life of motor.
- Audible material shortage alarm.
- Filter designed for easy cleaning and has filter status checking window for easier monitor of filter condition.
- SAL-700G/810G/820G/830G is equipped with RS485 communication interface.

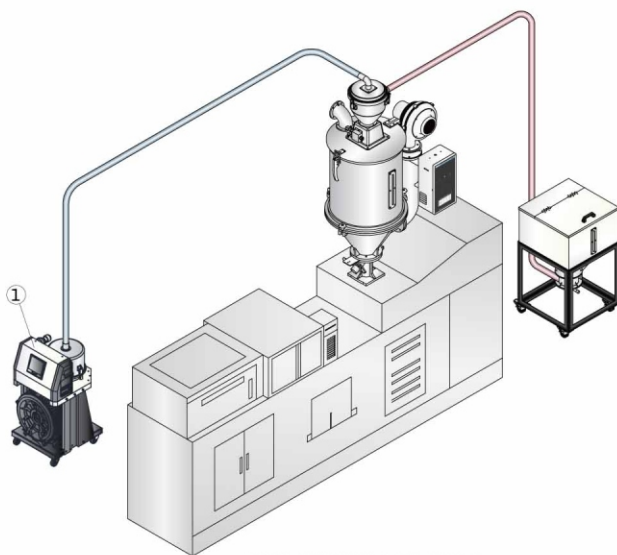


Control Panel  
SAL-700g/810G

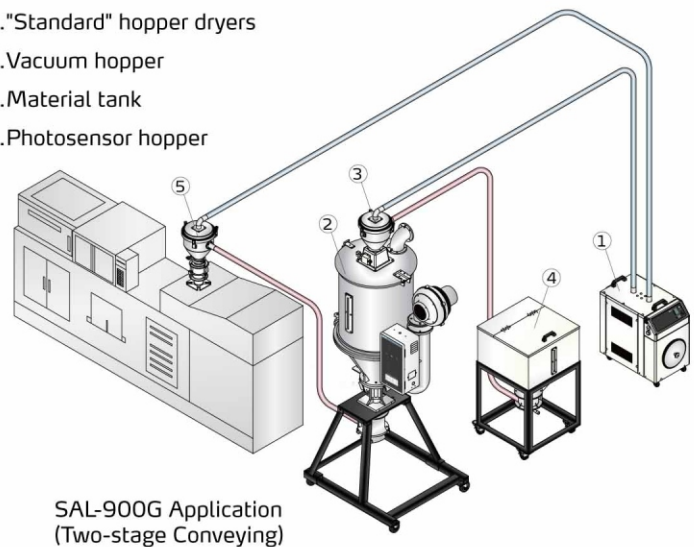


Control Panel  
SAL-900G

## ■ Application

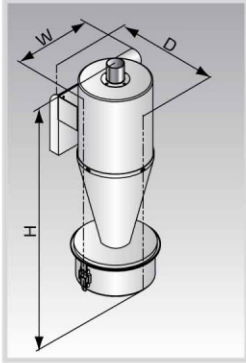


1. Vacuum loader
2. "Standard" hopper dryers
3. Vacuum hopper
4. Material tank
5. Photosensor hopper



## Options

### ACF

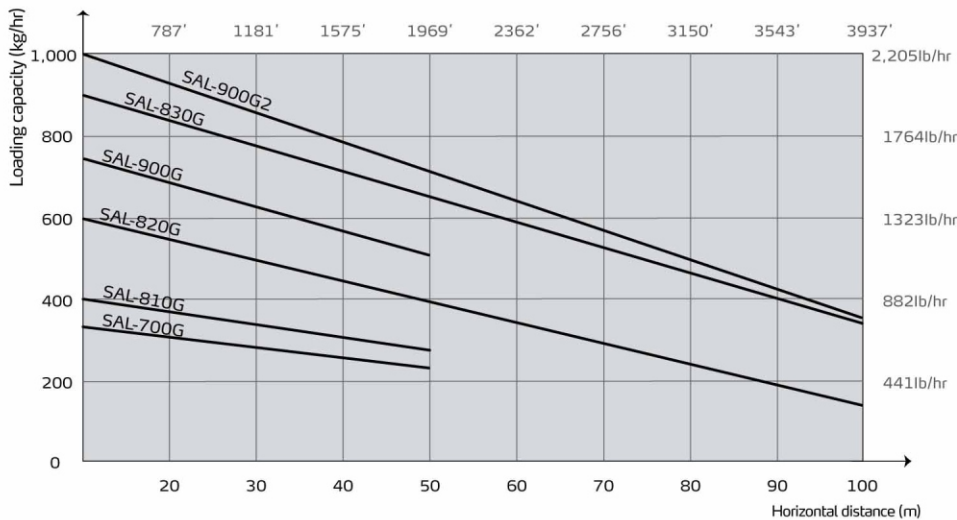


It is suggested to opt cyclone dust collector to reduce cleaning times of filter when regrind material occupies over 30% of total raw material.

Model	Capacity (H×W×D)		Pipe diameter (inch)
ACF-1	mm	550×220×235	1.5
	inch	21.7×8.7×9.3	
ACF-2	mm	550×220×235	2.0
	inch	21.7×8.7×9.3	

- For SHR, SCH-6U/12U/24U and SICH-6U/12U/24U are optional (Temperature reduction is below 30°C within 30min).
- Proportional valve SPV-U (control cabinet is optional) is available, which is adopted to mix virgin and regrind materials, as well as instantly recycle regrind material.
- For polished hopper inside ones, add "P" at the end of model code.

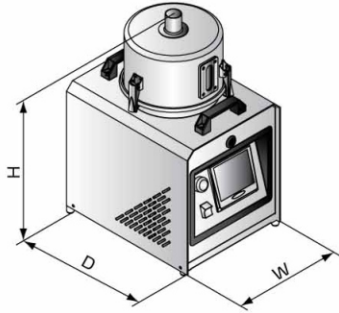
## Loading Capacity



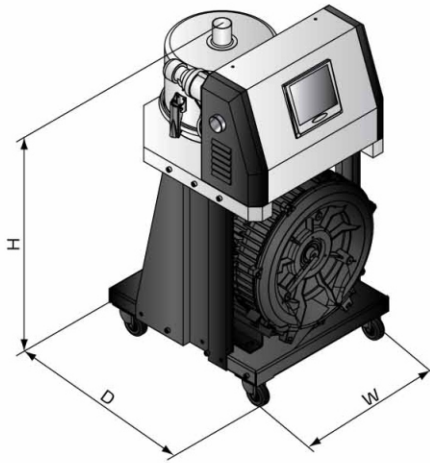
Height: 4m/13.1'  
Bulk density: 0.65 kg/L(5.5lb/gal)  
Frequency: 60Hz

# SAL-G Series

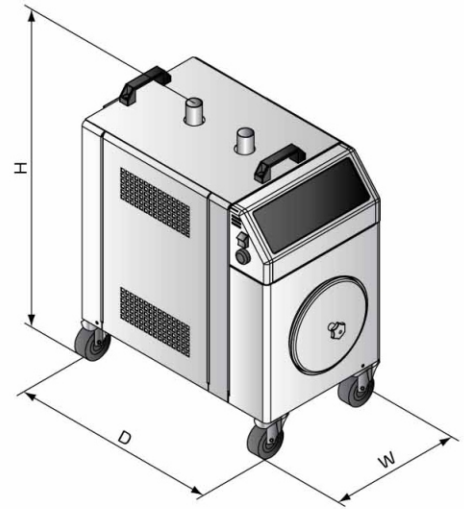
## Outline Drawings



SAL-700G (Main Unit)



SAL-810G/820G/830G (Main Unit)



SAL-900G/900G2 (Main Unit)

## Specifications

Model	Main Unit						Hopper Receiver				Conveying Pipe Dia (inch)	Air Suction Pipe Dia. (inch)	Conveying Capacity (50Hz)		
	Motor Type	Motor Power (kW, 50/60Hz)	Dimension H×W×D		Weight		Applied Model	Hopper Capacity		Weight			kg/hr	lb/hr	
			mm	inch	kg	lb		L	gal	kg					lb
SAL-700G	Carbon brush	1.2(1Φ)	595×300×410	23.2×11.8×16	18	40	SMH-6L	6	1.6	6	13	1.5	1.5	300	661
							SVH-6L			7	15				
SAL-810G	Inductive	0.75(3Φ)	740×400×410	29.1×15.7×16.1	58	128	SMH-6L	6	1.6	6	13	1.5	1.5	300	661
							SVH-6L			7	15				
							SHR-6U			6	13				
SAL-820G	Inductive	1.5(3Φ)	740×400×410	29.1×15.7×16.1	65	143	SMH-12L	12	3.2	7	15	1.5	1.5	500	1102
							SVH-12L			11	24				
							SHR-12U			7	15				
SAL-830G	Inductive	1.85(3Φ)	785×400×410	30.9×14.6×15.9	68	150	SMH-24L	24	6.4	9	20	2	2	700	1543
							SVH-24L			13	29				
							SHR-24U			9	20				
SAL-900G	Inductive	0.75(3Φ)	670×390×740	26.4×15.4×29.1	50	110	1×SMH-6L 1×SVH-6L	6	1.6	6	13	1.5	1.5	500	1102
							2×SMH-6L			11	24				
							2×SVH-6L			7	15				
SAL-900G2	Inductive	1.5(3Φ)	670×390×740	26.4×15.4×29.1	57	126	1×SMH-12L 1×SVH-12L	12	3.2	7	15	1.5	1.5	700	1543
							2×SMH-12L			7	15				
							2×SVH-12L			11	24				

Notes: 1) "SVH" stands for photosensor hopper receiver; "SMH" stands for vacuum hopper receiver.

"SHR-U" stands for Euro-hopper receiver.

2) Test condition of conveying capacity: Plastic material of bulk density 0.65kg/L(5.5lb/gal), dia. 3~5mm/0.12~0.2 inch, vertical conveying height: 4m/13.1Feet, horizontal conveying distance: 5m/16.4Feet.

3) All SAL-810G/820G/830G hoppers adopt the 4P heavy-duty connector, and all SAL-700G/900G/900G2 hoppers adopt the 3P metal connector.

4) Power supply: 3Φ, 230/400/460/575V, 50/60Hz for all models except SAL-700G (1Φ, 115/230V, 50/60Hz).

## Shini Group

Addr: No. 23, Minhe St., Shulin Dist.,  
New Taipei, Taiwan

Tel: +886 2 2680 9119

Fax: +886 2 2680 9229

Email: [shini@shini.com](mailto:shini@shini.com)

### Factories:

- Taiwan
- Dongguan
- Pinghu
- Ningbo
- Chongqing
- Pune

2017-02-15-04 Copyrights Reserved.

[www.shini.com](http://www.shini.com)