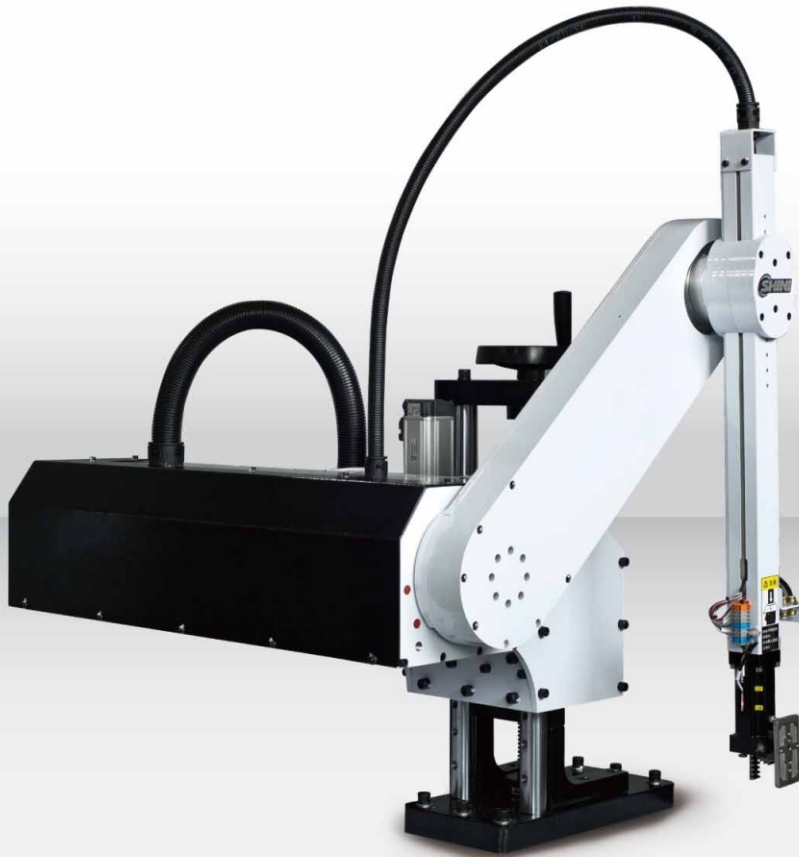


NEW!

SHINI

SS2-700



Two Axes Servo Driven Swing-arm Robot

■ Features

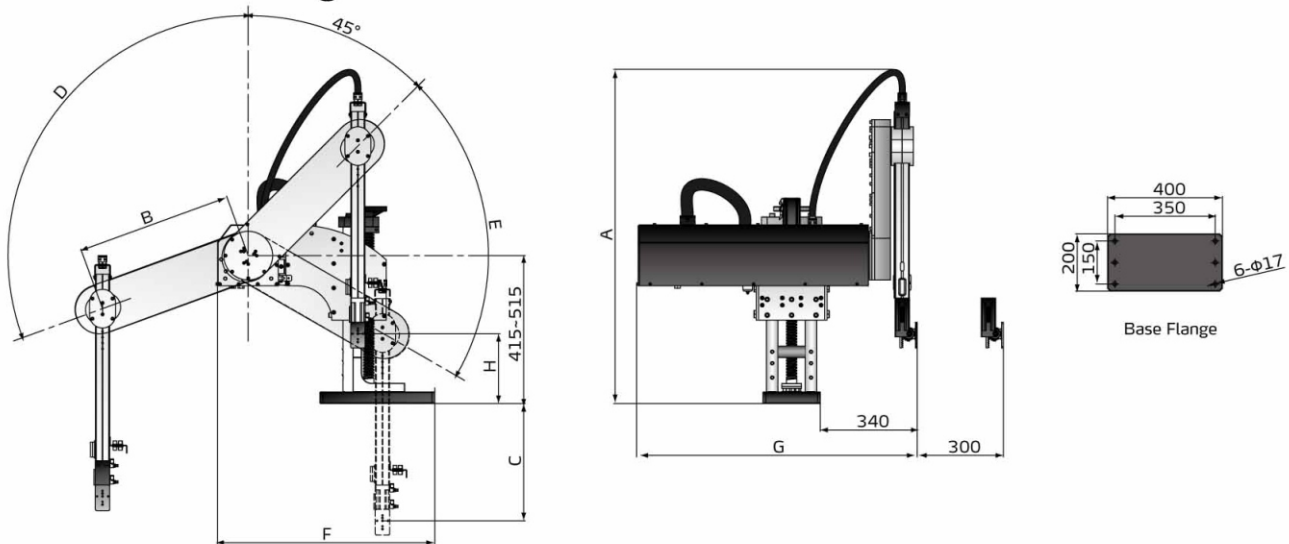
- The main axes are servo driven which runs in a curved motion with high precision and fast response.
- Suitable for short cycle time, medium and high speed injection molding machine.
- Low energy consumption, high performance.
- Stacking system, conveyor and safety guarding are optional.

■ Applications

SS2 Series Robot (Shini two axes servo driven swing-arm robot) is designed for rapid and precise removal of product from injection molding machine. It is suitable for 2-plate mold or hot runner system. Can be used with stacking system and belt conveyor. Suitable for injection molding machine that is under 300T clamp force.



Outline Drawings



Specifications

Model	SS2-700	SS2-S-700	SS2-900	SS2-S-900
IMM (Ton)	50~200	50~200	200~300	200~300
Main Arm	Traverse Stroke (mm)	300	300	300
	Vertical Stroke (mm)	700	700	900
Stacking	Vertical Stroke (mm)	/	700	/
	Gripper Angle (deg)	/	90	/
Conveyor	Width of Belt (mm)	/	400	/
	Length of Conveyor (mm)	/	2000	/
Max Load (with tool) (kg)	1.5	1.5	1.5	1.5
Min Pick-out Time (sec)	0.8	0.8	1	1
Min Cycle Time (sec)	4	4	5	5
Air Pressure (bar)	4~6	4~6	4~6	4~6
Max Air Consumption (NL/cycle) *	4	4	4	4
Weight (kg)	150	150	155	155
Dimensions (mm)	A	1350	1350	1470
	B	550	550	670
	C (max)	510	510	725
	D (max)	135°	135°	135°
	E (max)	90°	90°	90°
	F (max)	760	760	760
	G (min)	980	980	980
	H (min)	240	240	205

- Notes: 1) "EM12" stands for EUROMAP 12 communication interface.
 "EM67" stands for EUROMAP 67 communication interface.
 2) Power supply requirement: 1Φ,200~240V, 50/60Hz.
 3) " * " Max air consumption for vacuum device 60NL/min.

Shini Group

Addr.: No. 23, Minhe St., Shulin Dist., New Taipei, Taiwan

Tel: +886 2 2680 9119

Fax: +886 2 2680 9229

Email: shini@shini.com