



"Budget" Series SG-EB

SG-2130EB

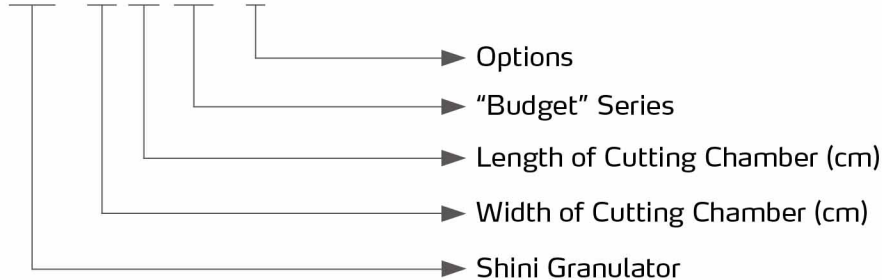


Refer carefully to this manual before operation.

SG-EB Series

■ Coding Principle

SG - xx xx EB - x



Staggered Cutter

■ Features

- Staggered blades design can decentralize working load when granulating to increase cutting efficiency. (SG-60110EB adopts paddle-blade structure.)
- Cutters adjustment are available. Shaping after blunt ensures longer life service.
- Adopt adjustable bearing with base, mounted outside of cutting chamber's side plate of bearing for convenient installation and maintenance.
- Optimal design can effectively reduce vibration during operation of granulator.
- Equipped with motor overload relay and multiple safety devices to ensure machine safe operation.
- SG-3260EB and the models below are equipped with castor wheels. They have small footprint and are easy to move.



SG-4880EB

■ Application

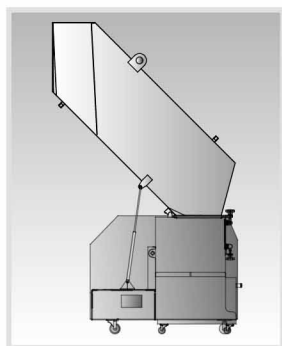
The granulators are applicable to granulate various kinds of plastic materials from injection molding, blow molding or wasted materials. To avoid plastic from sticking to the blades, all materials should be crushed at normal temperature.

■ Options



Special Screen

Φ6, Φ10, Φ12 and Φ16 are special diameters of screen, being able to meet different production demands. Φ10, Φ14 and Φ16 are optional for SG-4880&SG-60110EB, add "SS + screen diameter" at the end of the model code, e.g.: Φ8mm, add "SS08".

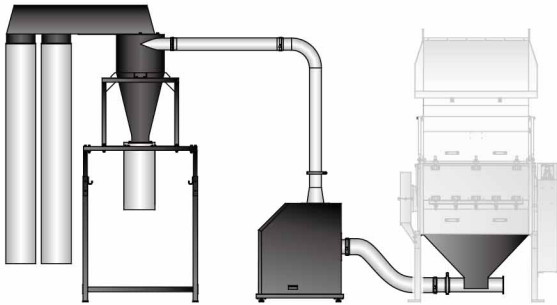


Direct feed box

As to meet customer's demands on cutting strip thin-wall scraps (e.g. thin-walled strip automobile products), the direct feed box is optional for SG-3260EB and SG-3260EB, add "DF" at the end of the model code.

- For Fiber Reinforced materials, full fiber reinforced model is optional. Adopt surface-hardening treatment on the material contacting components blade material is V-4E joint with S50C, add "F" at the end of the model code.
- Feed port and storage tank are made of stainless steel, add "R" at the end of the model code.

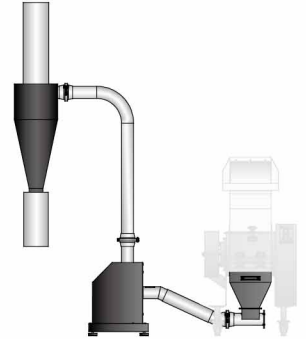
- The blower stands outside the machine. Without restriction of the inner space of the machine, customer can choose different kinds of blowers. Add "SC" at the end of the model code.



SG-60110EB

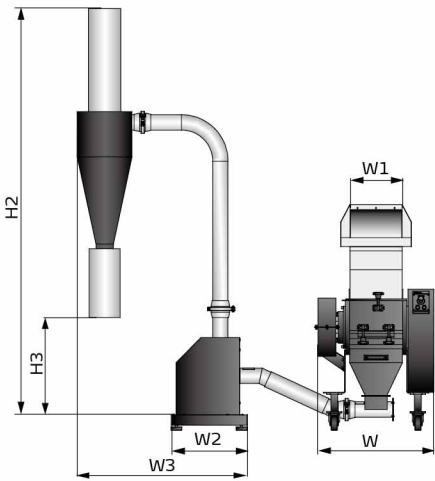


SG-4880EB

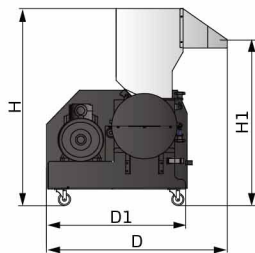


SG-3260EB and below

Outline Drawings



Separated blower is optional

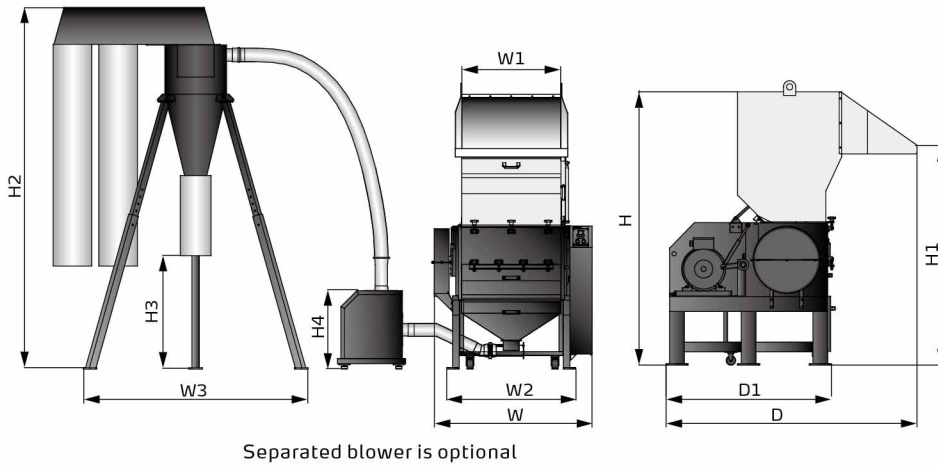


SG-2130EB/2540EB/2950EB/3260EB

Model	SG-2130EB	SG-2540EB	SG-2950EB	SG-3260EB
H(mm)	1200	1385	1450	1600
H1(mm)	1010	1160	1175	1295
H2(mm)	2460	2460	2460	2460
H3(mm)	660	660	660	660
H4(mm)	540	540	540	540
W(mm)	680	775	885	1010
W1(mm)	300	400	500	600
W2(mm)	440	440	440	440
W3(mm)	990	990	990	990
D(mm)	1105	1330	1430	1515
D1(mm)	860	970	1020	1070

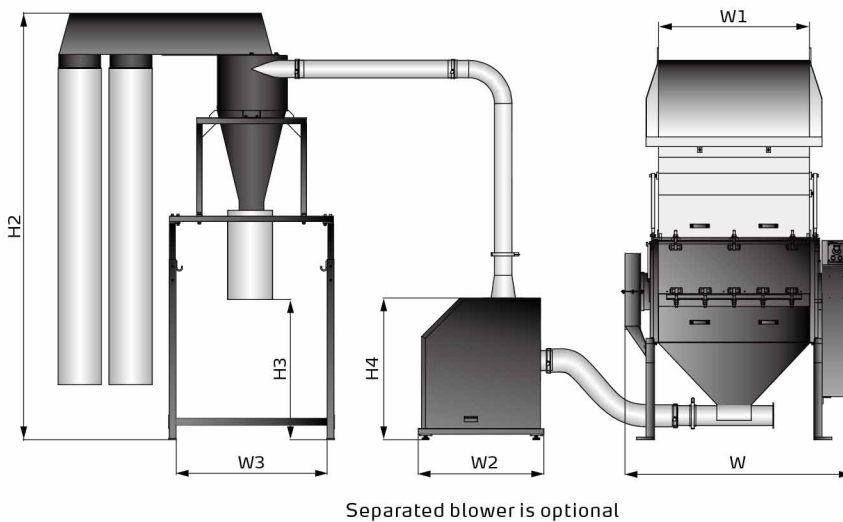
SG-EB Series

Outline Drawings



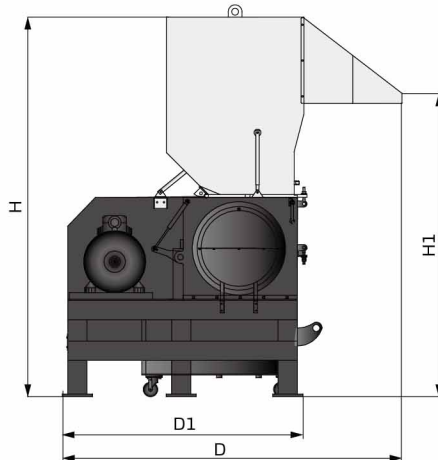
SG-4880EB

Model	SG-4880EB
H(mm)	2235
H1(mm)	1795
H2(mm)	2800-3255
H3(mm)	595-1050
H4(mm)	640
W(mm)	1285
W1(mm)	810
W2(mm)	555
W3(mm)	1950-2250
D(mm)	2050
D1(mm)	1350



SG-60110EB

Model	SG-60110EB
H(mm)	2760
H1(mm)	2200
H2(mm)	3100
H3(mm)	1020
H4(mm)	1030
W(mm)	1670
W1(mm)	1100
W2(mm)	915
W3(mm)	1095
D(mm)	2475
D1(mm)	1750



■ Specifications

Model	SG-2130EB	SG-2540EB	SG-2950EB	SG-3260EB	SG-4880EB	SG-60110EB
Motor Power	5.5	7.5	11	15	22	37
Feeding blower	○(0.55)	○(0.55)	○(0.55)	○(0.55)	○(2.2)	○(7.5)
Rotating Speed (rpm, 50/60Hz)	540/620	540/620	540/620	450/515	525/605	525/605
Material of Blades	Cr12Mo1V1	Cr12Mo1V1	Cr12Mo1V1	Cr12Mo1V1	Cr12Mo1V1	Cr12Mo1V1
Blade Type	Staggered	Staggered	Staggered	Staggered	Staggered	Paddle
Quantity of Fixed Blades	2 × 1	2 × 1	2 × 1	2 × 2	2 × 2	2 × 2
Quantity of Rotating Blades	3 × 3	3 × 4	3 × 5	3 × 6	3 × 8	3 × 2
Cutting Chamber	210 × 300	250 × 400	290 × 500	320 × 600	480 × 800	600 × 1100
Max. Output	150~200	200~250	250~300	300~350	450~600	700~1000
Noise Level dB(A)	105~110	105~110	105~110	105~110	105~110	110~115
Screen Dia.	●(Φ8)	●(Φ8)	●(Φ8)	●(Φ8)	●(Φ12)	●(Φ12)
Flywheel	●	●	●	●	●	●
Weight (kg)	400	470	550	720	1600	2000

Notes: 1) " √ " stands for standard.

2) Cr12Mo1V1 is corresponding to SKD11 under Japanese JIS standard .

3) Max. capacity of the machine is subject to diameter of screen mesh and composition of material.

4) Noise level varies with different materials and motor types.

5) Power supply : 3Φ, 230/400/460/575VAC, 50/60Hz.

We reserve the right to change specifications without prior notice.

Shini Group

Addr: No. 23, Minhe St., Shulin Dist.,
New Taipei, Taiwan

Tel: +886 2 2680 9119

Fax: +886 2 2680 9229

Email: shini@shini.com

Factories:

- Taiwan
- Dongguan
- Pinghu
- Ningbo
- Chongqing
- Pune