



## "Standard" Self-contained Hopper Loader SAL

SAL-360

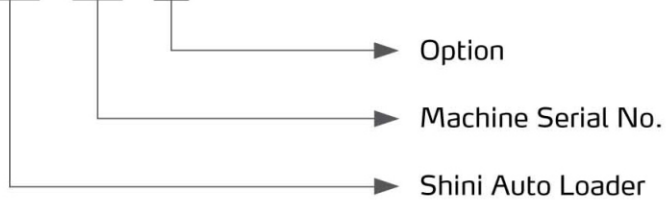


Refer carefully to this manual before operation.

# SAL Series

## ■ Coding Principle

SAL - xxx - xx



## ■ Features

- Stainless steel hopper, motor overload protective device.
- All the machines are equipped with hinged hopper lid except SAL-430 and SAL-460.
- All the machines are equipped with auto reverse cleaning kit and cloth mesh filter except SAL-430 and SAL-460.
- SAL-430/460 has standard cloth mesh filter and motor reverse cleaning function.



SAL-460



Control Panel

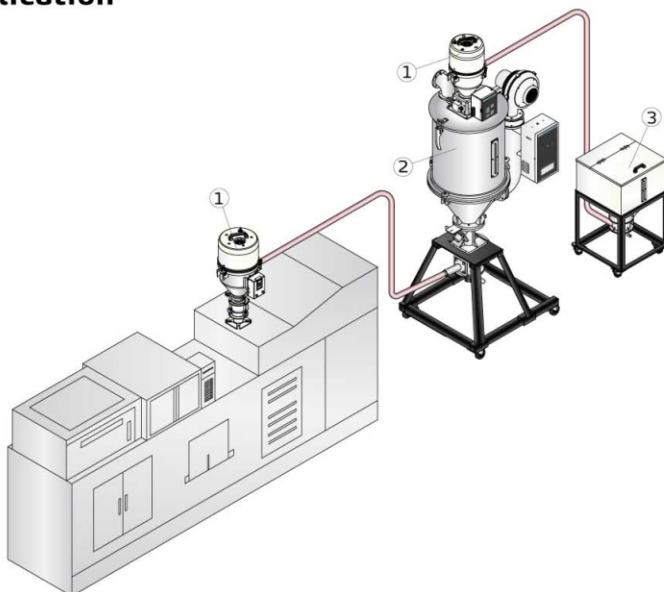


Reverse Cleaning Kit  
(SAL-330/360)



Cloth Filter

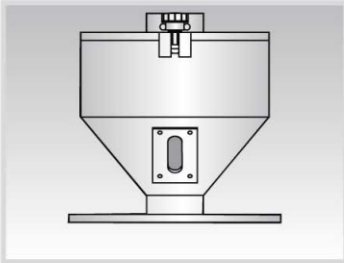
## ■ Application



1. Auto loader
2. "Standard" hopper dryer
3. Material tank

## Options

### SCH-6L



For temporary storage of material, SCH-6L storage hopper is available for SAL-330/360.

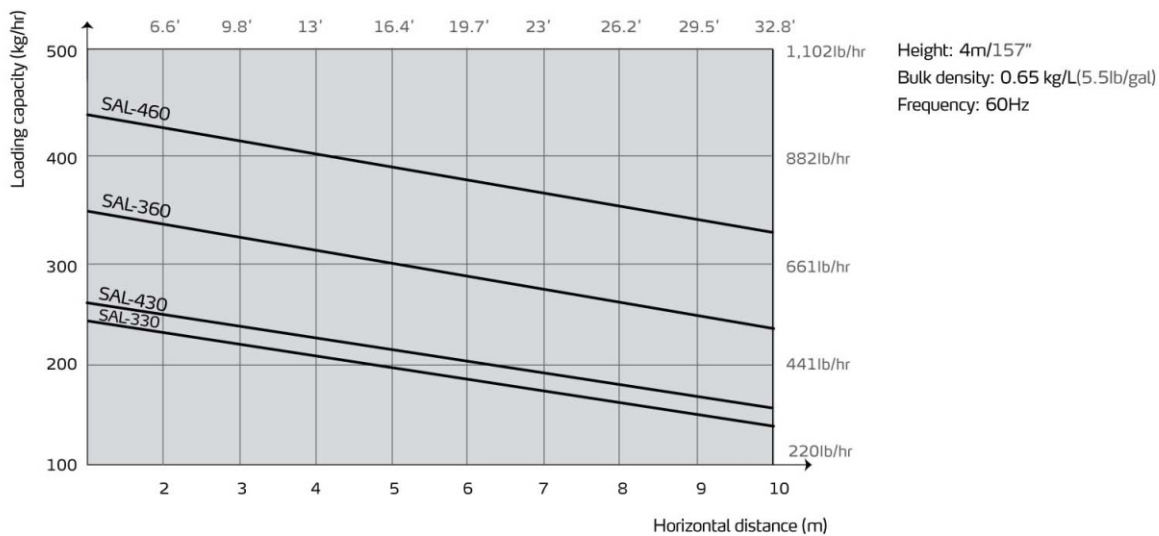
### SPV-U



SPV-U is an option for all models (Including control cabinet).

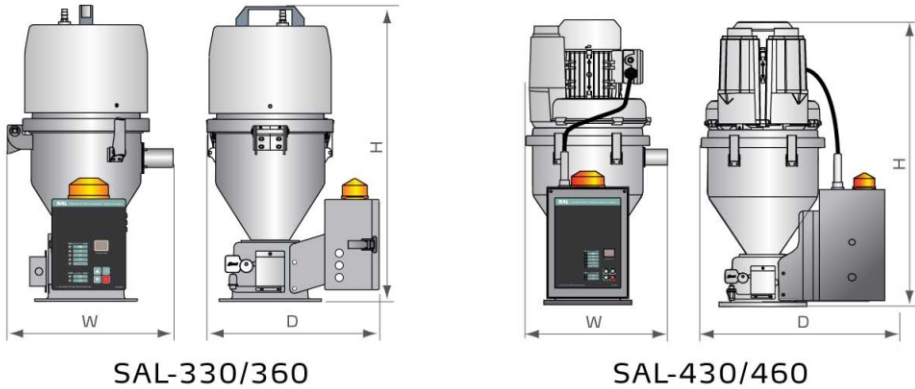
- Buzzer is optional .Add "B"at the model behind.
- Manual control switch is optional to deal with conditions that power supply is hard to manage when machine is installed at higher places. Add "RS"at the model behind.
- Quick mixing valve can be opted to work with proportional valve to enhance mixing effect. Add "QM"at the model behind.
- For polished hopper inside ones, add "P" at the end of the model code.

## Loading Capacity



# SAL Series

## Outline Drawings



## Specifications

| Model                      |       | SAL-330                        | SAL-360      | SAL-430                                | SAL-460   |      |
|----------------------------|-------|--------------------------------|--------------|--|-----------|------|
| Blower Type                |       | Carbon brush                   | Carbon brush | Inductive                              | Inductive |      |
| Motor Power (kW, 50/60Hz)  |       | 1.15/1.32                      | 1.15/1.32    | 0.37/0.42                              | 0.75/0.85 |      |
| Conveying Pipe Dia. (inch) |       | 1.5                            | 1.5          | 1.5                                    | 1.5       |      |
| Conveying Capacity (60Hz)  | kg/hr | 200                            | 300          | 200                                    | 300       |      |
|                            | lb/hr | 441                            | 661          | 441                                    | 661       |      |
| Hopper Capacity            | L     | 3                              | 6            | 3                                      | 6         |      |
|                            | gal   | 0.8                            | 1.6          | 0.8                                    | 1.6       |      |
| Input Voltage              |       | 1 $\Phi$ , 115/230VAC, 50/60Hz |              | 3 $\Phi$ , 230/400/460/575VAC, 50/60Hz |           |      |
| Material Level Control     |       | Microswitch                    | Microswitch  | Microswitch                            |           |      |
| Cloth Filter               |       | Standard                       |              |  |           |      |
| Auto-Cleaning Function     |       | Standard                       |              |  |           |      |
| Dimensions                 | H     | mm                             | 595          | 670                                    | 660       | 735  |
|                            |       | inch                           | 23.4         | 26.4                                   | 26        | 28.9 |
|                            | W     | mm                             | 345          | 385                                    | 310       | 350  |
|                            |       | inch                           | 13.6         | 15.2                                   | 12.2      | 13.8 |
|                            | D     | mm                             | 355          | 380                                    | 430       | 455  |
|                            |       | inch                           | 14           | 15                                     | 16.9      | 17.9 |
| Weight                     | kg    | 13                             | 14           | 23                                     | 26        |      |
|                            | lb    | 28.7                           | 30.9         | 50.7                                   | 57.3      |      |

Notes: 1) Test condition of conveying capacity: Plastic material of bulk density 0.65kg/L(5.5lb/gal), dia. 3~5mm/0.12~0.2 inch, vertical conveying height: 4m/13.1Feet, horizontal conveying distance: 1m/3.28Feet.

We reserve the right to change specifications without prior notice.

## Shini Group

Addr: No. 23, Minhe St., Shulin Dist.,  
New Taipei, Taiwan

Tel: +886 2 2680 9119

Fax: +886 2 2680 9229

Email: [shini@shini.com](mailto:shini@shini.com)

### Factories:

- Taiwan
- Dongguan
- Pinghu
- Ningbo
- Chongqing
- Pune

2017-02-15-04 Copyrights Reserved.

[www.shini.com](http://www.shini.com)