



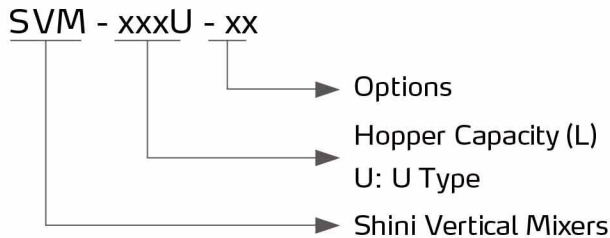
Vertical Batch Mixer

SVM-300U



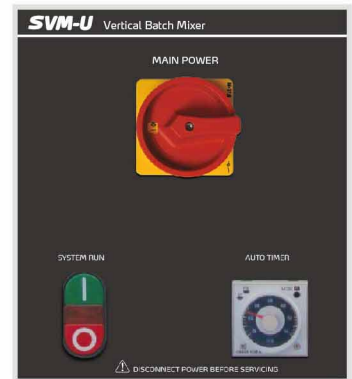
Refer carefully to the manual before operation.

■ Coding Principle



■ Features

- Vertically mounted blending screw and cylinder ensure even mixing of materials.
- Function of feeding plus mixing simultaneously can save time significantly.
- Timer auto-stop function.
- Bottom material feeding method makes it easy for material supply.



Control Panel

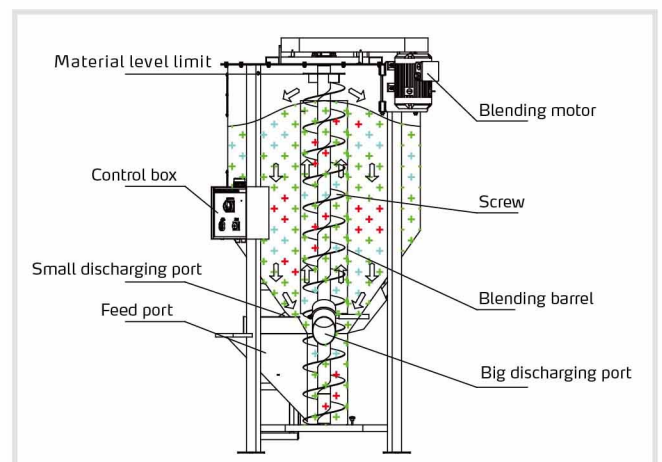
■ Options

- Rotary level sensor is optional, and add "HL" at the end of model code.
- For SVM-1000U and above models optional with the heating function, and add "HA" at the end of the model code.

■ Application

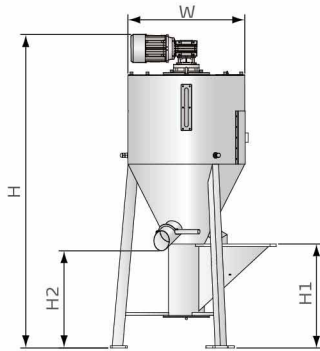
SVM-U is mainly used for mixing plastics as raw materials, masterbatch and recycled materials. SVM-U can not be used dealing with plastic powder and all kinds of foods, chemicals, and inflammable, explosive and volatile materials. Bulk density should be taken into account when the dimension of material is uneven or in other forms.

■ Working Principle

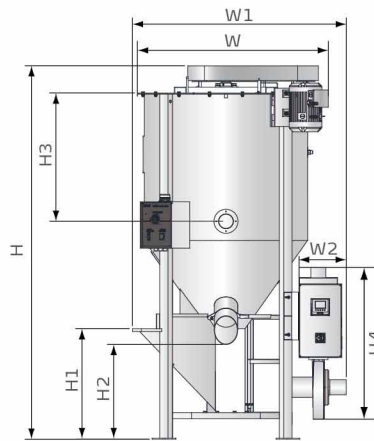


SVM-U Series

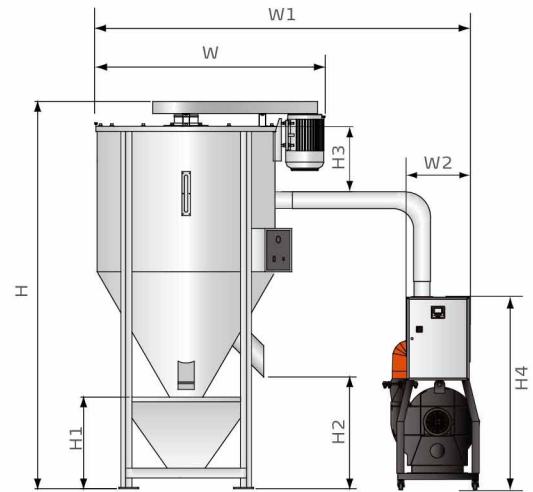
Outline Drawings



SVM-300U and below



SVM-1000U(-HA700)



SVM-2000U(-HA1000) and above

Model	Blower power (kW)	Process heater power (kW)	Heating box air outlet pipe dia. (inch)	W1(mm)	W2(mm)	H3(mm)	H4(mm)
SVM-1000U-HA700	1.1	24	4	1454	427	860	1091
SVM-2000U-HA1000	3.7	32	5	3115	815	875	1650
SVM-3000U-HA1500	5.5	58	8	3240	780	885	2010
SVM-4000U-HA2000	7.5	64	8	3550	990	915	2290
SVM-6000U-HA3000	15	96	8	3704	994	915	2376
SVM-10000U-HA4000	22	128	10	4195	1105	1600	2560

Specifications

Model		SVM-160U	SVM-300U	SVM-1000U	SVM-2000U	SVM-3000U	SVM-4000U	SVM-6000U	SVM-10000U	
Motor Power (kW,50/60Hz)		1.1	1.1	4	5.5	5.5	5.5	7.5	11	
Max. Throughput	kg/hr	400	800	2600	3900	5800	7800	9750	13000	
	lb/hr	882	1764	5732	8598	12787	17196	21495	28660	
Blending Barrel*	L	160	300	1000	2000	3000	4000	6000	10000	
	gal	42	79	264	529	793	1057	1585	2642	
Dimensions	H	mm	1770	1970	2538	2890	3260	3530	4110	4480
		inch	69.7	77.6	99.9	113.8	128.3	139	161.8	176.4
	H1 (mm)	mm	590	590	751	820	840	910	930	1000
		inch	23.2	23.2	29.6	32.3	33.1	35.8	36.6	39.4
	H2 (mm)	mm	550	540	643	690	690	840	790	780
		inch	21.7	21.3	25.3	27.2	27.2	33.1	31.1	30.7
W (mm)	mm	660	770	1330	1700	1860	1990	2110	2490	
	inch	26	30.3	57.2	66.9	73.2	78.3	83.1	98	
Weight	kg	170	190	520	730	890	1080	1370	2090	
	lb	375	419	1146	1609	1962	2381	3020	4607	

Notes: 1) Max. mixing capacity is tested based on continuous processing material of 0.65kg/L(5.5lb/gal) in bulk density and 2~3mm/0.08~0.12inch in size.
2) Power 3Φ, 230 / 400 / 460 / 575VAC, 50 / 60Hz.

We reserve the right to change specifications without prior notice.