



## Collaborated robot

S cobot-i5



Refer carefully to this manual before operation.

## Features

- Highly Safety

The advance collision preventing detection function can stop the system when unexpected collision is happened; and setting the collision level based on the actual situation.

- Easily manipulating

The user can edit the program by the dragging function which means you can directly dragging the moving path. The robot can record the path that user dragged and simplified the editing.

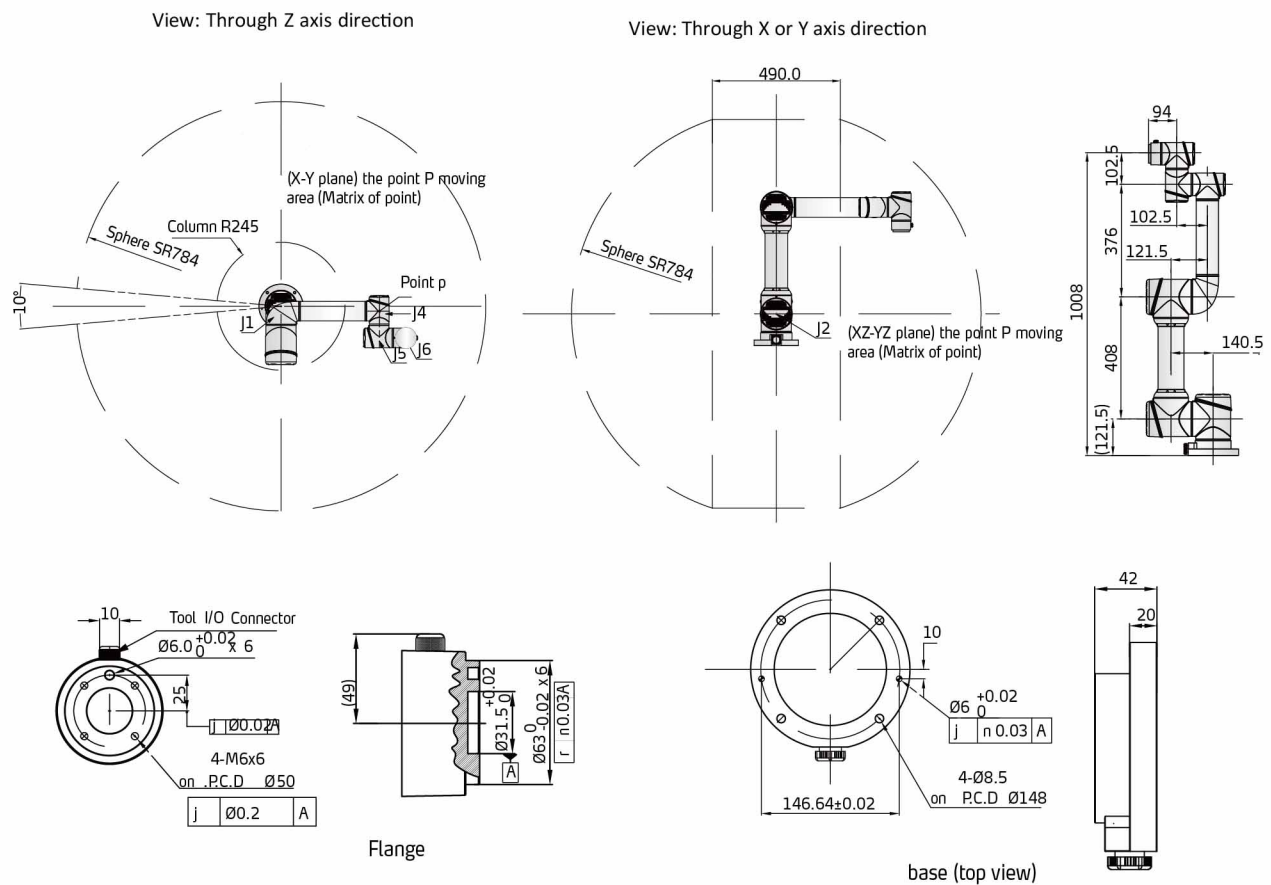
- Easily installing

The robot is Light and flexible to achieve the installation like fixing on the base, hanging , and other particular method.

## Application

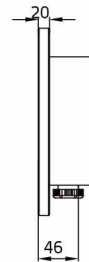
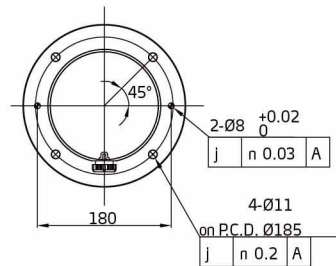
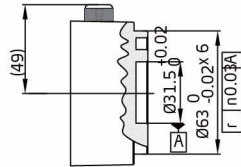
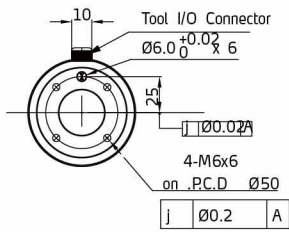
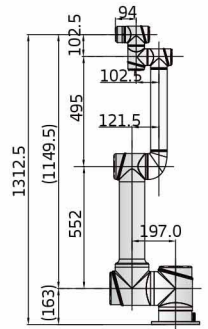
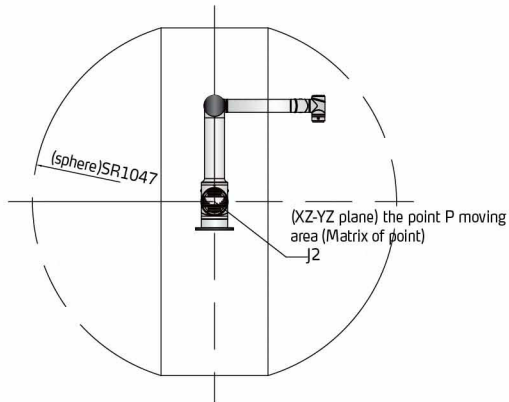
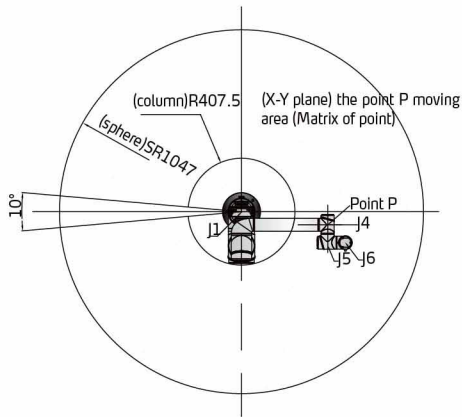
Widely used in combined with taking, painting, polishing, assembling, and vision system to achieve industry 4.0

## Outline Drawings



S Cobot i5

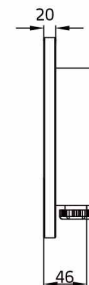
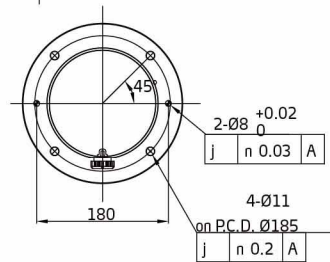
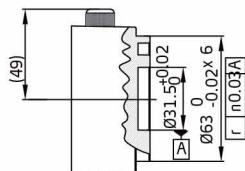
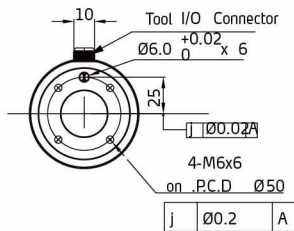
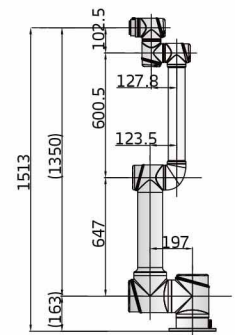
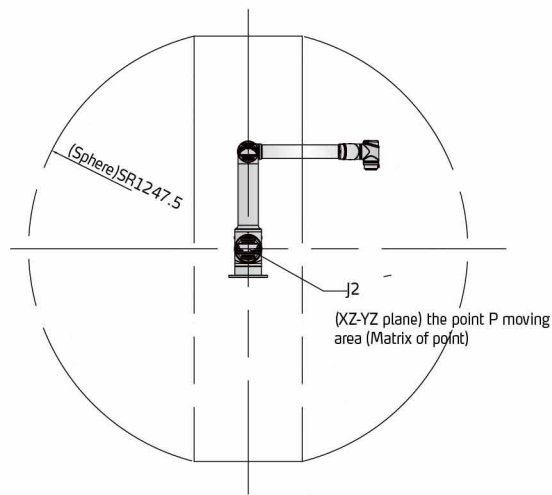
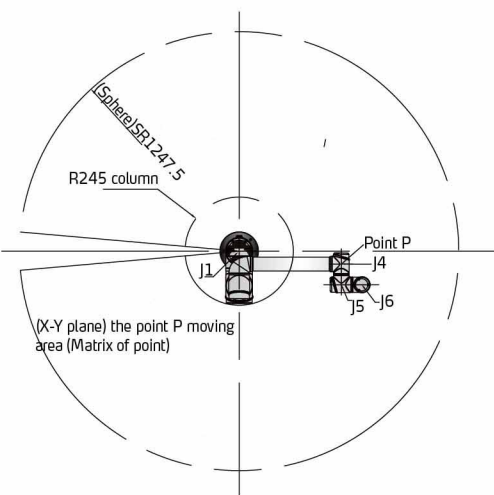
# S Cobot Series



Flange

base (top view)

S Cobot-i7



Flange

base (top view)

S Cobot-i10



## ■ Specifications

Model	S Cobot-i5	S Cobot-i7	S Cobot-i10	
Degreed	6	6	6	
Max. workingarea	886.5mm	1149.5mm	1350mm	
Load	5KG	7KG	10KG	
Weight	24KG	32KG	37KG	
Life time	30000h	30000h	30000h	
Accuracy	±0.02mm	±0.1 mm	±0.1mm	
Speed of the end	≤2.8m/s	≤3.5m/s	≤4.0m/s	
energy consumption (under normal condition)	200W	400W	500W	
Material	Aluminum			
temperature	25-85%			
temperature	0°C-45°C			
Protecting level	IP54			
Programming	The progress is running on the 12.5 inch touching panel			
Communication	CAN bus			
Power supply	DC 48V			
installation	Fix on the ground, hanging, swing			
The Moving Area	J1 Base	±175°	±175°	±175°
	J2 Shoulder	±175°	±175°	±175°
	J3 Elbow	±175°	±175°	±175°
	J4 Wrist	±175°	±175°	±175°
	J5 Wrist	±175°	±175°	±175°
	J6 Wrist	±175°/360° ( for selection)	±175°/360° ( for selection)	±175°/360° ( for selection)
Max. speed	J1 Base	150°/s	150°/s	150°/s
	J2 Shoulder	150°/s	150°/s	150°/s
	J3 Elbow	150°/s	225°/s	180°/s
	J4 Wrist	180°/s	180°/s	180°/s
	J5 Wrist	180°/s	180°/s	180°/s
	J6 Wrist	180°/s	180°/s	180°/s

We reserve the right to change specifications without prior notice.