



Low-speed Granulator

SG-1628N

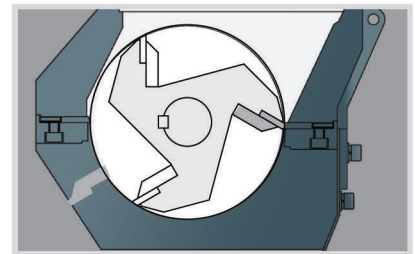
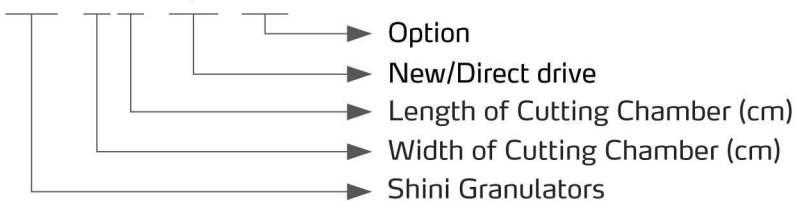


Refer carefully to this manual before operation.

SG-16N/16D/20N Series

■ Coding Principle

SG - xx xx -N/D xxx



SG-16N/16D Structural Drawing of Staggered Blades

■ Features

- SG-16N/16D series adopts staggered blades and unfixed blades to diffuse impact load, improve cutting efficiency. The blade rest design without adjustment makes blade replacement more convenient.
- Low granulating speed and sharp angle design of rotating blades are helpful for smooth and continuous operation.
- SG-20N series is equipped with presetting knife jig, simple cutter installation adjusting technology makes the rotating blades and fixed blades be adjusted within clamps outside machine, no longer needs to be adjusted from inside of machine as before.
- Gear motor of SG-1628D series directly drives the blades to rotate for granulating, which saves regulation and maintenance time of belt driving and tension .
- The material collector is located outside the cutting chamber to avoid leakage.
- Optimal cutting angle makes resistance small and avoid blockage to improve cutting efficiency.
- Optimal design can effectively reduce vibration during operation of granulator.
- Low speed granulating ensures well-proportioned granules and low dust level .
- Low speed and sound-proof material hopper brings a quiet operation environment.
- Easy access to easy maintenance and cleaning.
- Small in size with castors for easy moving.
- High safety grade design to comply with European safety standard.
- With built-in magnet installed at the inlet of the feeding chamber, metal impurities in the materials can be avoided.



SG-16N/16D Staggered Blades



SG-20N Paddle Blades



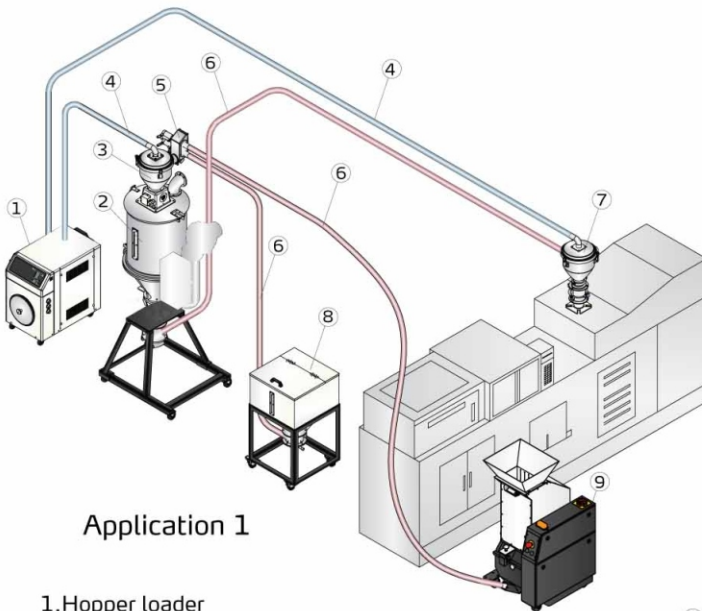
Presetting Knife Jig



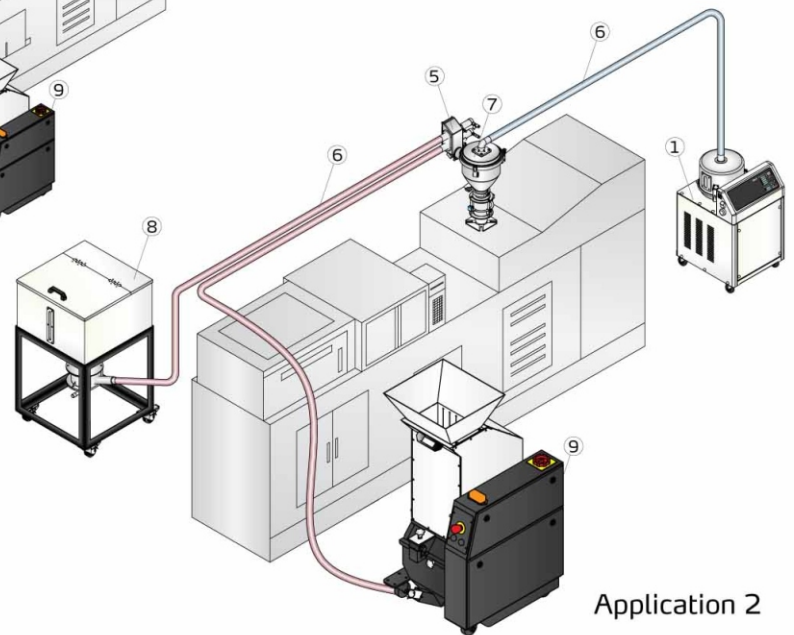
SG-1628D

Application

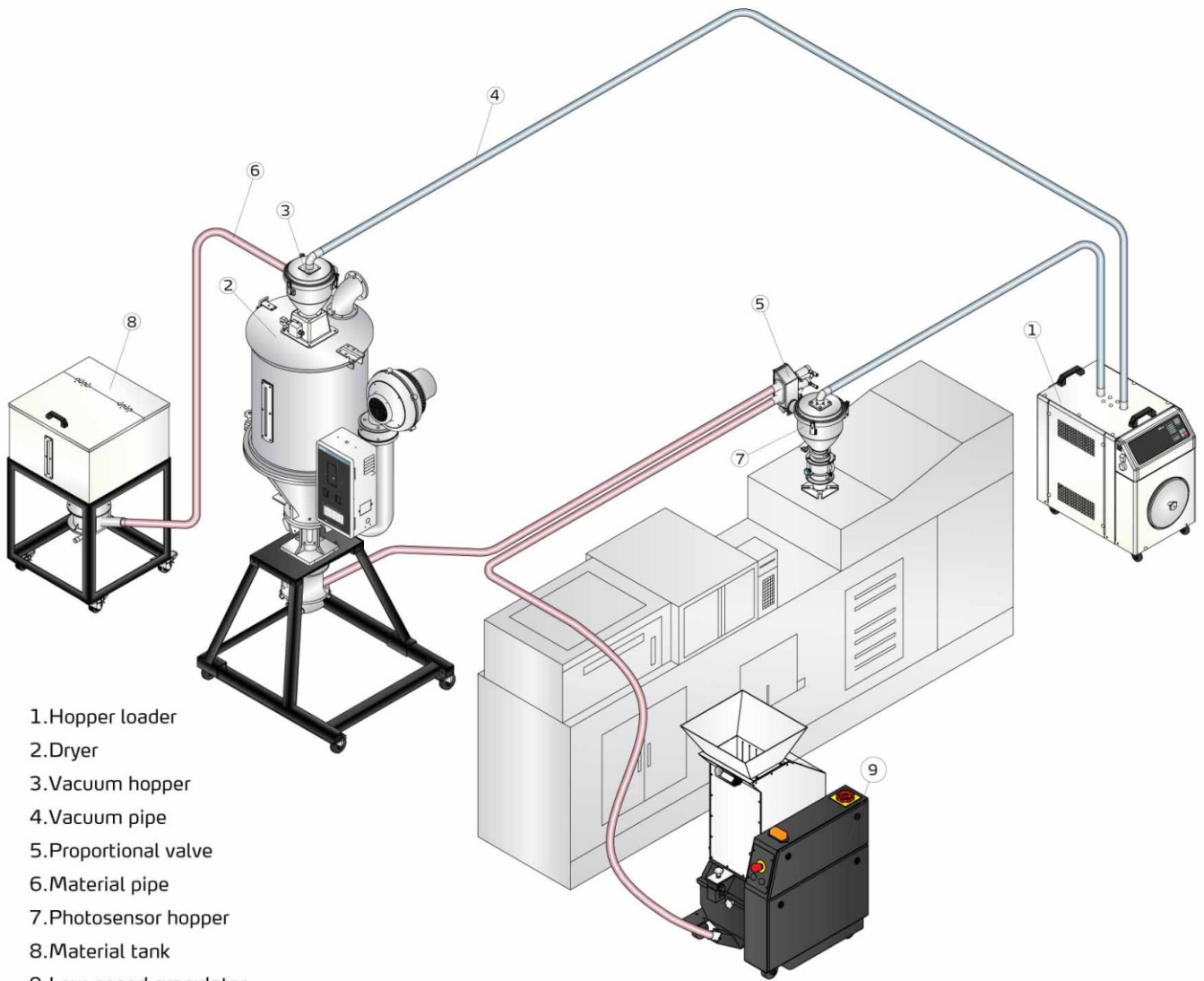
SG-16N/16D/20N series low-speed granulators are suitable for crushing sprues material and a few rejects. It is set on the side of injection moulding machine and picker, collocating with belt conveyor. It features low speed, big driving torque, low noise, little dust level and simple operation.



- 1.Hopper loader
- 2.Dryer
- 3.Vacuum hopper
- 4.Vacuum pipe
- 5.Proportional valve
- 6.Material pipe
- 7.Photosensor hopper
- 8.Material tank
- 9.Low-speed granulator



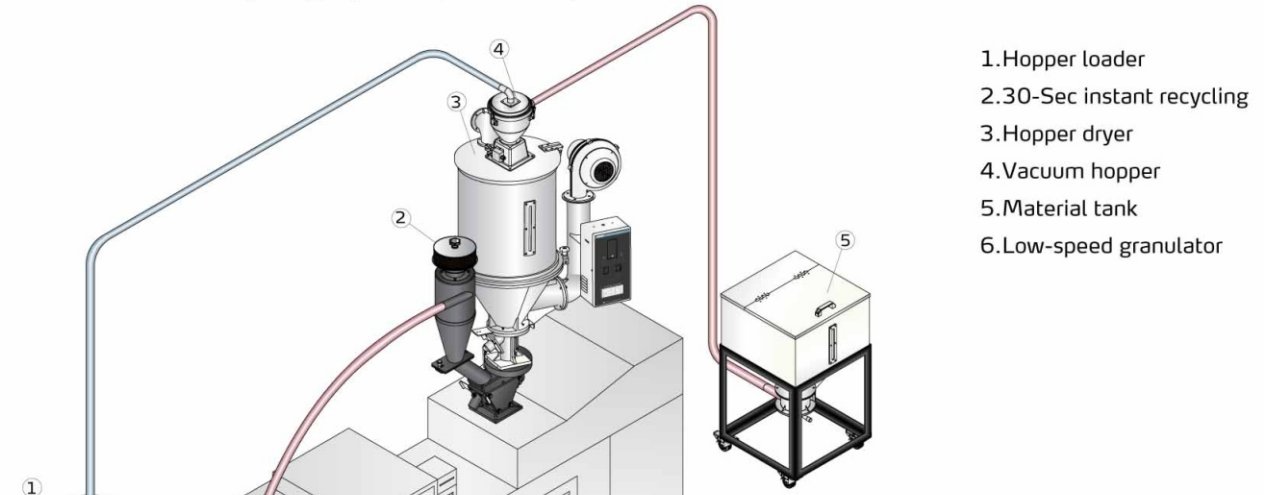
SG-16N/16D/20N Series



Application 3

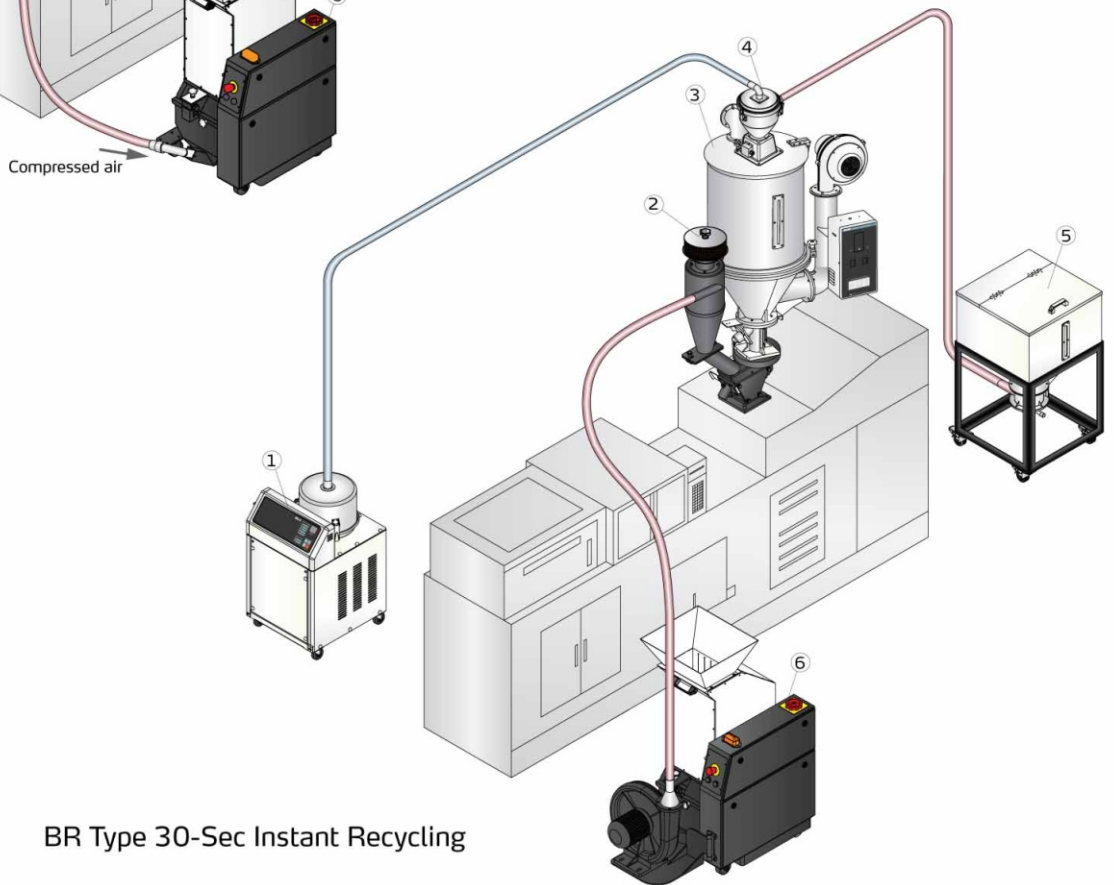
Options

30-Sec Instant Recycling System (Patented product)



- 1.Hopper loader
- 2.30-Sec instant recycling
- 3.Hopper dryer
- 4.Vacuum hopper
- 5.Material tank
- 6.Low-speed granulator

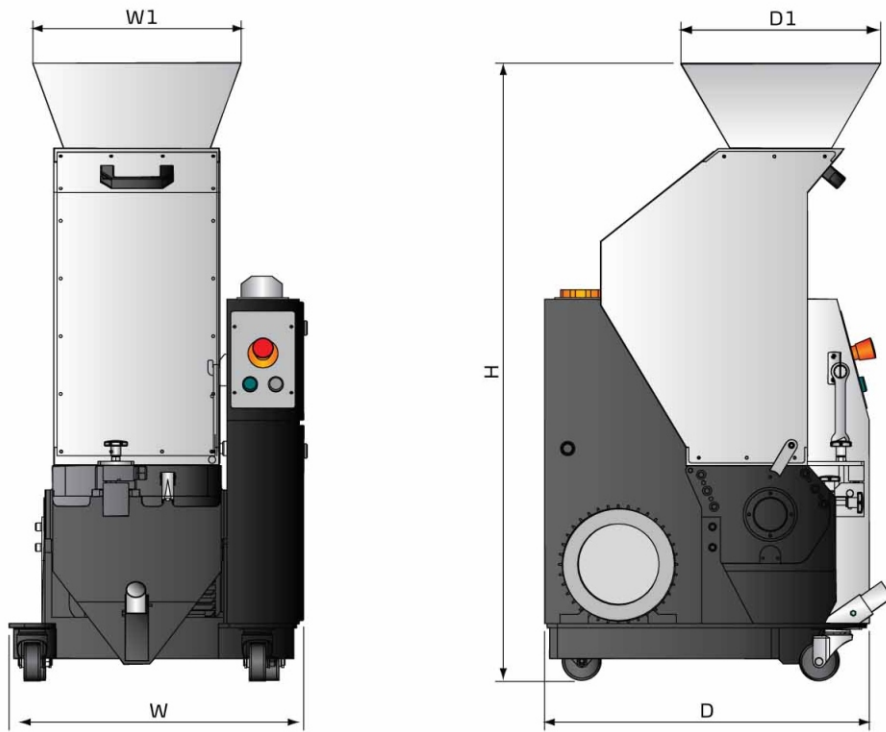
VR Type 30-Sec Instant Recycling
(Especially suitable for white and transparent material)



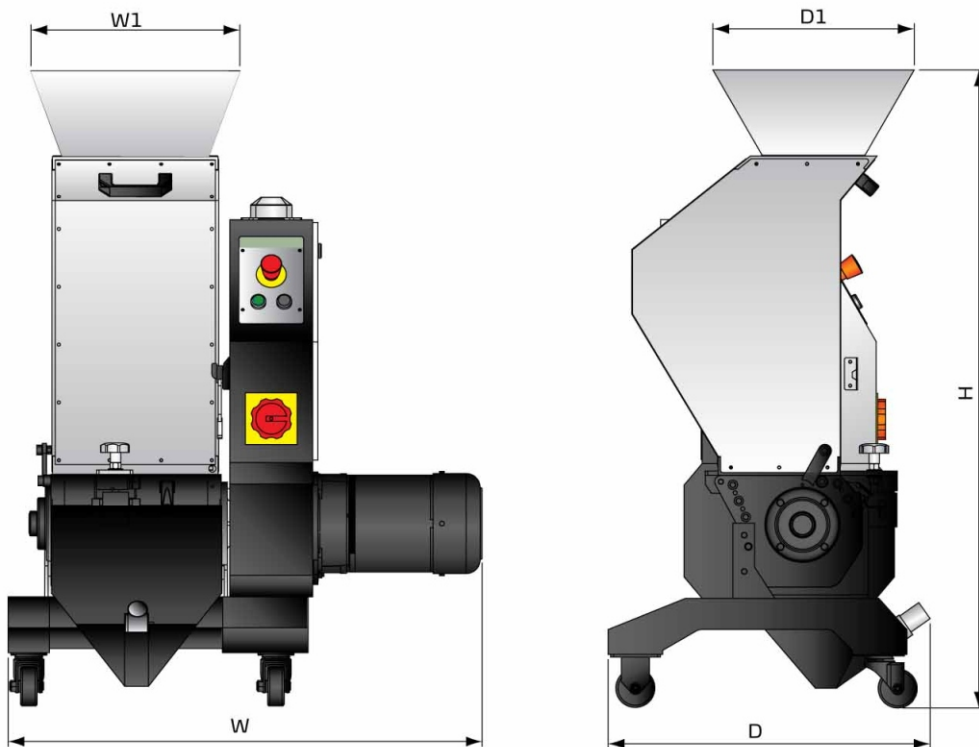
BR Type 30-Sec Instant Recycling

SG-16N/16D/20N Series

■ Outline Drawings



SG-16N/20N



SG-16D

Specifications

Model	SG-	1621N	1628N	1635N(H)	2028N(H)	2028NC(H)	2042N(H)	2042NC(H)	1628D	
Motor Power (kW, 50/60Hz)		1.5 /1.75	2.2 /2.55	2.2 /2.55 (3.0 /3.45)	2.2/2.55 (3.0/3.45)	2.2/2.55 (3.0/3.45)	3.0/3.45 (4.0/4.6)	3.0/3.45 (4.0/4.6)	2.2	
Rotating Speed (rpm, 50/60Hz)		230/278	235 /285	235/285 (240/290)	290/350	290/350	290/350	290/350	220	
Material of Blades		SKD11	SKD11	SKD11	SKD11	SKD11	SKD11	SKD11	SKD11	
Type of Blades		Staggered	Staggered	Staggered	Paddle Blades	Staggered	Paddle Blades	Staggered	Staggered	
Quantity of Fixed Blades		2 × 1	2 × 1	2 × 2	2	2	2	2	2 × 1	
Quantity of Rotating Blades		9	12	15	3	12	3	18	12	
Presetting Knife Jig		-	-	-	√	√	√	√	-	
Cutting Chamber	mm	160 × 210	160 × 280	160 × 350	200 × 280	200 × 280	200 × 420	200 × 420	160 × 280	
	inch	6.3 × 8.3	6.3 × 11	6.3 × 13.8	7.9 × 11	7.9 × 11	7.9 × 16.5	7.9 × 16.5	6.3 × 11	
Max. Output Capacity		35	50	60 (80)	80	80	135	135	50	
Noise Level dB(A) (kg/hr, 50/60Hz)		85 ~ 90	85 ~ 90	85 ~ 90	85 ~ 90	85 ~ 90	85 ~ 90	85 ~ 90	85 ~ 90	
Dia. of Screen Mesh (mm)		(Φ5)	(Φ5)	(Φ5)	(Φ6)	(Φ6)	(Φ6)	(Φ6)	(Φ5)	
Dimensions	H	mm	1200	1200	1200	1270	1270	1270	1270	1180
		inch	47.2	47.2	47.2	50	50	50	50	46.5
	H1	mm	1400	1400	1400	1450	1450	1450	1450	-
		inch	55.1	55.1	55.1	57	57	57	57	-
	H2	mm	550	550	550	550	550	550	550	-
		inch	21.7	21.7	21.7	21.7	21.7	21.7	21.7	-
	W	mm	505	575	645	575	575	715	715	920
		inch	19.8	22.6	25.4	22.6	22.6	28.1	28.1	36.2
	W1	mm	330	400	470	405	405	545	545	365
		inch	13	15.7	18.5	15.9	15.9	21.5	21.5	14.4
	D	mm	630	630	630	695	695	695	695	620
		inch	24.8	24.8	24.8	27.4	27.4	27.4	27.4	24.4
	D1	mm	385	385	385	435	435	435	435	330
		inch	15.2	15.2	15.2	17.1	17.1	17.1	17.1	13
Weight	kg	175	195/185	210/225	265/280	265/280	300/315	300/315	180	
	lb	386	430/408	463/496	584/617	584/617	661/694	661/694	397	

Notes: 1) "√" stands for standard, "o" stands for options.

2) Max. capacity of the machine is subject to diameter of screen hole and composition of the material. The listed maximum output is tested continually with PET preforms.

3) Noise level varies with materials and motor types.

4) To avoid plastic from sticking to the blades, all materials should be crushed at normal temperature.

5) "H" stands for motor power, "C" stands for staggered blade.

6) Power supply: 3Φ, 400/460/575VAC, 50/60Hz.

We reserve the right to change specifications without prior notice.