



Side Entry Robot

SSE-1400T



Refer carefully to this manual before operation

SSE Series

■ Coding Principle

S S E -xxxx T



Home page

■ Features

- Employs floor standing, separate from injection molding machine without mechanical vibration frequency interfere.
- Adopt the design of telescopic arm spindle, having achieved double speed and running fast and smooth
- Main-axis is driven by servo motor, high-precision positioning and rapid response
- Servo motors driven stacking units.
- Conveyor and safety guarding included.

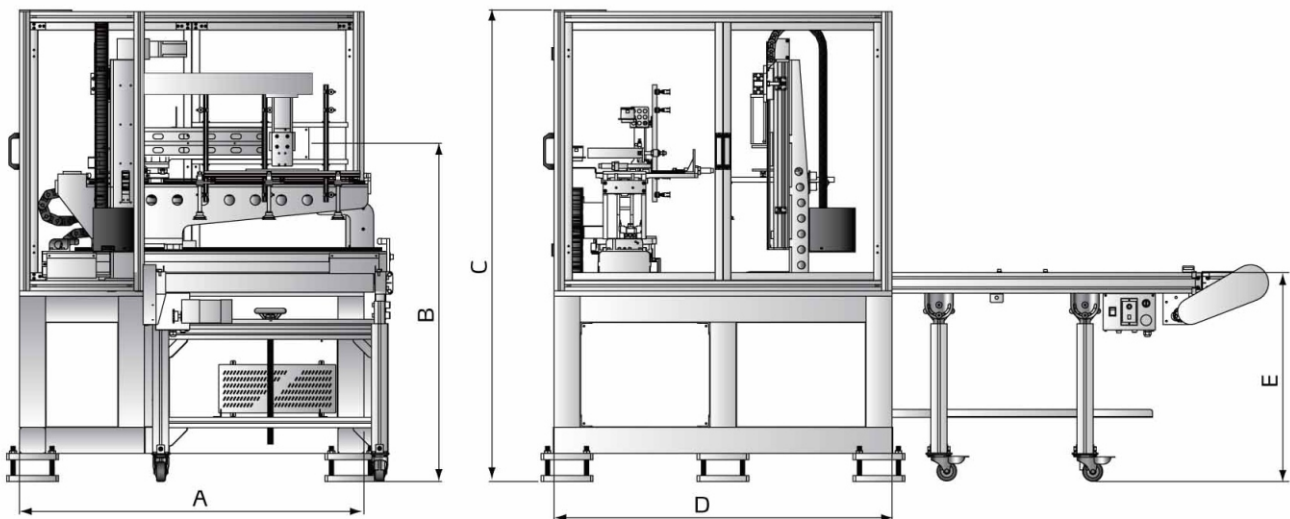


Program page

■ Application

SSE robot is designed for thin-walled products which cycle time below 6sec. With its high speed features can improve the production efficiency. Suitable for injection molding machine with clamping force under 450 tons.

■ Outline Drawings





Specifications

Model		SSE-1000T	SSE-1200T	SSE-1400T	SSE-1600T	SSE-1800T
IMM (Ton)		50-160	160-220	220-300	300-400	400-450
Main Axis	Traverse Stroke (mm)	1000	1200	1400	1600	1800
	Crosswise Stroke (mm)	125	125	125	125	125
Stacking	Traverse Stroke (mm)	500	500	500	500	600
	Crosswise Stroke (mm)	100	100	100	100	100
	Gripper angle (deg)	90	90	90	90	90
Conveyor	Belt length (mm)	400	600	800	800	1000
	Belt width (mm)	2000	2000	2000	2000	2000
	Adjustable height (mm)	700-1000	700-1000	700-1000	700-1000	700-1000
Max. Load(with tool)(kg)		6	6	6	6	6
Min Cycle Time (sec)		4	4.1	4.2	4.6	5
Air Pressure (Bar)		4-6	4-6	4-6	4-6	4-6
Dimensions (mm)	A	1150	1250	1325	1425	1525
	B	Design according to the IMM parameters				
	C	1800	1800	1800	1800	1800
	D	1300	1300	1300	1300	1300
	E	700-1000	700-1000	700-1000	700-1000	700-1000
Power		1 Φ , 200-240V, 50/60Hz			3 Φ , 380-440V, 50/60Hz	

Note: 1) "EM12" stands for EUROMAP 12 communication interface
 "EM67" stands for EUROMAP 67 communication interface
 2) " * " Extra 60NI/min air consumption for vacuum device

Shini Group

Addr: No. 23, Minhe St., Shulin Dist.,
New Taipei, Taiwan

Tel: +886 2 2680 9119

Fax: +886 2 2680 9229

Email: shini@shini.com

Factories:

- Taiwan
- Dongguan
- Pinghu
- Ningbo
- Chongqing
- Pune

2017-08-15-04 Copyrights Reserved.

www.shini.com