



SAL Series "Standard" Hopper Loader SAL

SAL-360

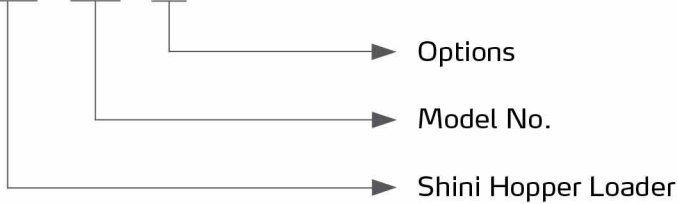


Refer carefully to this manual before operation.

SAL Series

■ Coding Principle

SAL - xxx - xx



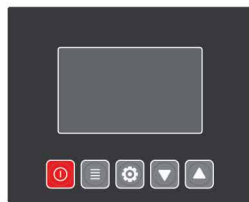
SAL-460

■ Features

- Stainless steel hopper and with motor overload protection.
- SAL-330 integrated design features compact and light structures.
- All the machines are equipped with auto reverse cleaning kit and cloth mesh filter.
- SAL-430/460 is equipped with RS485 port



Control Panel
(SAL-330/360)



Control Panel
(SAL-430/460)

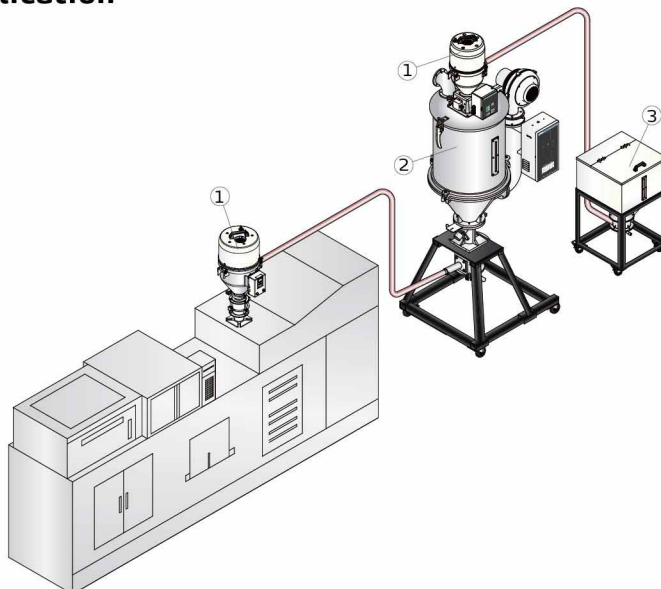


Reverse Cleaning Kit
(SAL-330/360)



Cloth Filter

■ Application



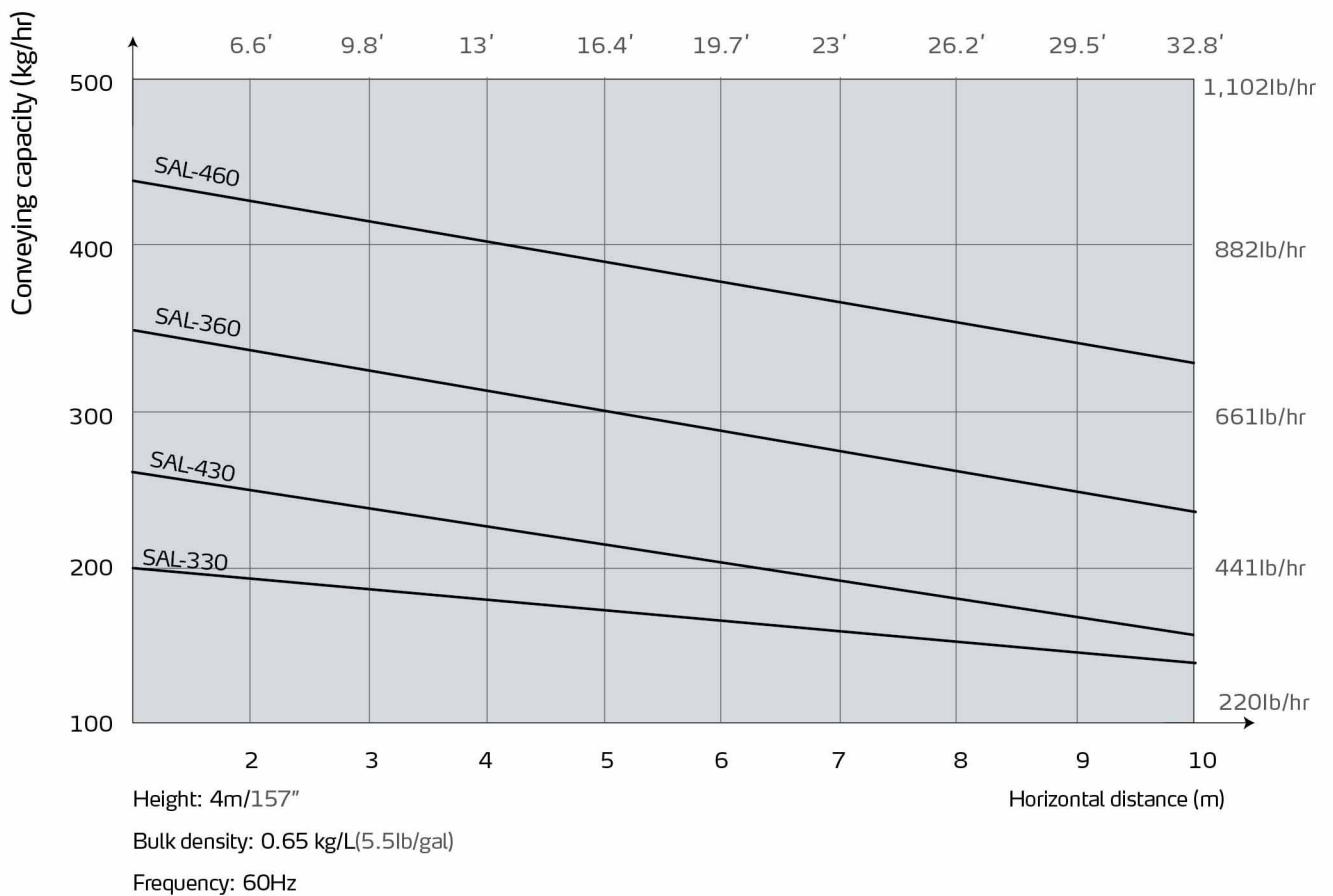
1. Hopper (Auto)
2. "Standard" hopper dryer
3. Material storage tank
4. Photosensor hopper loader



Options

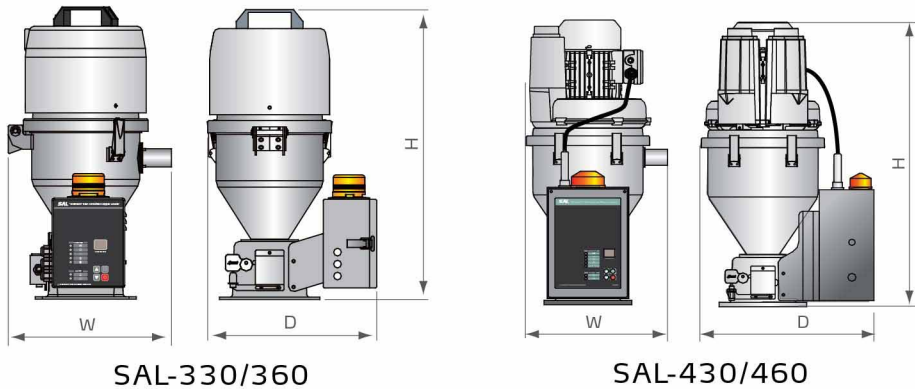
- Extended power switch for height mounting installation. Add "RS" at the end of the model code.
- Optional enhanced mixing technology for proportional valve SPV-U application. Add "QM" at the end of the model code.
- Optional internal polished hopper loader. Add "P" at the end of the model code.
- SAL can work with storage collective hopper SCH-U or SICH-U in the direct mounting application.

Conveying Capacity



SAL Series

Outline Drawings



2.2046226

Specifications

Model		SAL-330	SAL-360	SAL-430	SAL-460	
Blower Type		Carbon brush	Carbon brush	Inductive	Inductive	
Motor Power (kW, 50/60Hz)		1.15/1.32	1.15/1.32	0.37/0.42	0.75/0.85	
Conveying Pipe Dia. (inch)		1.5	1.5	1.5	1.5	
Conveying Capacity (50/60Hz)	kg/hr	200/240	300/350	200/220	300/330	
	lb/hr	441/529	661/772	441/485	661/728	
Hopper Capacity	L	3	6	3	6	
	gal	0.8	1.6	0.8	1.6	
Material Level Control		Microswitch				
Compressed Air Dedusting		●	●	—	—	
Cloth Filter		●	●	●	●	
Motor Reverse Dedusting		—	—	●	●	
Dimensions	H	mm	610	670	660	735
		inch	24	26.4	26	28.9
	W	mm	345	385	310	350
		inch	13.6	15.2	12.2	13.8
	D	mm	355	380	395	420
		inch	14	15	15.6	16.5
Weight	kg	13	14	23	26	
	lb	28.7	30.9	50.7	57.3	

Notes: 1) Test condition of conveying capacity: Plastic material of bulk density 0.65kg/L(5.5lb/gal), dia. 3-5mm/0.12-0.2 inch, vertical conveying height: 4m/13.1Feet, horizontal conveying distance: 1m/3.28Feet.
 2) "●" stands for standard, "○" stands for options, "-" stands for none.
 3) SAL330/360 Input Voltage:1Φ, 115/230VAC, 50/60Hz;
 SAL430/460 Input Voltage:3Φ, 230/400/460/575VAC, 50/60Hz.

We reserve the right to change specifications without prior notice.