



## Low-speed Granulator

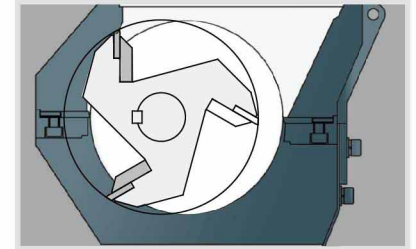
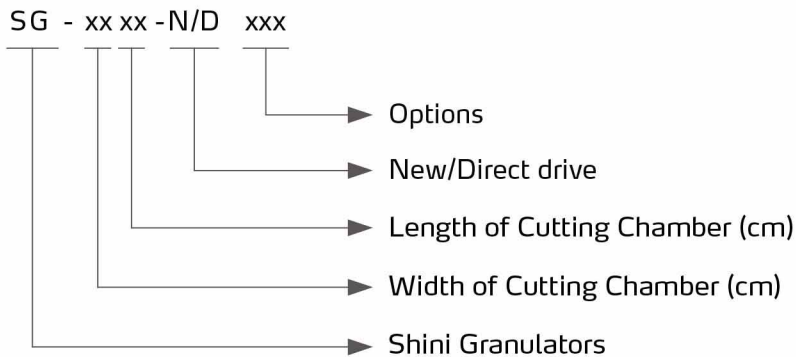
SG-1628N



Refer carefully to this manual before operation.

# SG-16N/20N Series

## ■ Coding Principle



SG-16N Structural Drawing of Staggered Blades

## ■ Features

- SG-16N series staggered blades design improves cutting efficiency. Easy to replace and adjust the blades.
- SG-20N series is equipped with presetting knife jig, which enables to reshape of the blades and installation without too much cost and time.
- Cutting chamber surrounded material collector to avoid re-grind leakage.
- Optimal cutting angle makes resistance small and avoid blockage to improve cutting efficiency.
- Optimal design can effectively reduce vibration during operation of granulator.
- Low speed granulating ensures well-proportioned granules and low dust level .
- Low speed and sound-proof material hopper brings a quiet operation environment.
- Easy access to easy maintenance and cleaning.
- Small footprint and portable design.
- High safety grade design to comply with industrial safety standard.
- With optional magnet installed at the inlet of the feeding chamber, metal impurities in the materials can be avoided.



SG-16N Staggered Blades



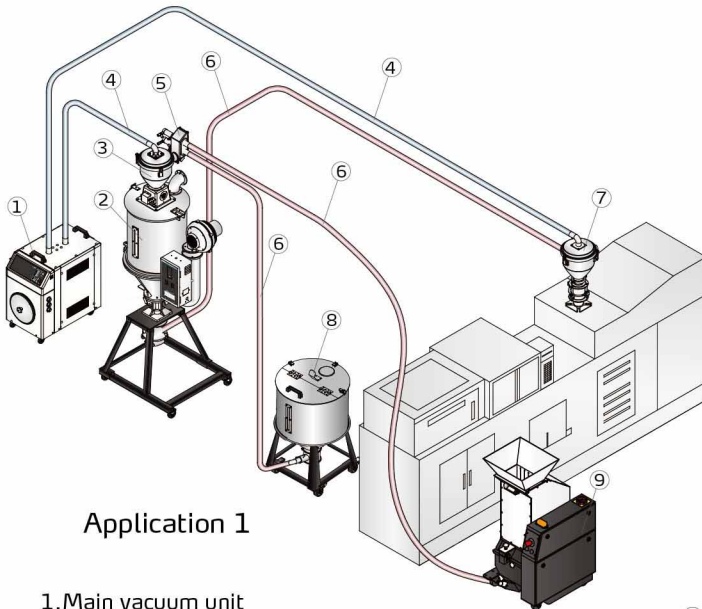
SG-20N Paddle Blades



Presetting Knife Jig

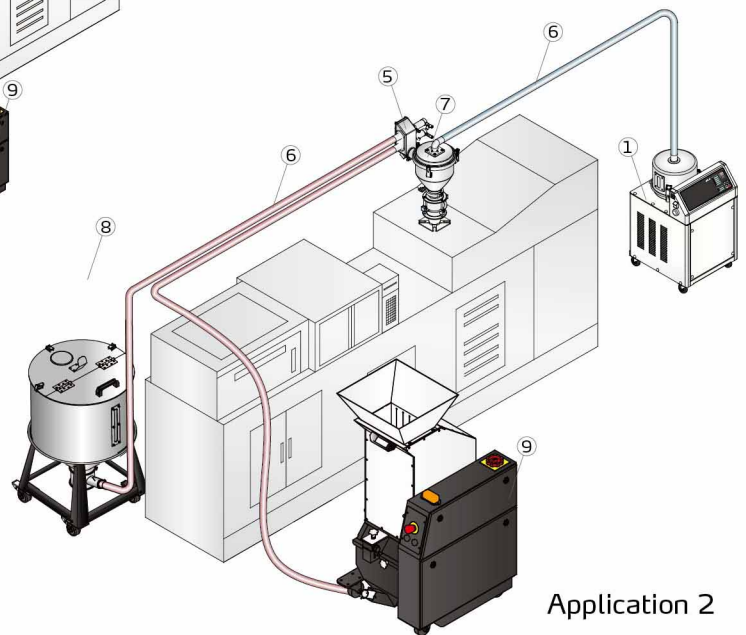
## Application

SG-16N/20N series low-speed granulators are suitable for crushing sprues material and a few rejects. It is set on the side of injection moulding machine and picker, collocating with belt conveyor. It features low speed, big driving torque, low noise, little dust level and simple operation.



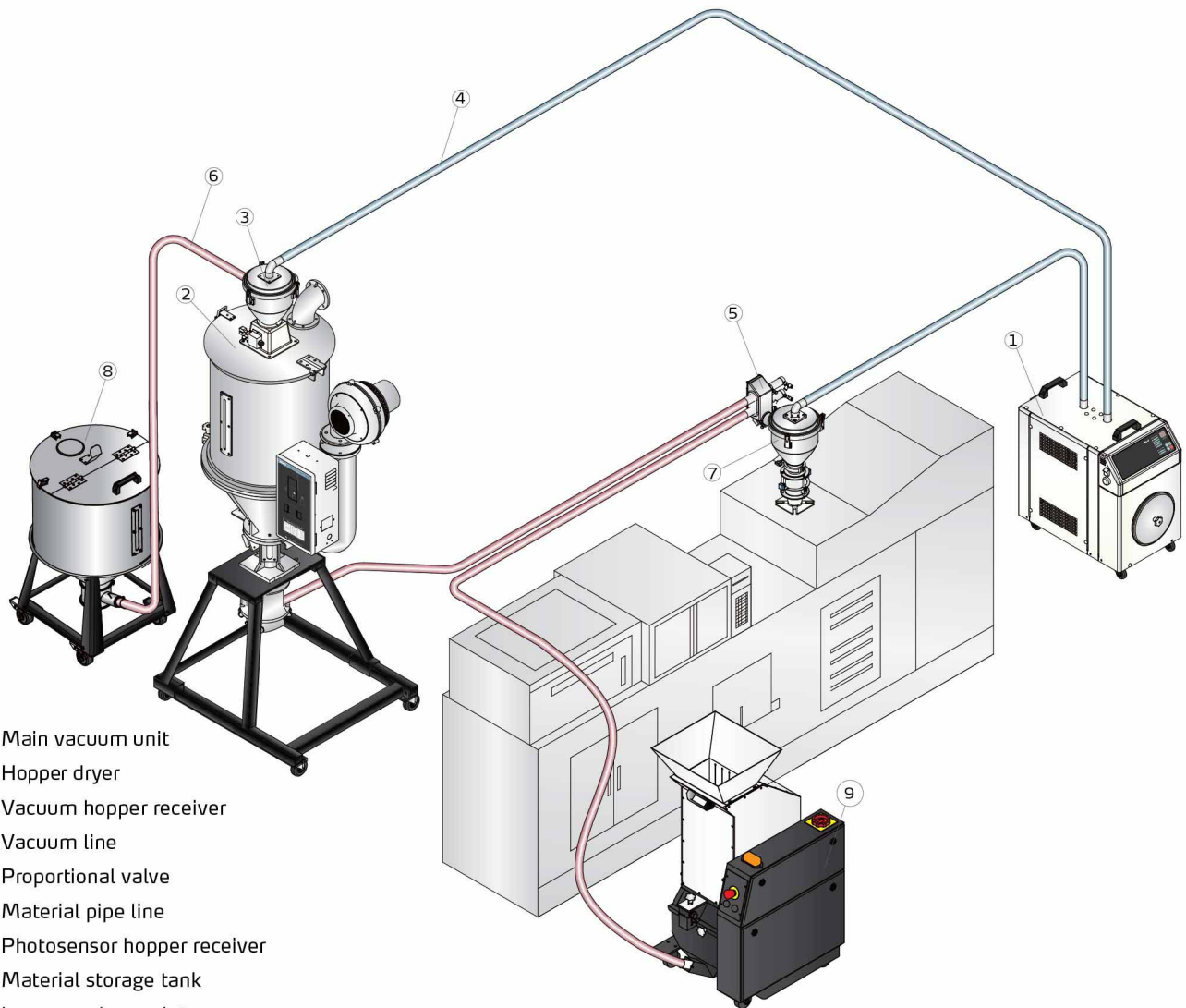
Application 1

1. Main vacuum unit
2. Hopper dryer
3. Vacuum hopper receiver
4. Vacuum line
5. Proportional valve
6. Material pipe line
7. Photosensor hopper receiver
8. Material storage tank
9. Low-speed granulator



Application 2

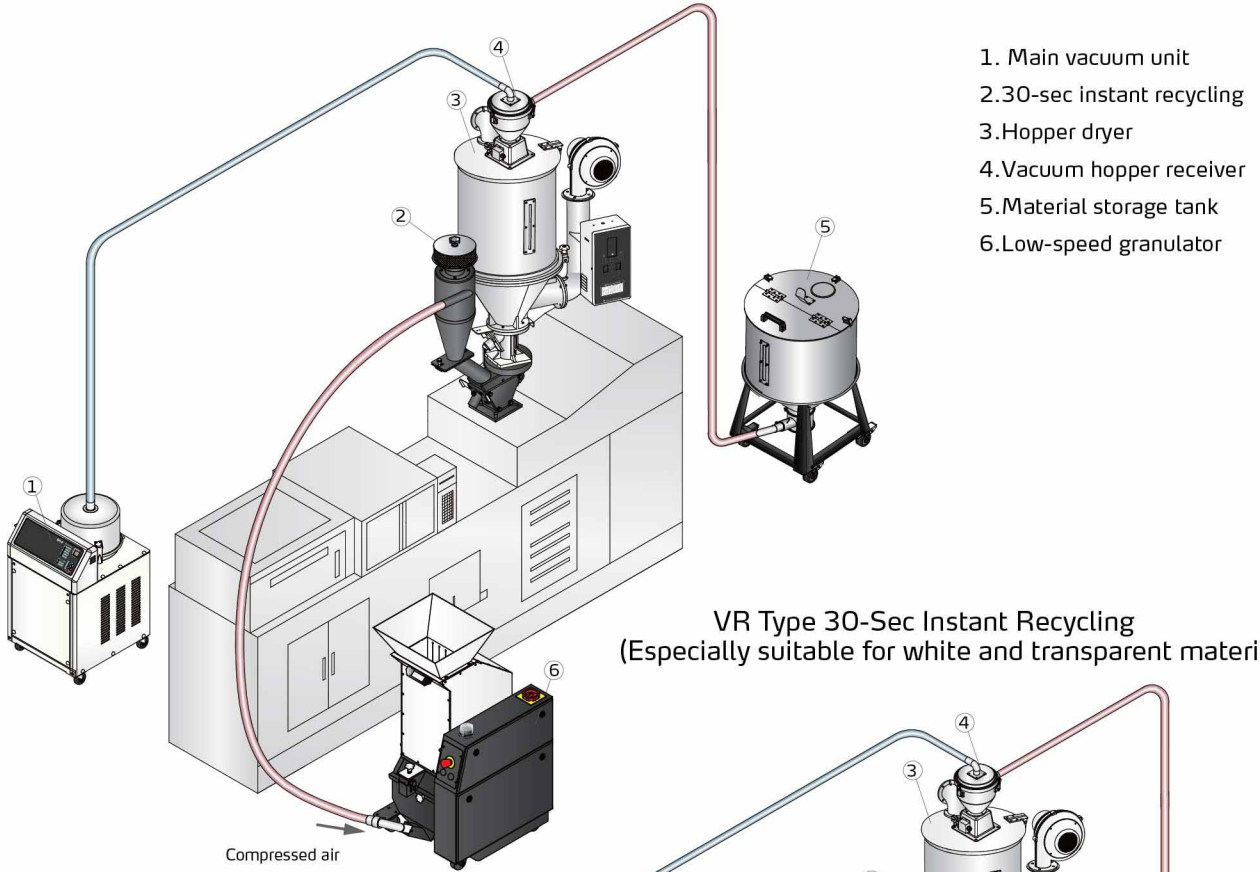
# SG-16N/20N Series



Application 3

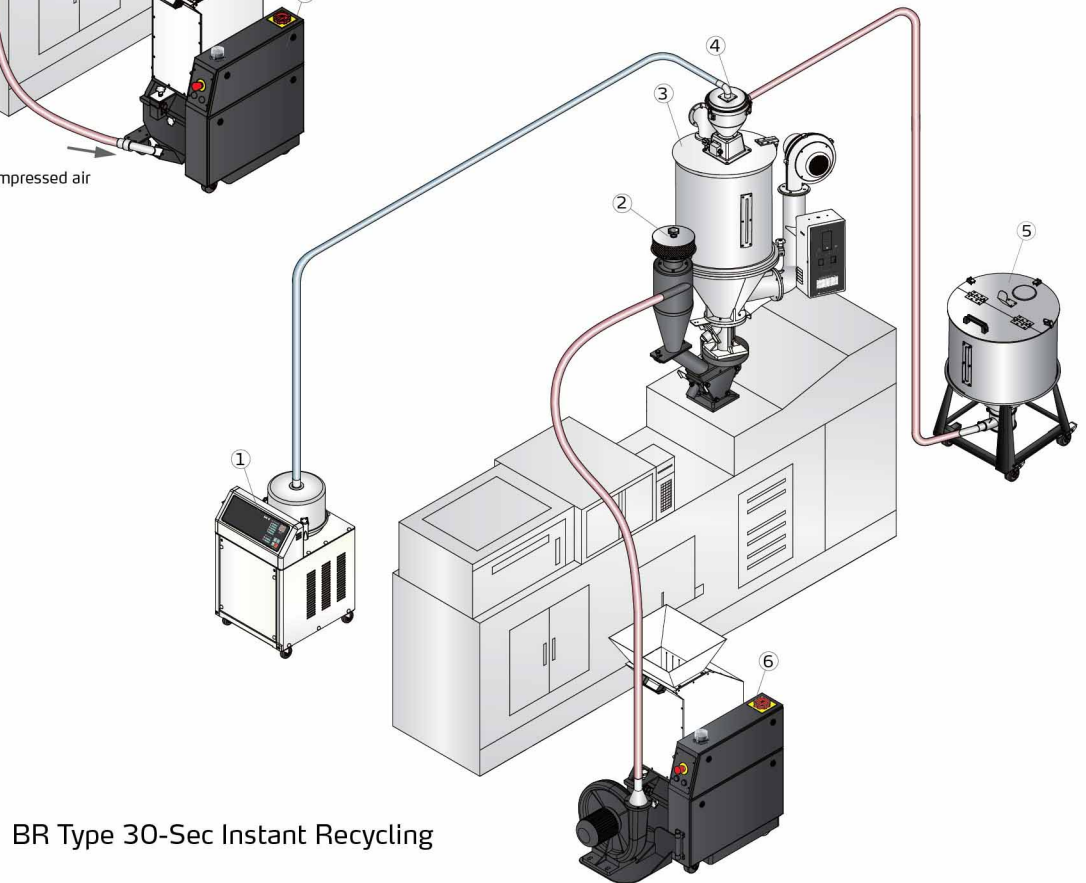
Options

30-Sec Instant Recycling System (Patented product)



1. Main vacuum unit
2. 30-sec instant recycling
3. Hopper dryer
4. Vacuum hopper receiver
5. Material storage tank
6. Low-speed granulator

VR Type 30-Sec Instant Recycling  
(Especially suitable for white and transparent material)



BR Type 30-Sec Instant Recycling

# SG-16N/20N Series

## Full-receiver Alarm Device

Full-receive alarm device can help to realize unmanned operation and no materials will be wasted. Whenever the regrind level reaches the motor position, the machine will be forced to stop and be cut off via it is sensor, thus stop the granulator and warn the user by sounding an alarm. Applicable to SG-16N/20N series.



Level Motor

## Regrind Conveying Via Blower & Cyclone (BC Type)

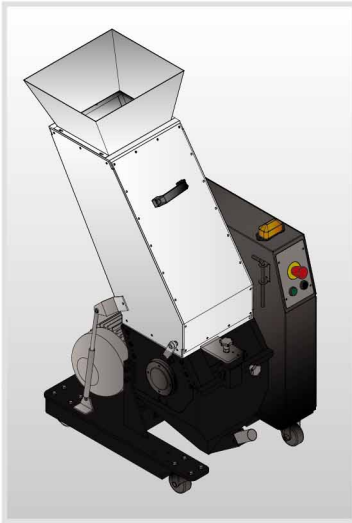
This device utilizes loading blower to convey regrind into the cyclone dust collector to separate the regrind from the air and then the regrind will fall into storage hopper or cloth bag. Applicable to SG-16N/20N series.



## Dust Separators (DS Type)

Dust Separator (DS type) can enhance dust separation with regrind for immediate use. The dust will be kept in filter bag, thus working environment will be maintained clean. This device ensures full use of regrind to avoid material wasting and enhance the economy returns. Applicable to SG-16N/20N series.

### Straight Hopper



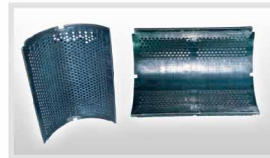
Straight hopper has been designed to meet the demand of grinding pipes and runners. Applicable to SG-20N blades series(exclusive of SG-2028NH).

### Special Screen



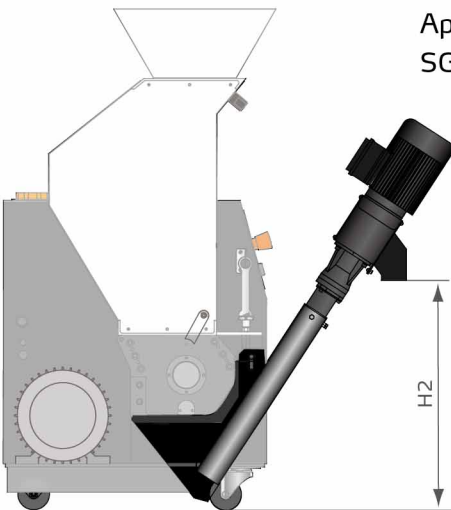
Special screen mesh sizes includes  $\Phi 4$ ,  $\Phi 6$ ,  $\Phi 8$ ,  $\Phi 10$ ,  $\Phi 12$ (mm), which are applicable to SG-16N series; and  $\Phi 4$ ,  $\Phi 5$ ,  $\Phi 7$ ,  $\Phi 8$ ,  $\Phi 10$ ,  $\Phi 12$  (mm), which are applicable to SG-20N series. All can be selected to meet customer's requirement.

### Double-layer Screen



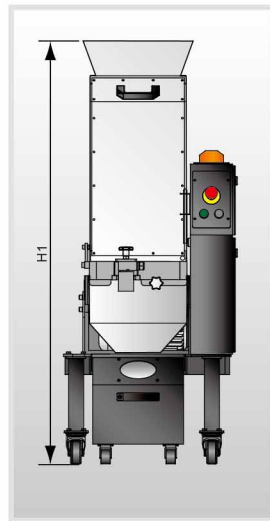
Double-layer screen is designed for customers with long and thin materials.

### Optionally Equipped with Coiled Spring Conveyor



Applicable to SG-16N/20N series.

### Height-increasing storage bin

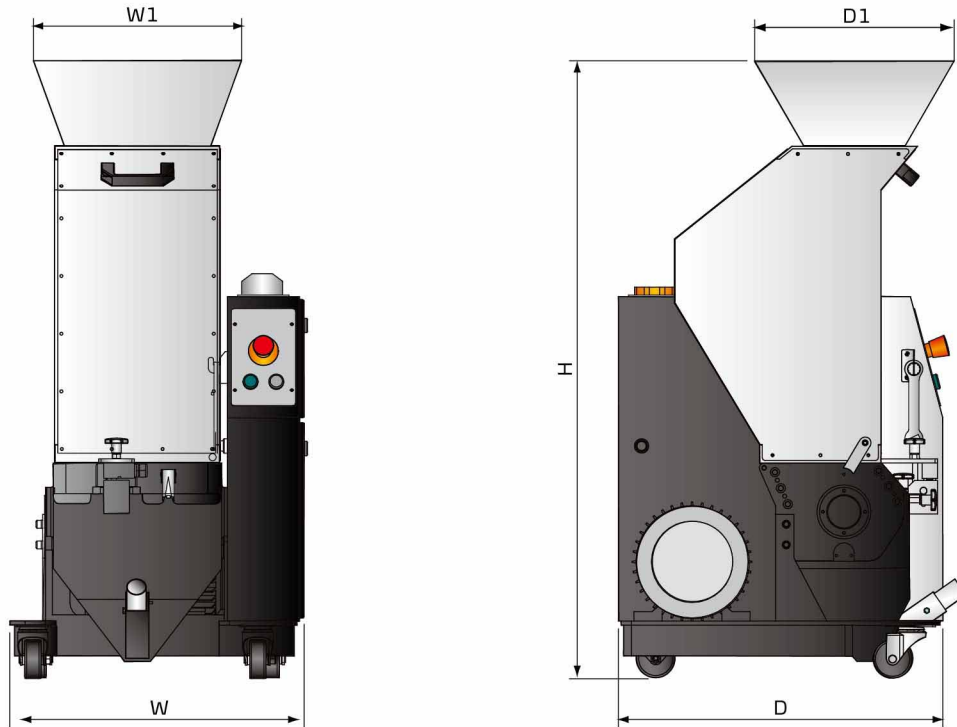


Height-increasing storage tank helps to collect and store regrind. Applicable to SG-16N/20N series.

- Select fiber-added material granulator model to process fiber-added material. The unit adopts surface-hardening treatment on the material contacting components and V-4E paddle blades. Add "F" at the end of the model code.
- Optional higher motor power add "H" at the end of the model code.
- For stainless steel made feed port and storage box, add "R" at the end of the model code.

# SG-16N/20N Series

## ■ Outline Drawings



SG-16N/20N



## Specifications

Model	SG-	1621N	1628N	1635N(H)	2028N(H)	2028NC(H)	2042N(H)	2042NC(H)	
Motor Power (kW, 50/60Hz)		1.5 /1.75	2.2 /2.55	2.2 /2.55 (3.0 /3.45)	2.2/2.55 (3.0/3.45)	2.2/2.55 (3.0/3.45)	3.0/3.45 (4.0/4.6)	3.0/3.45 (4.0/4.6)	
Rotating Speed (rpm, 50/60Hz)		230/278	235 /285	235/285 (240/290)	290/350	290/350	290/350	290/350	
Material of Blades		SKD11	SKD11	SKD11	SKD11	SKD11	SKD11	SKD11	
Type of Blades		Staggered	Staggered	Staggered	Paddle Blades	Staggered	Paddle Blades	Staggered	
Quantity of Fixed Blades		2 × 1	2 × 1	2 × 2	2 × 1	2 × 1	2 × 1	2 × 1	
Quantity of Rotating Blades		3 × 3	3 × 4	3 × 5	3 × 1	3 × 4	3 × 1	3 × 6	
Presetting Knife Jig		-	-	-	✓	-	✓	-	
Cutting Chamber	mm	160 × 210	160 × 280	160 × 350	200 × 280	200 × 280	200 × 420	200 × 420	
	inch	6.3 × 8.3	6.3 × 11	6.3 × 13.8	7.9 × 11	7.9 × 11	7.9 × 16.5	7.9 × 16.5	
Max. Output Capacity		35	50	60 (80)	80	80	135	135	
Noise Level dB(A) (kg/hr, 50/60Hz)		85 ~ 90	85 ~ 90	85 ~ 90	85 ~ 90	85 ~ 90	85 ~ 90	85 ~ 90	
Dia. of Screen Mesh (mm)		(Φ5)	(Φ5)	(Φ5)	(Φ6)	(Φ6)	(Φ6)	(Φ6)	
Dimensions	H	mm	1200	1200	1200	1270	1270	1270	1270
		inch	47.2	47.2	47.2	50	50	50	50
	H1	mm	1400	1400	1400	1450	1450	1450	1450
		inch	55.1	55.1	55.1	57	57	57	57
	H2	mm	550	550	550	550	550	550	550
		inch	21.7	21.7	21.7	21.7	21.7	21.7	21.7
	W	mm	505	575	645	575	575	715	715
		inch	19.8	22.6	25.4	22.6	22.6	28.1	28.1
	W1	mm	330	400	470	367	367	507	507
		inch	13	15.7	18.5	14.4	14.4	20	20
	D	mm	630	630	630	695	695	695	695
		inch	24.8	24.8	24.8	27.4	27.4	27.4	27.4
	D1	mm	385	385	385	375	375	375	375
		inch	15.2	15.2	15.2	14.8	14.8	14.8	14.8
Weight	kg	175	195/185	210/225	265/280	265/280	300/315	300/315	
	lb	386	430/408	463/496	584/617	584/617	661/694	661/694	

- Notes: 1) "√" stands for standard, "○" stands for options, "-" stands for none.  
2) Max. capacity of the machine is subject to diameter of screen hole and composition of the material. The listed maximum output is tested continually with PET preforms.  
3) Noise level varies with materials and motor types.  
4) To avoid plastic from sticking to the blades, all materials should be crushed at normal temperature.  
5) "H" stands for motor power, "C" stands for staggered blade.  
6) Power supply: 3Φ, 400/460/575VAC, 50/60Hz.

We reserve the right to change specifications without prior notice.

## Shini Group

Addr: No. 23, Minhe St., Shulin Dist.,  
New Taipei, Taiwan

Tel: +886 2 2680 9119

Fax: +886 2 2680 9229

Email: [shini@shini.com](mailto:shini@shini.com)

### Factories:

- Taiwan
- Dongguan
- Pinghu
- Ningbo
- Chongqing
- Pune