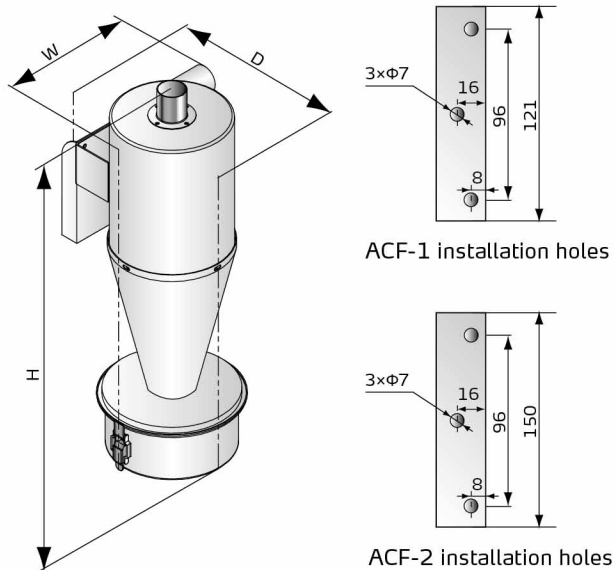


Accessories

ACF



Features

- Equipped with dust collection bin for easy de-dusting
- Cyclone filtering function
- Detachable dust collection bin for easy disassembly and cleaning

Model	Capacity (H×W×D)		Pipe diameter (inch)
	mm	inch	
ACF-1	mm	550×220×235	1.5
	inch	21.7×8.7×9.3	
ACF-2	mm	550×220×235	2.0
	inch	21.7×8.7×9.3	

Application

Collocated with SAL-G, it can be mounted between the hopper and loader to filter the dust in the vacuum loop as to reduce the cleaning times of the filter in the loader.



There are four models of SSC series customized material storage tanks, which can work with any model of SSC series machine. This material storage tank has movable floor stand for easy installation and cleaning. It adopts square hopper design to fully utilize the space. The maximum capacity can be 500Kg/1,102lb. and all material discharge outlets are 210×110mm/8.3×4.3inch, applicable to convey and storage of powder, regrind, virgin material and mixtures.

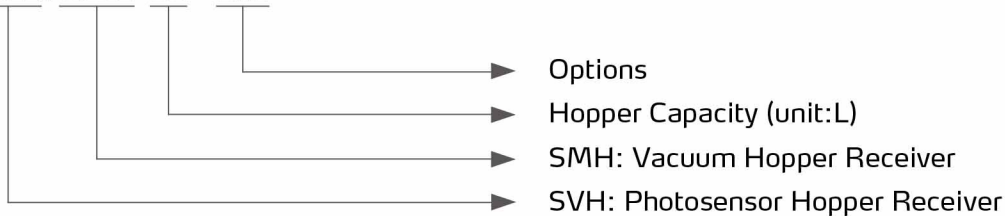
Model	MST-	100S	200S	300S	500S
H	mm	1287	1387	1637	1726
	inch	46.5	50.8	60.6	64.2
W	mm	621	821	943	1243
	inch	24.2	32	36.6	48.8
D	mm	625	825	947	1247
	inch	24.2	32	36.6	48.8
Weight	kg	52	66	80	110
	lb	115	146	176	243



SVH/SMH Series

■ Coding Principle

SVH/SMH-xL - xxx



■ Features

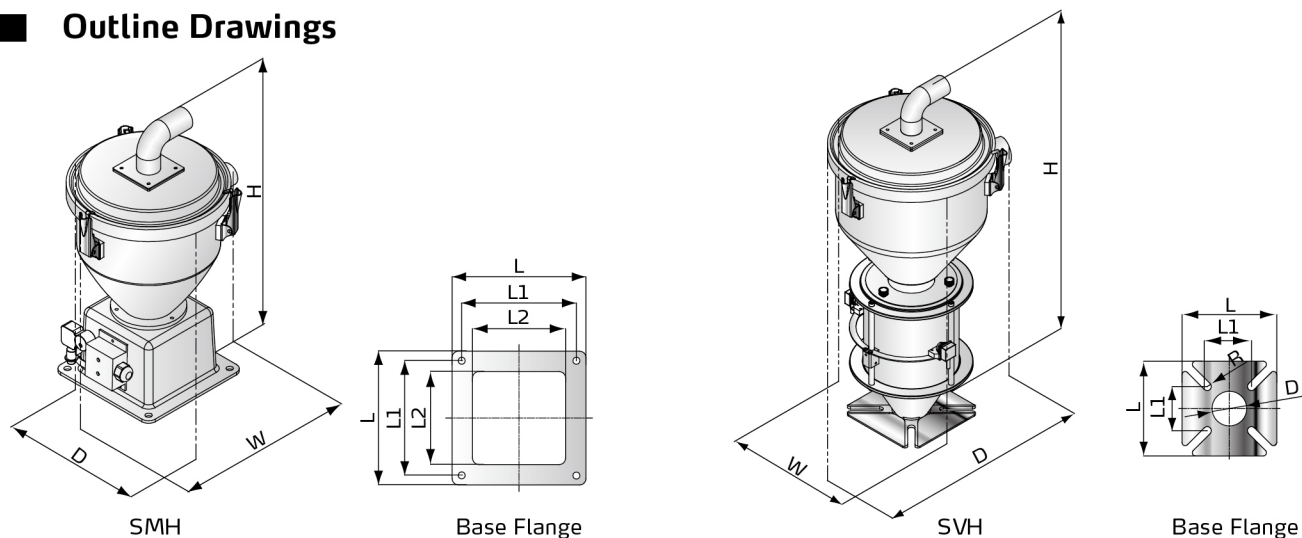
- This series of products are mainly used for collocating with Hopper Loader SAL-G
- SMH is suitable to mount on Shini Dryer, storage tank or other containers as receiving device in material conveying process.
- SVH equipped a glass-pipe temporary storage device at the bottom, which is suitable to mount at the inlet of the molding machine. It ensures no material shortage of the molding machine during suction process to achieve successive production.
- Stainless steel hopper ensures no material contamination
- Standard equipped with steel wired filter screen

■ Accessory & Options

- It is available to select SCH-6 storage bin and SMH-6L/12L vacuum hopper, both of which can be directly mounted on injection molding machine.
- Quick mixing valve can be opted to work with proportional valve to enhance mixing effect. Add "QM" at the end of the model code.
- SVH-3L/6L/12L/24L photo-sensor hopper receiver can opt with the contrary stop valve to avoid air leakage when using the shared pipe, and add "RSV" add the end of the model code.

SVH/SMH Series

Outline Drawings



SVH Specifications

Model	Hopper			Conveying pipe dia. (inch)	Suction pipe dia. (inch)
	Hopper capacity (L)	Dimension H×W×D (mm)	Weight (kg)		
SVH-3L	3	460×260×315	3	1.5	1.5
SVH-6L	6	600×260×305	7	1.5	1.5
SVH-12L	12	700×300×365	11	1.5	1.5
SVH-24L	24	1120×360×375	13	2	2

SVH Base mounting dimensions

Model	L(mm)	L1(mm)	D(mm)	R(mm)
SVH-3L	120	50	40	6.5
SVH-6L	150	70	55	6.5
SVH-12L	180	80	55	6.5
SVH-24L	180	80	80	6.5

SMH Specifications

Model	Hopper			Conveying pipe dia. (inch)	Suction pipe dia. (inch)
	Hopper capacity (L)	Dimension H×W×D (mm)	Weight (kg)		
SMH-6L	6	460 × 260 × 315	7	1.5	1.5
SMH-12L	12	515 × 325 × 350	7	1.5	1.5
SMH-24L	24	720 × 325 × 375	9	2	2

SMH Base mounting dimensions

	L(mm)	L1(mm)	L2(mm)
SMH-6L	210	180	146
SMH-12L			
SMH-24L			



SHR-U

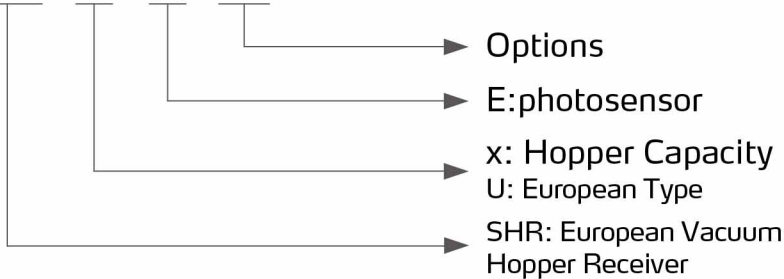


SHR-U-E

SHR-U-(E) Series

■ Coding Principle

SHR - xU - (E) - xxx



■ Features

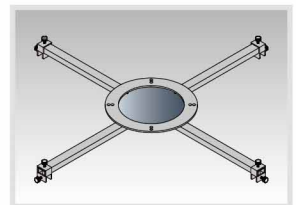
- This series of products are mainly used for collocating with Hopper Loader SAL-UG and Compact Dryer SCD. With SAL-UG, adopts 6P connector; with SCD, adopts 4P connector.
- SHR-U is suitable to mount on Shini Dryer, storage tank or other containers as receiving device in material conveying process.
- SHR-U-E equipped a glass-pipe temporary storage device at the bottom, which is suitable to mount at the inlet of the molding machine. It ensures no material shortage of the molding machine during suction process to achieve successive production.
- Stainless steel hopper ensures no material contamination
- Standard equipped with steel wired filter screen

■ Accessory & Options

- Optionally provide multi-functional installation frame HMB-900 with 900mm largest dia. adjusting range for selection. Add "HMB" at the end of the model code.
- Options with storage collective hopper SCH-U and heat-insulated collective hopper SICH-U are available for direct mounting hopper receiver SHR-U at the inlet of the molding machine.
- Quick mixing valve can be opted to work with proportional valve to enhance mixing effect. Add "QM" at the end of the model code.
- SHR-12U and above models are available to option with air accumulator to enhance purging effect. Add "A" at the end of the model code.
- For models optional with non-return valve to avoid air leakage of shared pipe, add "RSV" at the end of the model code.
- SHR-48U can select the bridge-breaking device to prevent material bridged at the discharge port, and add "MB" at the end of the model code.



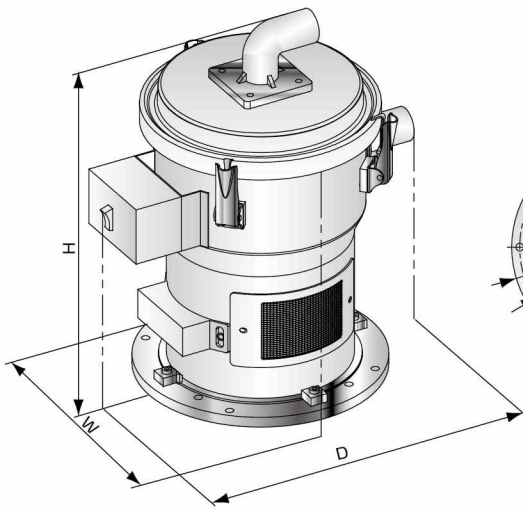
Air accumulator



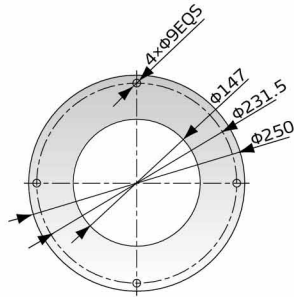
Multifunctional installation frame

SHR-U-(E) Series

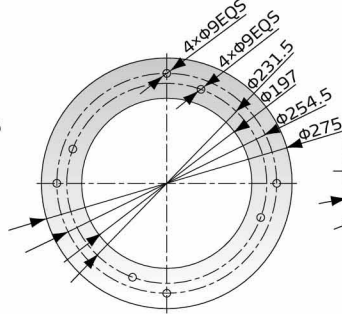
Outline Drawings



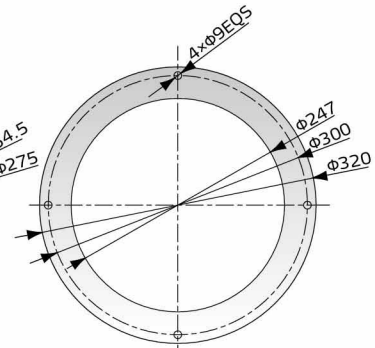
SHR-U



SHR-3U
Base Flange

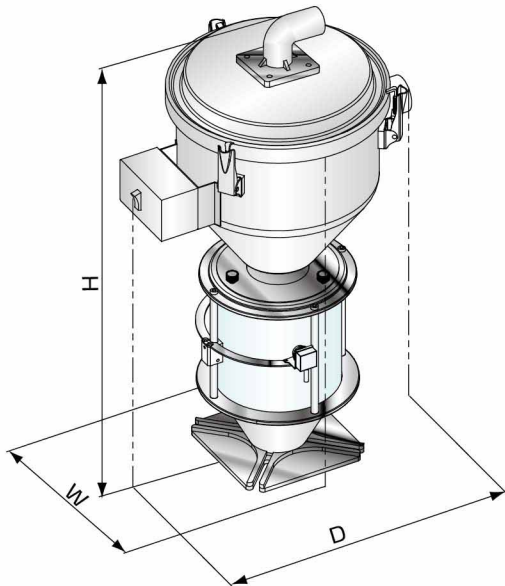


SHR-6U~36U
Base Flange



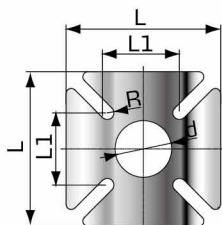
SHR-48U~96U
Base Flange

Specifications



Model	Hopper capacity (L)	Hopper		Conveying Pipe Dia. (inch)	Air Suction Pipe Dia. (inch)
		Dimension (H×W×D) (mm)	Weight (kg)		
SHR-3U	3	380 × 250 × 330	4	1.5	1.5
SHR-3U-E		535 × 207 × 310			
SHR-6U	6	420 × 285 × 360	6	1.5	1.5
SHR-12U	12	470 × 315 × 400	7	1.5	1.5
SHR-12U-E		700 × 315 × 400	12		
SHR-24U	24	690 × 315 × 400	9	2	2
SHR-24U-E		1120 × 360 × 400	13		
SHR-36U	36	930 × 315 × 400	11	2	2.5
SHR-48U	48	975 × 350 × 485	15	2.5	3
SHR-96U	96	1220 × 430 × 560	20	2.5	3

SHR-U-E Base mounting dimensions



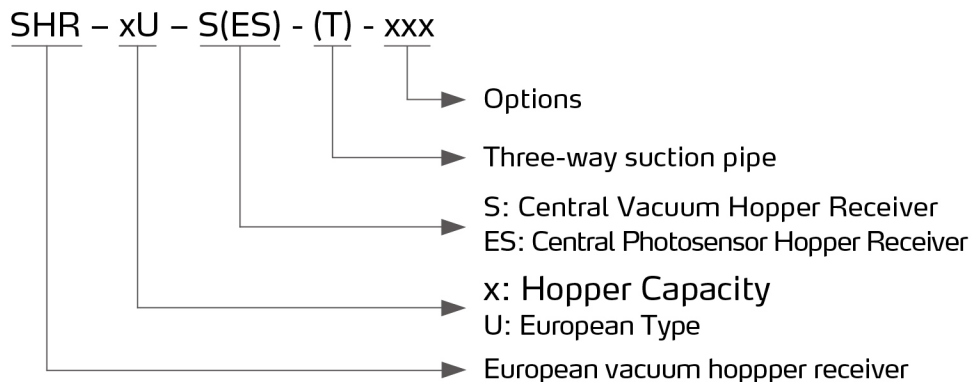
Model	L(mm)	L1(mm)	d(mm)	R(mm)
SHR-3U-E	120	50	40	6.5
SHR-12U-E	180	80	55	6.5
SHR-24U-E	180	85	80	6.5



SHR-U-S

SHR-U-S(ES)-(T) Series

■ Coding Principle



■ Features

- This series of products are mainly used for collocating with Hopper Loader SAL-UG122 and SAL-UG124, and also can be used in central conveying system.
- SHR-U-S is suitable to mount on Shini Dryer, storage tank or other containers as receiving device in material conveying process.
- SHR-U-ES equipped a glass-pipe temporary storage device at the bottom, which is suitable to mount at the inlet of the molding machine. It ensures no material shortage of the molding machine during suction process to achieve successive production.
- SHR-U-S-T or SHR-U-ES-T is mainly used for collocating with SGB; the three-way T suction inlet is convenient to connect numbers of suction inlets of the hopper.
- Stainless steel hopper ensures no material contamination
- Equipped with vacuum separating valve is available to open/close the vacuum return loop.
- Standard equipped with steel wired filter screen



SHR-U-ES



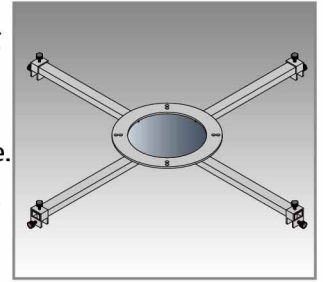
SHR-U-ST

SHR-U-S/ES-(T) Series

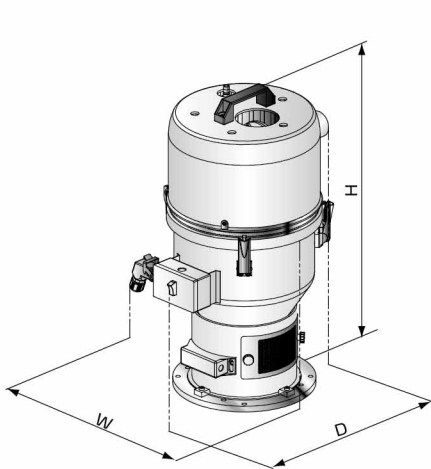
Accessory & Options

- Optionally provide multi-functional frame HMB-900 with 900mm largest dia. adjusting range for selection. Add "HMB" at the end of the model code.
- Options with storage collective hopper SCH-U and heat-insulated collective hopper SICH-U are available for direct mounting hopper receiver SHR-U-S at the inlet of the molding machine.
- Optional with contrary stop valve to avoid central conveying system leakage when connecting with shared material pipeline, add "RSV" at the end of the model code.
- Thickening shut-off plate is optional. Add "SD" at the back of the model code.

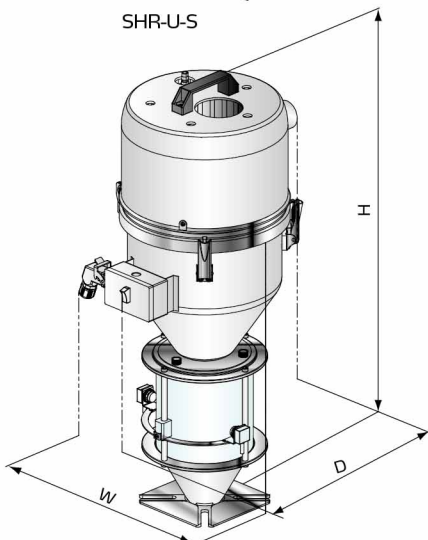
SHR-48U-S/ST can select the bridge-breaking device to prevent material bridged at the discharge port, and add "MB" at the end of the model code.



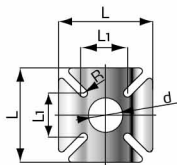
Multifunctional installation frame



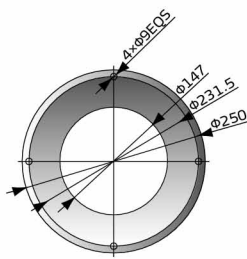
SHR-U-S



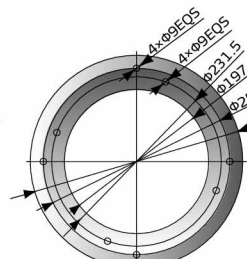
SHR-U-ES



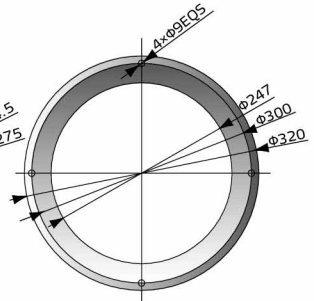
SHR-U-ES Base Flange



SHR-3U-S Base Flange



SHR-6U-S-SHR-36U-S Base Flange



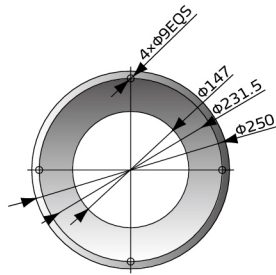
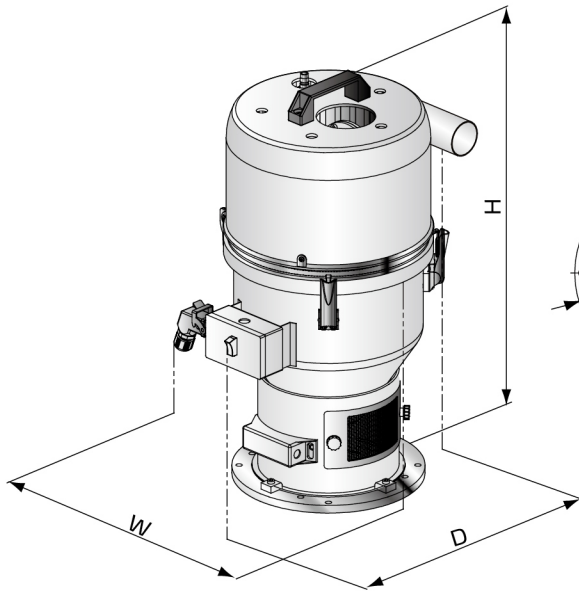
SHR-48U-S-SHR-96U-S Base Flange

SHR-U-S Specifications

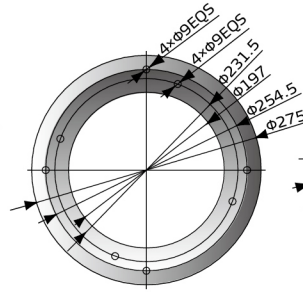
Model	Hopper			Conveying Pipe Dia. (inch)	Air Suction Pipe Dia. (inch)
	Hopper capacity (L)	Dimension (H×W×D)(mm)	Weight (kg)		
SHR-3U-S	3	600 × 270 × 340	4.5	1.5	2
SHR-3U-ES		745 × 270 × 330			
SHR-6U-S	6	560 × 305 × 375	7.5	1.5	2
SHR-6U-ES		730 × 305 × 375			
SHR-12U-S	12	615 × 335 × 405	9	1.5	2
SHR-12U-ES		810 × 335 × 405			
SHR-24U-S	24	825 × 335 × 405	11	2	2.5
SHR-24U-ES		1255 × 400 × 405			
SHR-36U-S	36	1035 × 335 × 405	12	2	2.5
SHR-48U-S	48	1140 × 400 × 480	18	2.5	3
SHR-96U-S	96	1400 × 480 × 560	23	2.5	3

SHR-U-S Base mounting dimensions

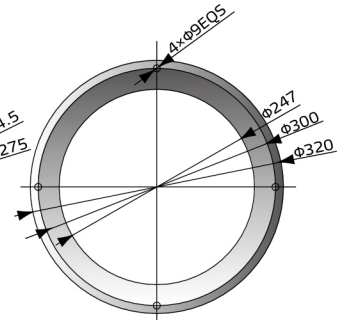
Model	L (mm)	L1 (mm)	d (mm)	R (mm)
SHR-3U-ES	120	50	40	6.5
SHR-6U-ES	150	70	55	6.5
SHR-12U-ES	180	80	55	6.5
SHR-24U-ES	180	85	80	6.5



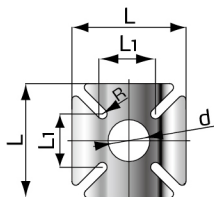
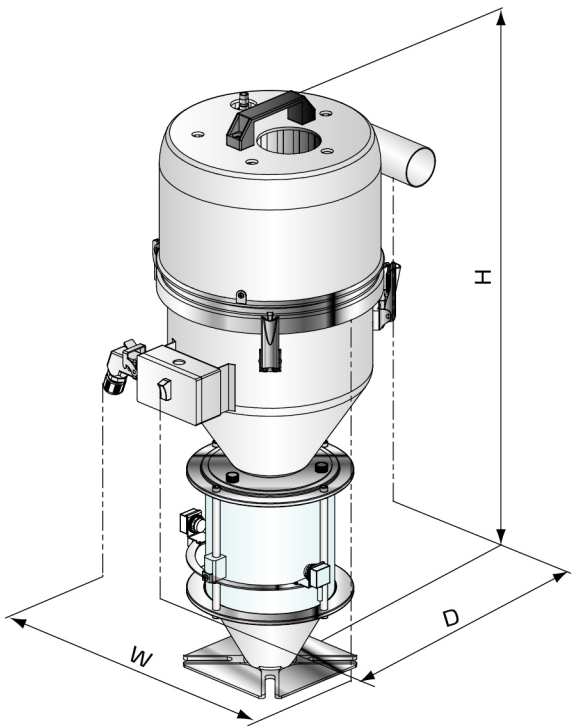
SHR-3U-ST



SHR-6U-S-SHR-36U-ST



SHR-48U-S-SHR-96U-ST

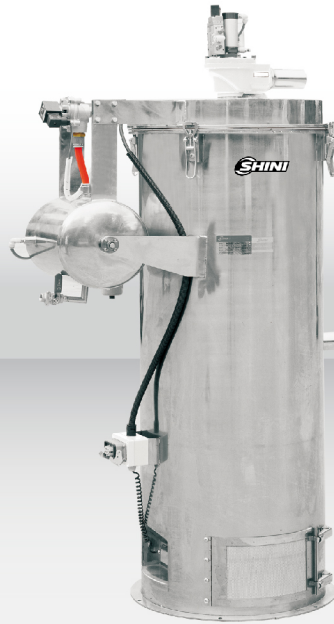


SHR-U-ST Specifications

Model	Hopper capacity (L)	Hopper		Conveying Pipe Dia. (inch)	Air Suction Pipe Dia. (inch)
		Dimension (H×W×D) (mm)	Weight (kg)		
SHR-3U-ST	3	600 × 260 × 370	4.5	1.5	2
SHR-3U-EST		745 × 235 × 370			
SHR-6U-ST	6	560 × 290 × 400	7.5	1.5	2
SHR-6U-EST		727 × 280 × 400			
SHR-12U-ST	12	615 × 305 × 440	9	1.5	2
SHR-12U-EST		810 × 305 × 440			
SHR-24U-ST	24	825 × 305 × 455	11	2	2.5
SHR-24U-EST		1255 × 400 × 455			
SHR-36U-ST	36	1035 × 305 × 455	12	2	2.5
SHR-48U-ST	48	1145 × 350 × 515	18	2.5	3
SHR-96U-ST	96	1400 × 430 × 560	23	2.5	3

SHR-U-EST Base mounting dimensions

Model	L (mm)	L1 (mm)	d (mm)	R (mm)
SHR-3U-EST	120	50	40	6.5
SHR-6U-EST	150	70	55	6.5
SHR-12U-EST	180	80	55	6.5
SHR-24U-EST	180	85	80	6.5

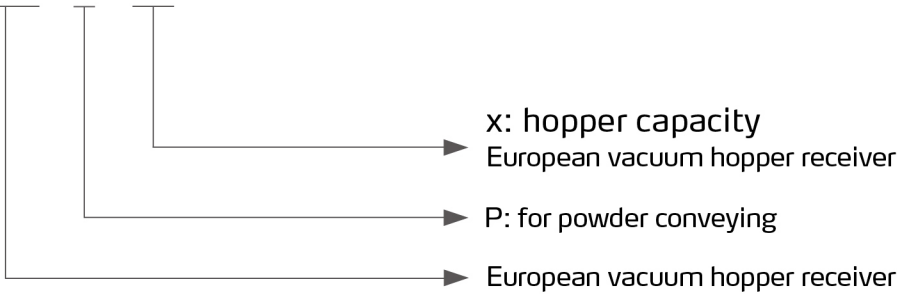


SHR-P-60U

SHR-P-U Series

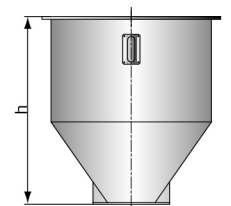
■ Coding Principle

SHR - P - xU

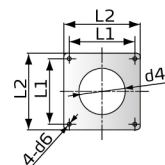


■ Features

- This series of products are mainly used for collocating with Hopper Loader SAL-UGP
- SHR-P-U consists of two categories, the cloth mesh filter and the plate filter. Cloth mesh filter is used to convey materials with powder content $\leq 30\%$, plate filter is used to convey materials with powder content $> 30\%$.
- Stainless steel hopper ensures no material contamination
- Equipped with vacuum separating valve is available to open/close the vacuum return loop.
- The auto-purging device to clean the filter after each suction, it ensures good ventilation for the filter.



Storage Collective Hopper(Optional)

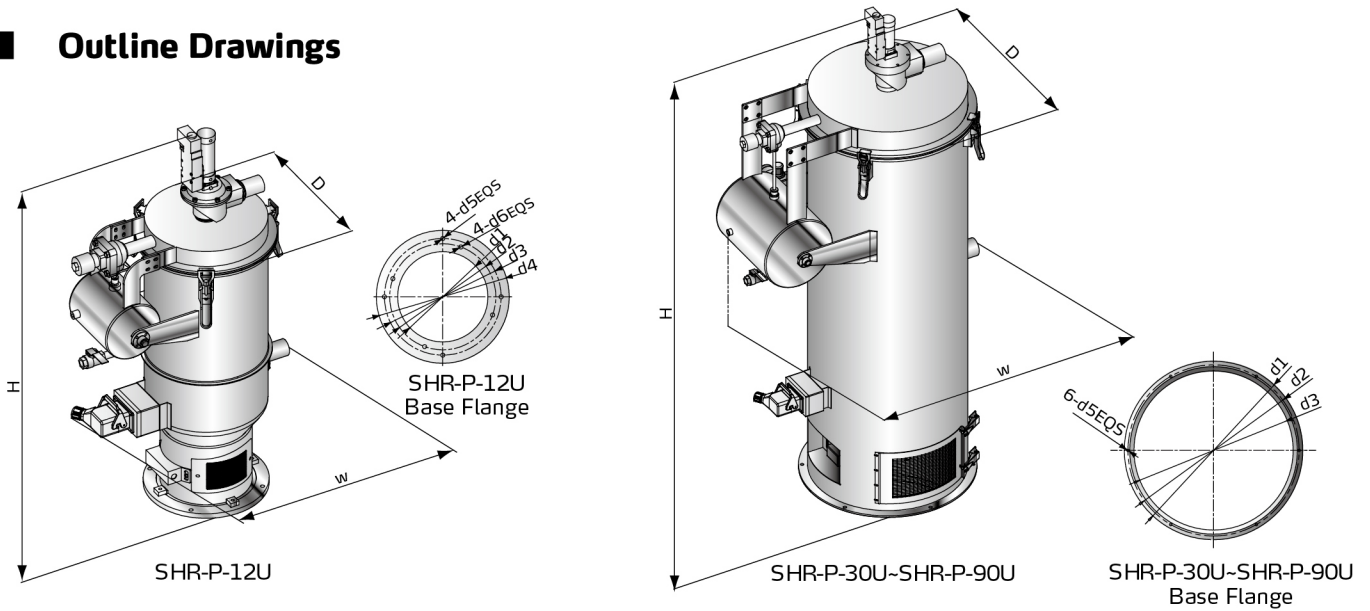


Base Flange

■ Accessory & Options

- Storage Collective Hopper can be opted by SHR-P-12U.

Outline Drawings



Specifications

Model	SHR-P-12U	SHR-P-30U	SHR-P-30U-1	SHR-P-30U-2	SHR-P-60U	SHR-P-60U-3	SHR-P-90U	SHR-P-90U-5
Hopper capacity (L)	12	30	30	30	60	60	90	90
H(mm)	940	1325	1325	1325	1500	1500	1640	1640
W(mm)	535	730	730	730	780	780	890	890
D(mm)	380	470	470	470	500	500	635	635
d3(mm)	φ197	φ430	φ430	φ430	φ490	φ490	φ600	φ600
d1(mm)	φ231	φ413	φ413	φ413	φ470	φ470	φ583	φ583
d2(mm)	φ254	φ377	φ377	φ377	φ437	φ437	φ547	φ547
d5(mm)	φ275	φ100	φ100	φ100	φ127	φ127	φ152.4	φ152.4
d4(mm)	φ9	φ7	φ7	φ7	φ7	φ7	φ7	φ7
d6(mm)	φ9	φ11	φ11	φ11	φ11	φ11	φ11	φ11
h(mm)	-	423	423	423	516	516	637	637
L1(mm)	-	180	180	180	180	180	180	180
L2(mm)	-	210	210	210	210	210	210	210
Weight(kg)	27	57	60	63	60	69	72	87
Conveying Pipe Dia. (inch)	1.5	1.5	1.5	1.5	2.0	2.0	2.5	2.5
Conveying Pipe Dia. (inch)	1.5	1.5	1.5	1.5	2.0	2.0	2.5	2.5



SHR-CP-U



SICH-6U



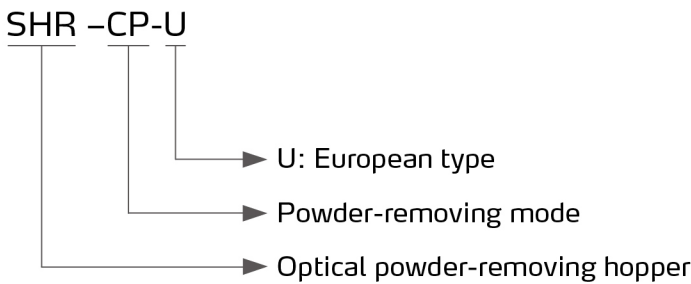
SICH-12U



SICH-24U

SHR-P-U/SCH(-U)/SICH-U Series

■ Coding Principle



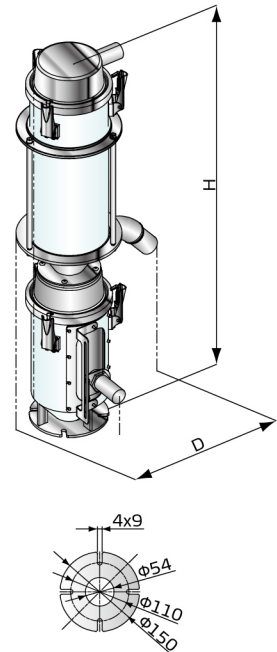
■ Features

- Mainly work with Compact Dryer SCD-OP
- It can remove the powder in the material to avoid stains generating in the molding process.
- Adopts stainless steel SUS304 to ensure no material contamination
- Standard equipped with adjustable level sensor

■ Specifications

Model	Hopper					Conveying Pipe Dia. (inch)	Air Suction Pipe Dia. (inch)
	Hopper capacity (L)	Dust-removing efficiency	Handling capacity (kg/hr)	Dimension (H×W×D) (mm)	Weight (kg)		
SHR-CP-3U	3	80%	10	820 × 280 × 305	8	1.5	1.5

■ Outline Drawings



Base Flange

SCH(-U)/SICH-U Series

■ Coding Principle

S(I)CH - xU

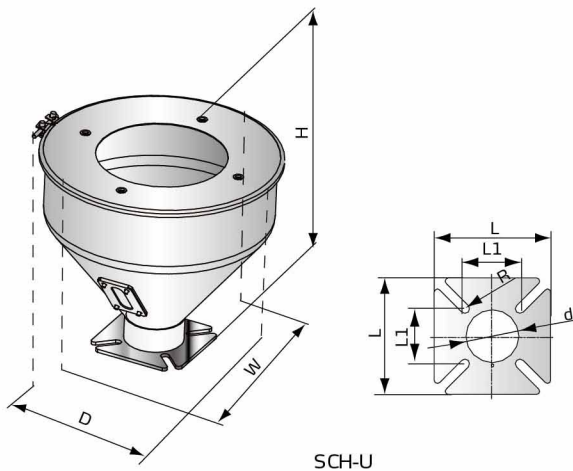
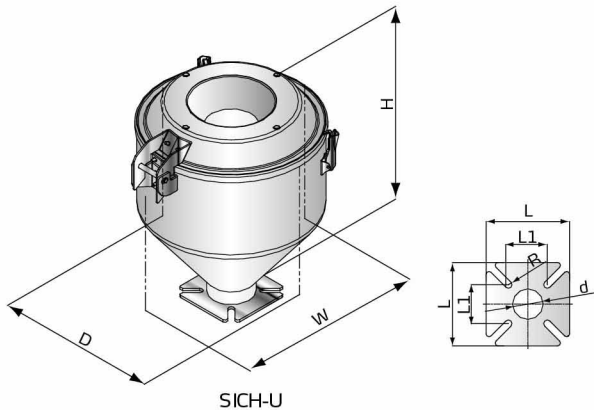
x: Hopper Capacity
U: European Type

SCH: Shini Storage Collective Hopper
SICH: Shini Heat-insulated Collective Hopper

■ Features

- SCH-U and SICH-U are mainly to work with the SHR-U vacuum hopper receiver and SHR-U-S U series central vacuum hopper receiver
- Heat-insulated collective hopper SICH-U ensures temperature decrease no more than 30°C within 30 minutes
- SCH-U and SICH-U are made of stainless steel, which ensure no material contamination

■ Outline Drawings



■ Specifications

SICH-U

Model	Hopper capacity (L)	Dimension (H×W×D) (mm)	Weight (kg)
SICH-6U	6	340 × 345 × 300	8
SICH-12U	12	425 × 405 × 350	11
SICH-24U	24	535 × 490 × 430	15

SICH-U Base Flange

Model	L(mm)	L1(mm)	d(mm)	R(mm)
SICH-6U	150	81	51.5	6.5
SICH-12U	150	81	55	6.5
SICH-24U	180	85	64.5	6.5

SCH-U

Model	Hopper capacity (L)	Dimension (H×W×D) (mm)	Weight (kg)
SCH-6U	6	257 × 300 × 317	4.5
SCH-12U	12	314 × 362 × 381	7
SCH-24U	24	329 × 404 × 423	9
SCH-36U	36	448 × 404 × 423	11

SCH-U Base Flange

Model	L(mm)	L1(mm)	d(mm)	R(mm)
SCH-6U	150	80	58.5	6.5
SCH-12U	150	80	58.5	6.5
SCH-24U	180	85	81.5	7
SCH-36U	180	85	81.5	7