



PET Crystallizer

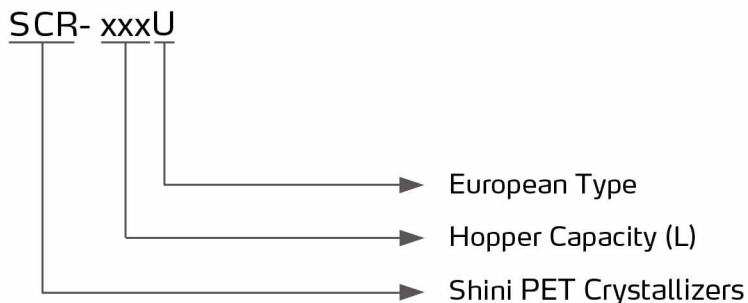
SCR-450U



Refer carefully to this manual before operation.

SCR Series

■ Coding Principle



Notes: *

CE=CE Conformity ML=Optional with safety ladder

■ Features

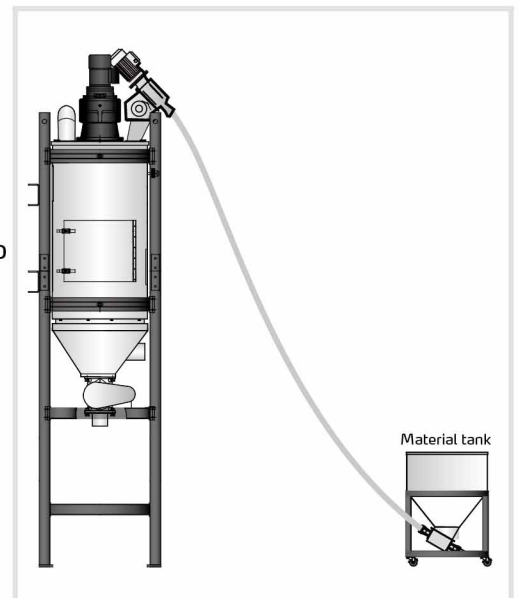
- Fixed speed of agitator makes materials not lump together during the crystallization.
- Simplify and improve drying efficiency.
- Materials can be dried under high temperature to improve drying efficiency.
- Cyclone dust collector is standard, which is applied to dust-rich place. Can effectively reduce the load on filter bag, and reduce the number of times of filter bag cleaning, thus extend the life span of the filter bag.
- With double overheat protector, it can reduce the possibility of either mechanical or man-made problems.
- Equipped with rotary valve with good sealing performance, which can output crystallized material accurately.
- Equipped with material level switch, which can detect material level accurately and make operation reliable.
- Equipped with negative pressure tester(excluding SCR-1600U) to immediately test the ventilation of the filter. Give an alarm when the negative pressure is higher than the setting value, clean the filter to avoid blockage.

■ Options

- Collocate with dehumidifier to fulfill dehumidification directly.
- Safety ladder is optional(only for SCR-900U and above models).
- Auto loader, Vacuum hopper receiver are optional for material conveying.
- The optional flexible screw feeder can be added for stable and even conveying of un-crystallized material such as PET flakes.
- External pipeline is optional with the stainless steel configuration.

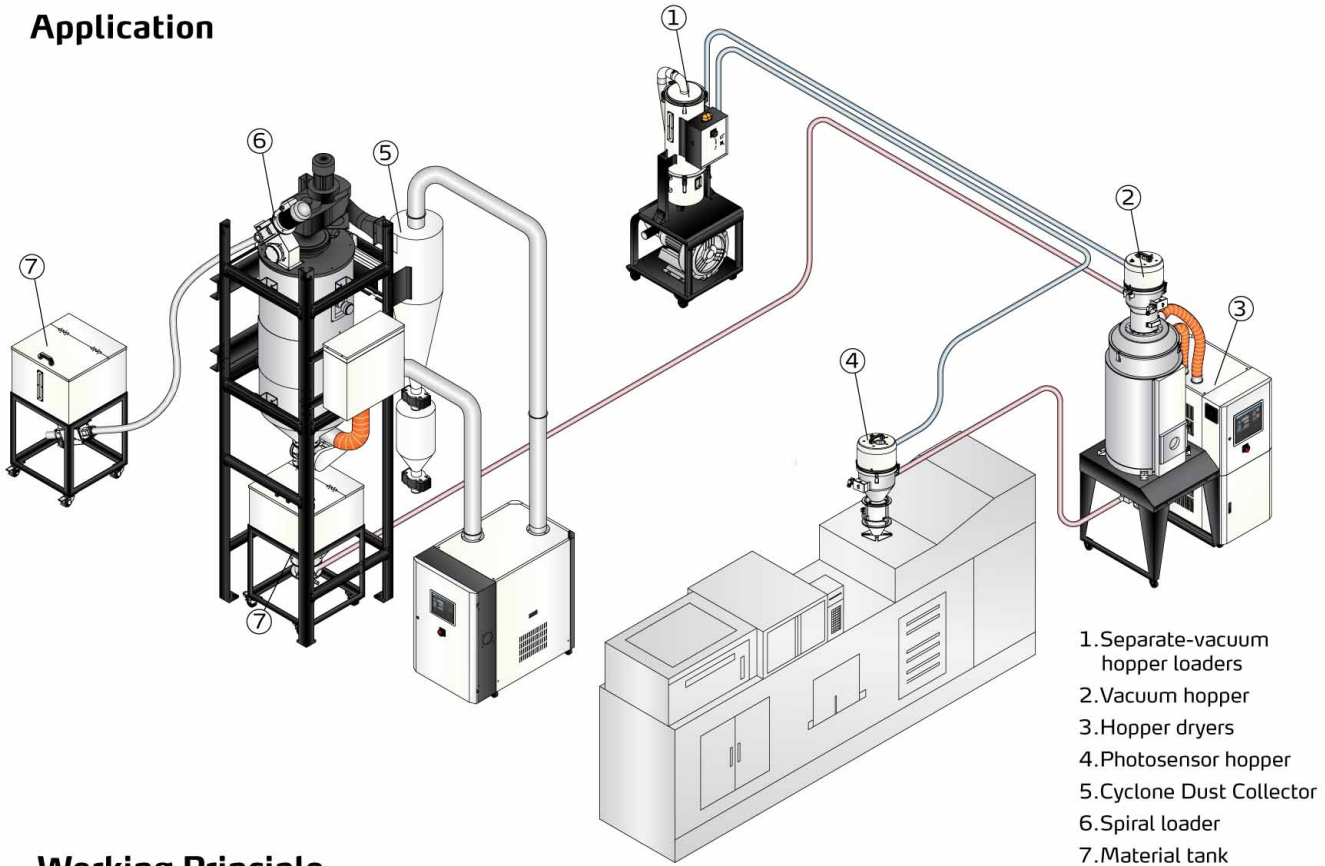


Inner Structure



Flexible Screw Feeder

Application

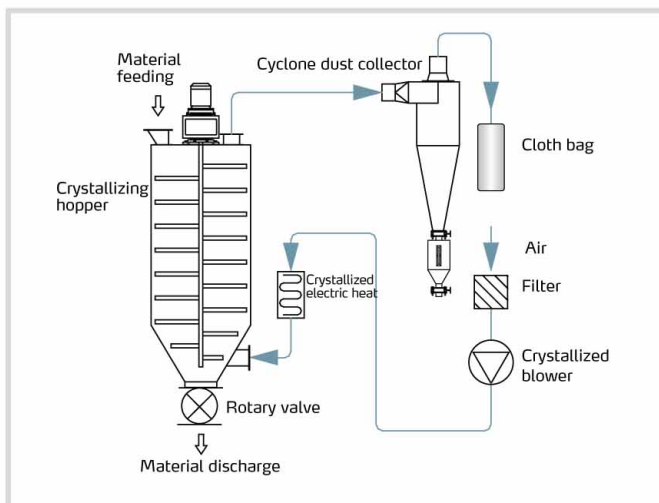


1. Separate-vacuum hopper loaders
2. Vacuum hopper
3. Hopper dryers
4. Photosensor hopper
5. Cyclone Dust Collector
6. Spiral loader
7. Material tank

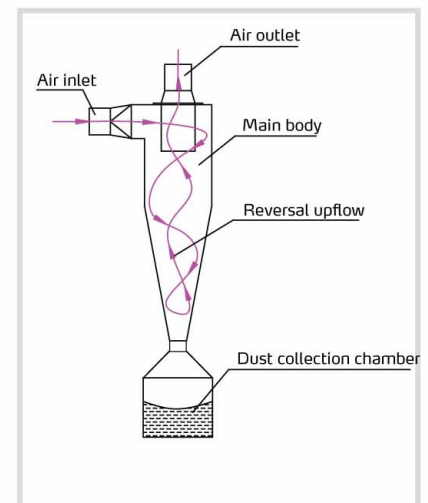
Working Principle

Once material filling starts, heat blower starts up and material heating begins. Control cabinet would stop sending signals to auto loader when material filling amount is higher than material level switch. Then material heating lasts for a while. When temperature sensing needle detects the value of reaching the set crystallized temperature, material would be conveyed out via feeding device; meanwhile, as material level in hopper lowers gradually, filling device starts to supply the uncrystallized material accordingly to realize the continuous crystallization process.

When temperature sensing needle detects the temperature value of stopping material conveying, feeding device halts. If temperature rises again to reach the set crystallized temperature, feeding device will be activated to work so that the continuous crystallization process can be realized through this kind of circle.



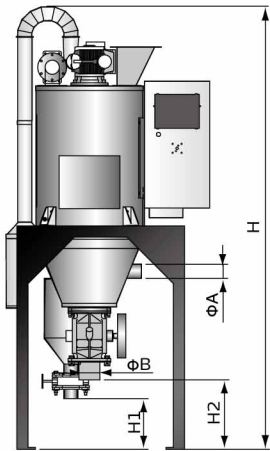
Working Principle



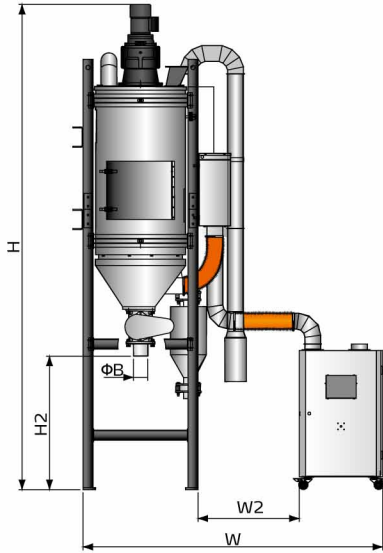
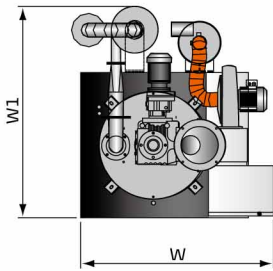
Working Principle of Cyclone Dust Collector

SCR Series

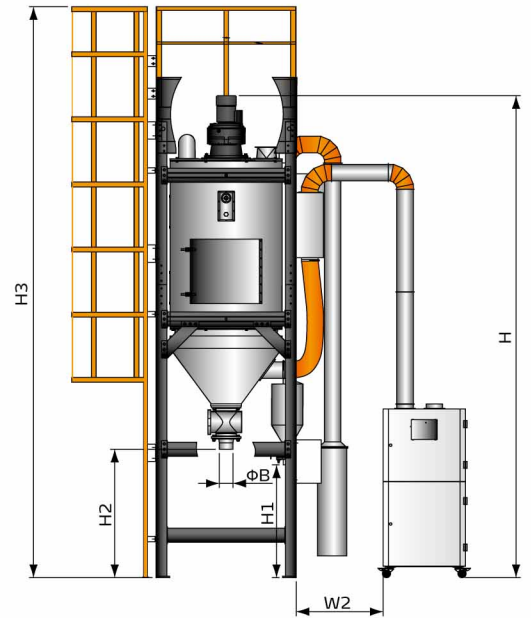
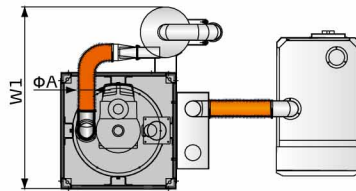
Outline Drawings



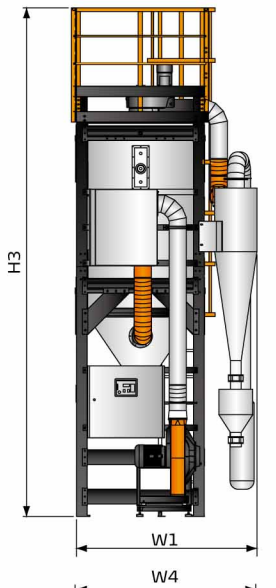
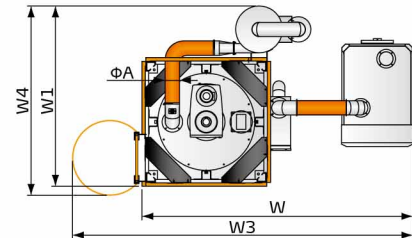
SCR-160U



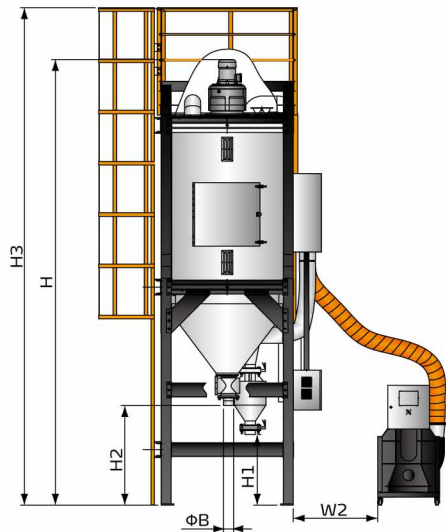
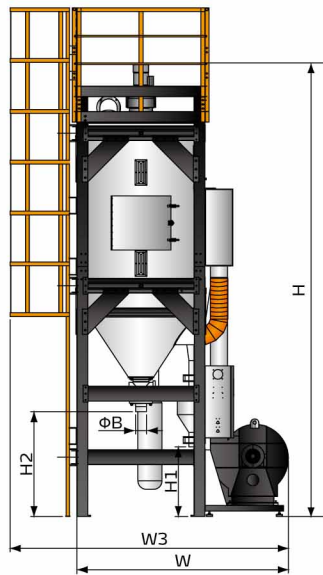
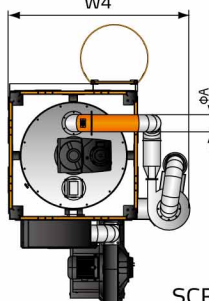
SCR-450U



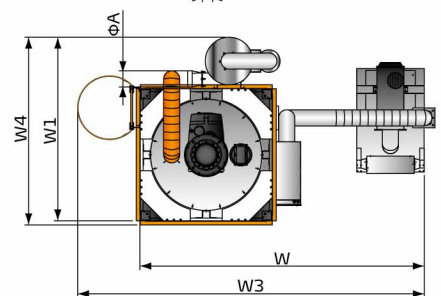
SCR-900U (Maintenance ladder is optional)



SCR-1600U (Maintenance ladder is optional)



SCR-2500U (Maintenance ladder is optional)





Specifications

Model		SCR-160U	SCR-450U	SCR-900U	SCR-1600U	SCR-2500U
Heater Power(kW)		12	24	48	96	128
Blower Power(kW, 50/60Hz)		0.55	2.2	3	7.5	15
Blending / Motor Power (kW, 50 / 60Hz)		0.25	0.55	1.5	2.2	4
Max. Throughput	kg/hr	50	150	300	500	750
	lb/hr	110	331	661	1102	1653
Hopper Capacity	L	160	450	900	1600	2500
	Gal	42.3	118.9	237.8	422.7	660.4
H	mm	2380	3850	4550	5350	5710
	inch	93.7	151.6	179.1	210.6	224.8
H1	mm	280	720	1040	820	890
	inch	11	28.3	40.9	32.2	35
H2	mm	380	1060	1185	1240	1270
	inch	15	41.7	46.7	48.8	50
H3	mm	-	-	5260	6010	6260
	inch	-	-	207	236.6	246.5
W	mm	1040	2370	2890	2510	3700
	inch	40.9	93.3	113.8	98.8	145.7
W1	mm	1140	1440	1930	2160	2310
	inch	44.9	56.7	76	85	90.9
W2	mm	-	800	800	-	800
	inch	-	31.5	31.5	-	31.5
W3	mm	-	-	3640	3295	4400
	inch	-	-	143.3	129.7	173.2
W4	mm	-	-	2020	2200	2360
	inch	-	-	79.5	86.6	92.9
ΦA	mm	3	5	6	8	8
	inch	0.12	0.2	0.24	0.31	0.31
ΦB	mm	4	4	5	5	5
	inch	0.16	0.16	0.2	0.2	0.2
Weight	kg	235	500	865	2290	2790
	lb	518	1102	1907	5049	6151

Notes: 1) Above maximum processing capacity is based on uncrystallized PET material of 0.85kg/L in density and 3-5mm in diameter.
2) Power: 3Φ, 230 / 400 / 460 / 575VAC, 50 / 60Hz.

We reserve the right to change specifications without prior notice.

PET Property

PET material is well-used in textile fiber, food and chemical packaging. Tape stripes, industry thread, heat-resistant dishware. Air bubble and chapping will take place due to its high moisture content.

With this drying demand and the development on plastic industry, Shini provides a series of secured and reliable drying and dehumidifying technologies for PET molding and other PET product manufacturers.

Shini's PET system has great technology to meet various application needs.

- Bottle and blank making
- Thermal forming film and sheet making
- Strapping tape and industrial yarns making
- Tubing making
- Waste recovery making

Shini Group

Addr: No. 23, Minhe St., Shulin Dist.,
New Taipei, Taiwan

Tel: +886 2 2680 9119

Fax: +886 2 2680 9229

Email: shini@shini.com

Factories:

- Taiwan
- Dongguan
- Pinghu
- Ningbo
- Chongqing
- Pune

2021-11-15-04 Copyrights Reserved.

www.shini.com