

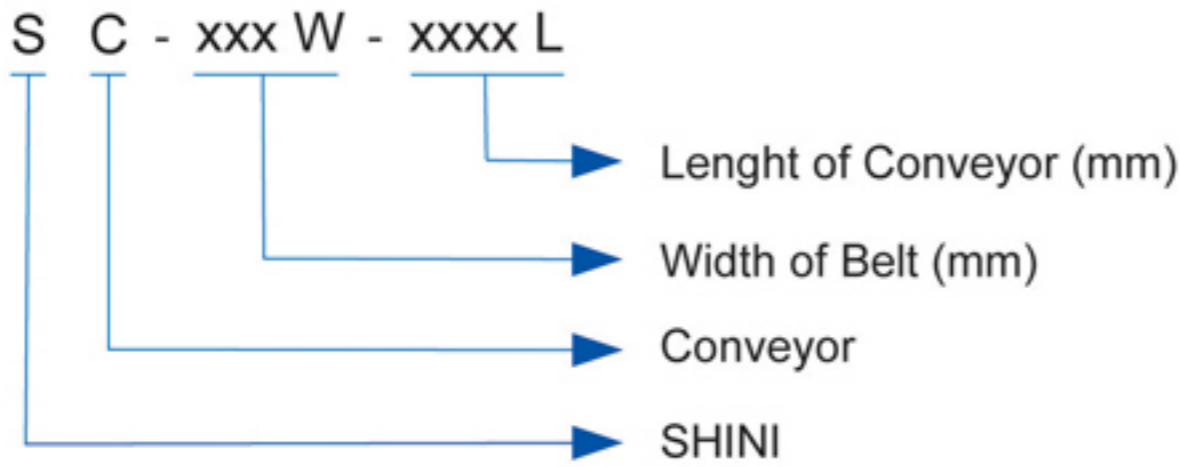


# Declined Belt Conveyor



SC-300W-2000L

## ■ Coding Principle



SC-300W-2000L Backside

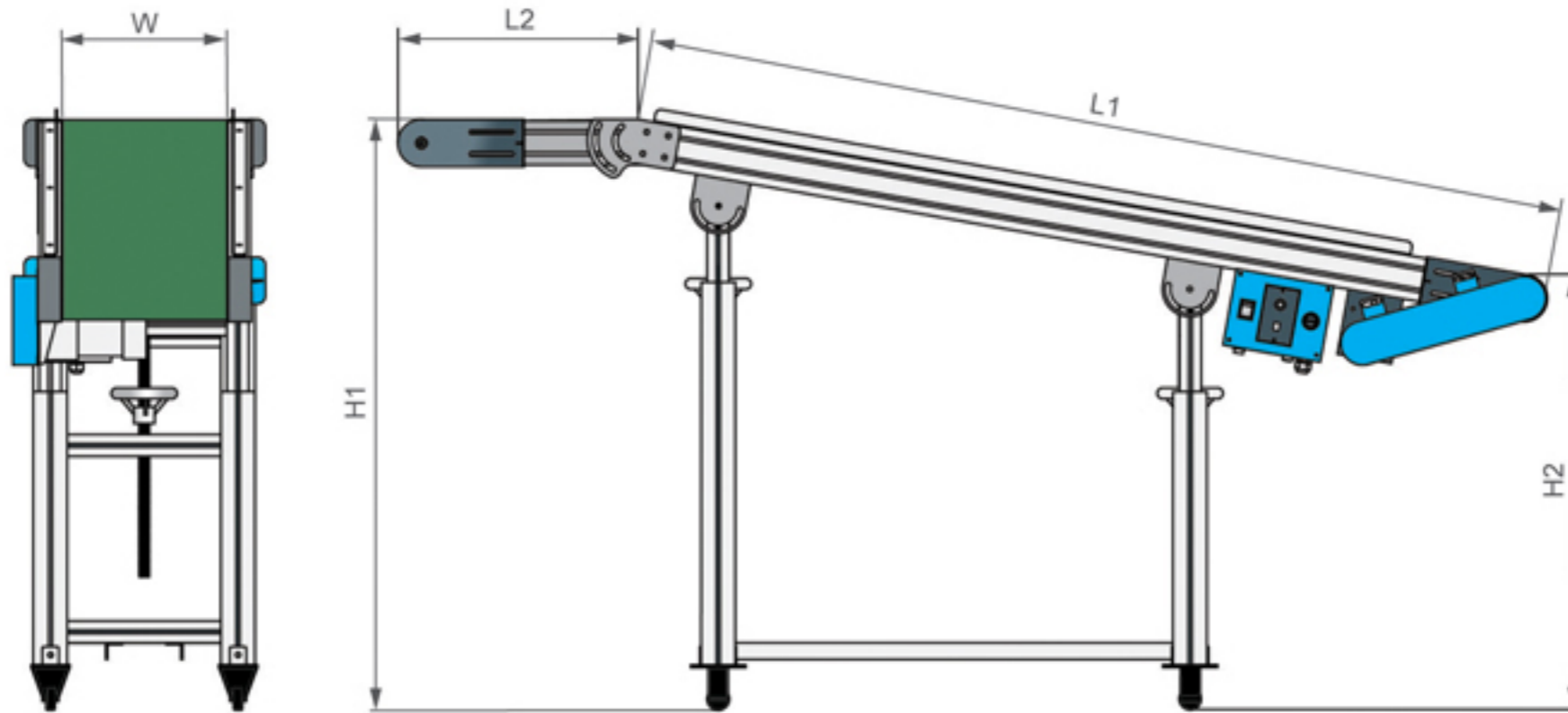
## ■ Features

- Introducing high strength aluminum alloy manufacturing, anodization of sand blast, elegant appearance.
- The workbench is made of high quality rubber materials which protects the external appearance of products.
- The height of two ends can be easily adjusted by using hand wheels.
- The bottom adopts universal casters with brake castors, which makes it fix and move easily.
- The knob speeder can adjust freely, operate easily, convenient to use.
- With automatic and manual switching function, it can not only move with robots, but also work independently.

## ■ Application

SC Series declined belt conveyor is mainly used for the delivery of products, it can effectively enhance the working efficiency and protect the product appearance. It also can be connected with outside signal, and realise automation with adoption of robots.

## Outline Drawings



## Specifications

Model	SC – 200W	SC – 300W	SC – 400W	SC – 500W	SC – 600W
Width of Belt W (mm)	200	300	400	500	600
Length of Horizontal Plane L2 (mm)	400 / 600 / 800				
Total Length L1+L2 (mm)	2000 / 3000 / 4000 / 6000				
Height of Higher End H1 (mm)	1000 ~ 1600				
Height of Lower End H2 (mm)	700 ~ 1000				
Max Load (kg)	20 (Uniform)				
Max Speed (m/min)	12				
Belt Description	Material: PVC / Thickness: 2mm / Color: Green Rating of Temperature: -10°C~+80°C / Static-free, ard Wearing, Oil proof				
Power Source	AC220V ± 10V 50/60Hz				
Motor Rated Power (W)	60				

We reserve the right to change specifications without prior notice.





## **SHINI PLASTICS TECHNOLOGIES, INC.**

### Headquarters:

Shini Plastics Technologies, Inc.  
No. 23 Minhe St., Shulin City, Taipei, Taiwan  
tel: +886 2 2680 9119  
fax: +886 2 2680 9229  
email: [shini@shini.com](mailto:shini@shini.com)

### Factories:

- Taipei / Taiwan
- Dongguan / China
- Ningbo / China
- Pinghu / China
- Mumbai / India