

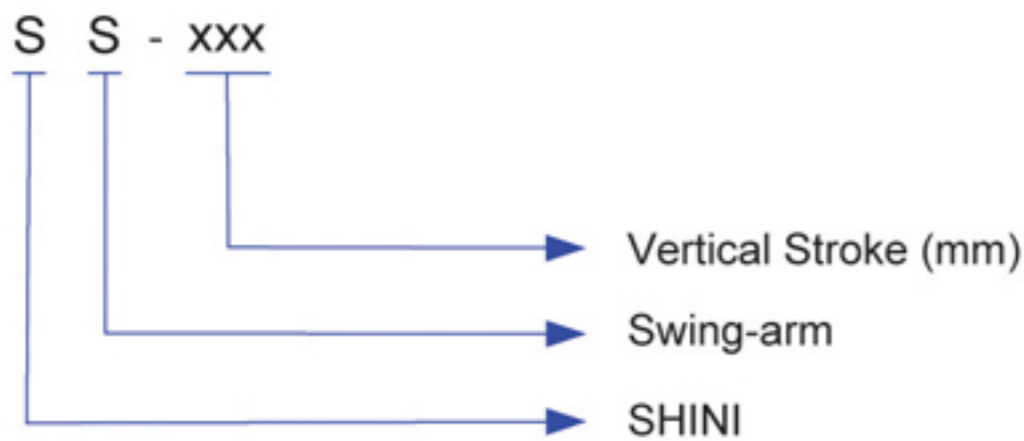


Swing-arm Robot



SS-550

■ Coding Principle



SS-700

■ Features

● Arm Mechanism

The arm mechanism is integrated with branded pneumatic cylinder, efficient shock absorber, drop proof locking mechanism, compact and adjustable gripper, self clean plastic bearing, 90° wrist rotation mechanism and gripper sensor.

● Swing Mechanism

Employs rack and pinion system which converts linear motion to rotation with least damage to the cylinders. The shock absorber and angle tuning system provides a smooth and precise swing motion.

● Kick Stroke Mechanism

Employs heavy duty linear rail and ball bearing, pneumatic cylinder with adjustable speed and displacement and shock absorber.

● Base Mechanism

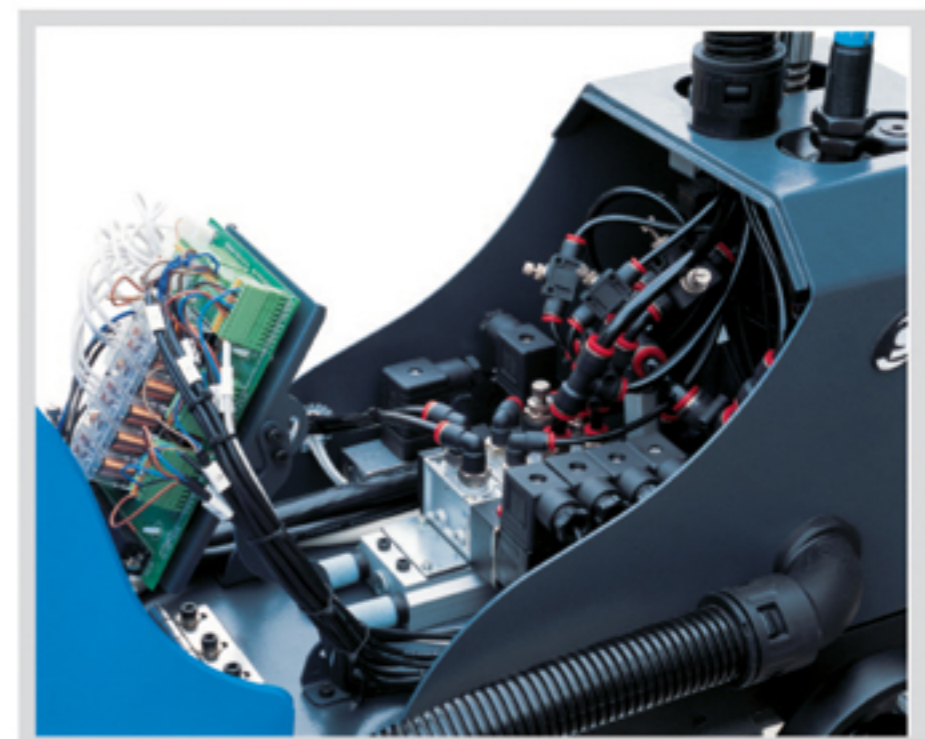
Fast mold changing design provides simple method for changing molds. The base is rotatable for 90° degree by releasing the handle.



Gripper



Close Look



Easy for Maintenance

- Pneumatic Circuit

Branded pneumatic accessories provide extensive use life. Removable electric circuit stands allows easy maintenance.

- Control System

Dialogic hand controller provides English, Japanese, Traditional Chinese and Simplified Chinese. Other languages are applicable; up to 8 different languages can be stored. There are 8 standard programs and memory for up to 80 customized programs with self fault detection. Swing directions are adjustable simply by flipping the switch on the control board. Position limit sensors are applied to all moving directions in order to provide safety mechanically and electrically. Extra 4 sets of I/O pins are available for other applications. Designed to EUROMAP 12, EURO-MAP 67 and SPI to provide plug and use.



Control Panel

■ Application

The SS Series robot is designed for rapid and precise removal of sprue and runner from injection molding machine, and place them into granulator for recycling. Simple product removal is applicable with optional vacuum generator and EOAT. Suitable for injection molding machine under 250T clamp force.

■ Options

Middle Mold Detector.

Suction Circuit. (Vacuum generator, magnetic valve and standard suction tool.)

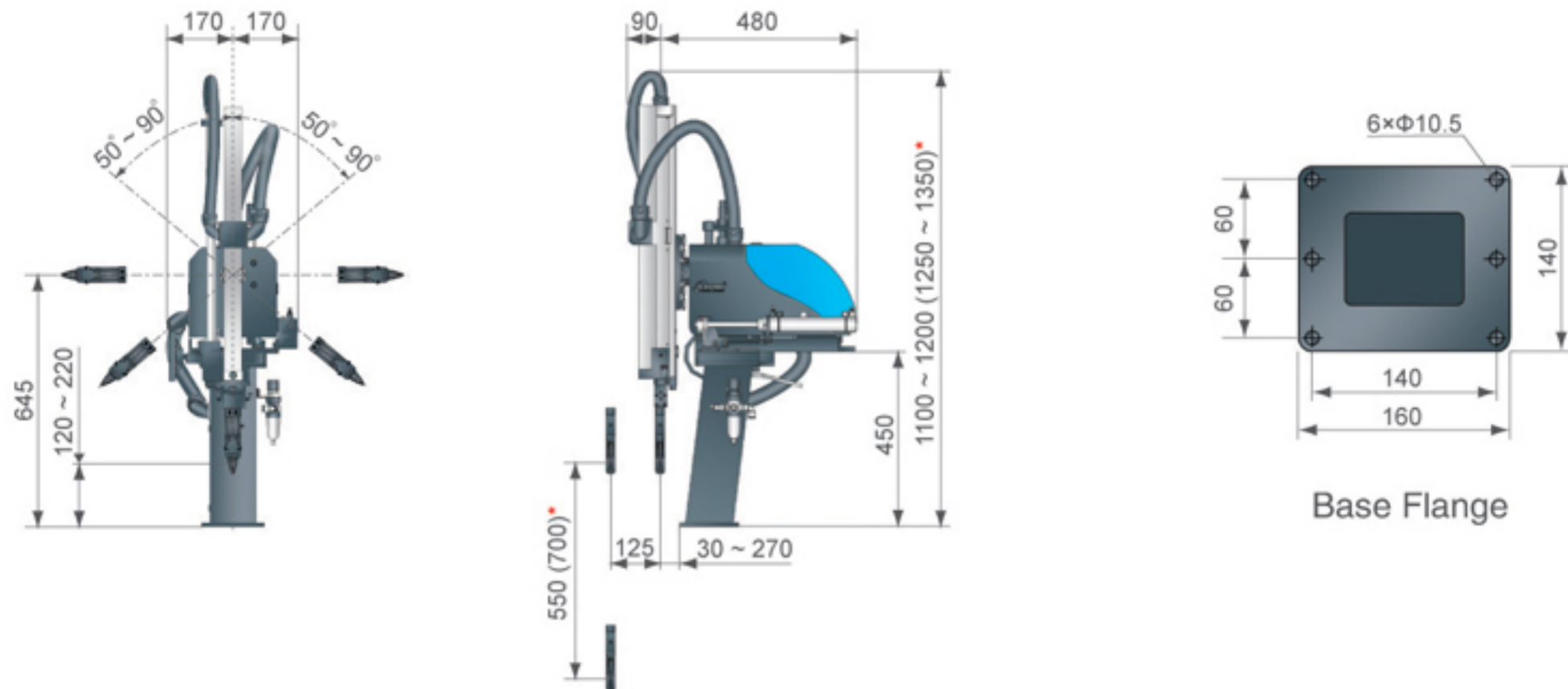


Middle Mold Detector



Suction Circuit

Outline Drawings



Note: " * " Stands for size, only refer to SS-700.

Specifications

Model	SS-550	SS-700
IMM (ton)	50 ~ 150	100 ~ 250
Crosswise Stroke (mm)	0 ~ 125	0 ~ 125
Vertical Stroke (mm)	0 ~ 550	0 ~ 700
Swing Angle (deg)	50 ~ 90	50 ~ 90
Wrist Angle (deg)	90	90
Max Load (kg)	0.5	0.5
Power Rating (W)	30	30
Rated Current (A)	0.5	0.5
Min Pick-out Time (sec)	0.8	0.9
Min Cycle Time (sec)	3.0	3.2
Air Pressure (bar)	4 ~ 6	4 ~ 6
Max Air Consumption (NI/cycle) *	9	10
Machine Weight (kg)	62	64
Dimensions (W x D x H) (mm)	340 x 570 x 1100	340 x 570 x 1250

Note: 1. "S" stands for suction circuit.

"M" stands for middle mold detector. (Suitable for three-plate mold.)

"EM12" stands for EUROMAP 12 communication interface.

"EM67" stands for EUROMAP 67 communication interface.

2. Power supply requirement: 1Φ, 100~240V, 50/60Hz.

3. " * " Max Air consumption for Suction Device 30NI/min.

We reserve the right to change specifications without prior notice.



SHINI PLASTICS TECHNOLOGIES, INC.

Headquarters:

Shini Plastics Technologies, Inc.
No. 23 Minhe St., Shulin City, Taipei, Taiwan
tel: +886 2 2680 9119
fax: +886 2 2680 9229
email: shini@shini.com

Factories:

- Taipei / Taiwan
- Dongguan / China
- Ningbo / China
- Pinghu / China
- Mumbai / India