



Cabinet Dryers



CD-9

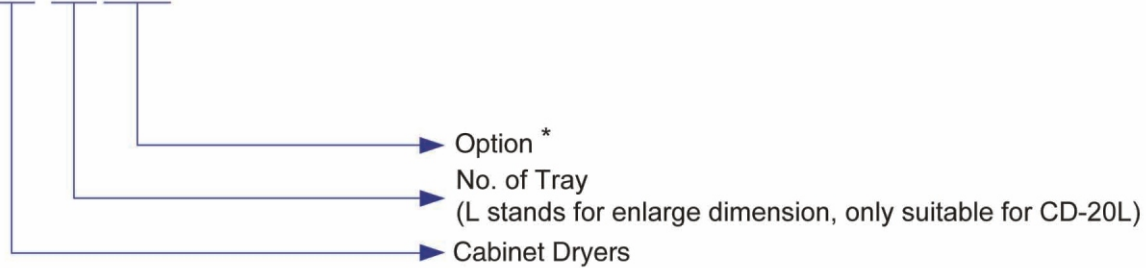


Refer carefully to the Manual before using products.



■ Coding Principle

CD- x x - x x



Note: *

CE=CE Conformity

■ Features

Standard configuration

- Accurate P.I.D. temperature control to achieve an even drying effect.
- Air-proofed insulative door can maintain temperature constantly inside to reduce energy consumption.
- Stainless steel tray and liner bring no contamination to materials.
- Unique design of adjustable air inlet and exhaust.
- 24 hours timer, easy to operate.
- Overheat protector can prevent excessive drying.
- Motor overload relay.
- Visible alarm to indicate troubles immediately
- Power would be automatically cut off when drying temperature exceeds set deviation value to protect thermal fuse.

Accessory option

- Air exhausting device should be opted for when handling with the volatile material.
- Flanges of air inlet and outlet are optional.
- The whole unit and tray can be customized based on demands.



Temperature Controller



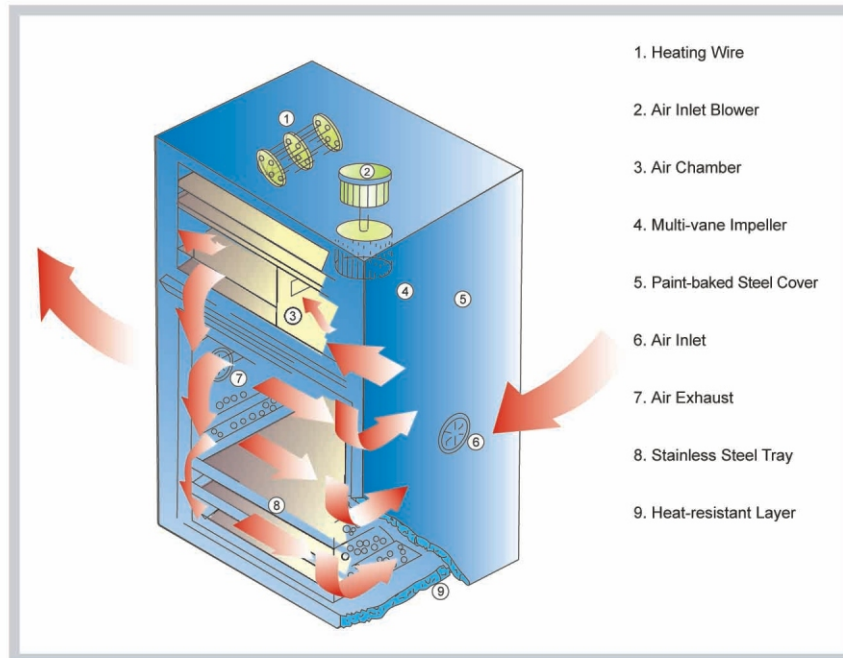
CD-20-HT

■ Application

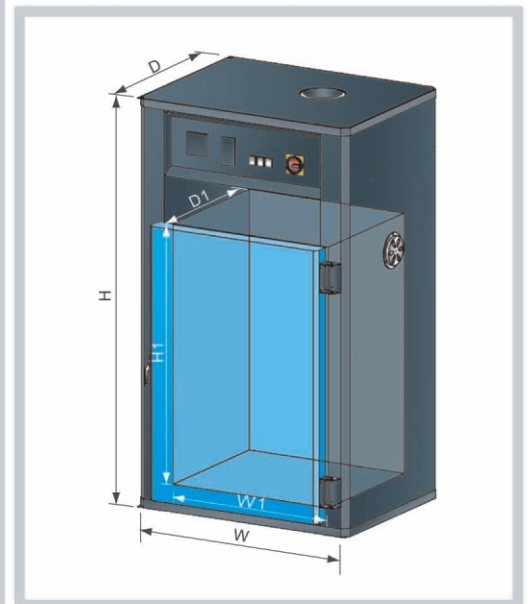
CD series of cabinet dryers are mostly used for simultaneous drying of different kinds of polymers in small quantities or for drying materials for trial moulding. They can also be applied in electronic engineering, electroplating, pharmacy, paint baking, printing industries, etc. for preheating or drying related products.

Working Principle

For cabinet dryers, materials to be dried are placed on the stainless steel made moveable material trays. During operation, process air will flow to heating wire and be heated up to required temperature, then flow through a manifold with evenly scattered holes. Moisture air is sent out through air exhaust port. It is designed to achieve an even drying effect.



Outline Drawings



Specifications

Model	Pipe Heater (kW)	Blower Power (kW, 50Hz/60Hz)	Temperature Range(°C)	Number of Trays	Total Tray Capacity (kg)	Outer Dimensions H X W X D (mm)	Inner Dimensions H1 X W1 X D1 (mm)	Weight (kg)
CD-5	4	0.37 / 0.42	200	5	50	1200 x 800 x 610	660 x 600 x 550	150
CD-9	4.5	0.37 / 0.42	200	9	90	1440 x 800 x 610	900 x 600 x 550	180
CD-20	9	1.5 / 1.8	200	20	200	1700 x 1210 x 860	1000 x 990 x 800	415
CD-20L	18	1.5 / 1.8	200	20	450	1865 x 1800 x 1060	1200 x 1600 x 1000	550
CD-5-HT	4	0.37 / 0.42	250	5	50	1380 x 860 x 731	660 x 600 x 550	200
CD-9-HT	4.5	0.37 / 0.42	250	9	90	1640 x 920 x 731	900 x 600 x 550	252
CD-20-HT	9	1.5 / 1.8	250	20	200	1887 x 1310 x 1032	1000 x 990 x 800	587
CD-20L-HT	18	1.5 / 1.8	250	20	450	2052 x 1900 x 1232	1200 x 1600 x 1000	778

Note: 1) "HT" stands for heat insulation model, the surface temperature of which will not be more than 80°C when setup temperature is 250°C.

2) When drying temperature is below 150°C, "HT" models can keep internal temperature accuracy of ±5°C, when it is above 150°C, internal temperature accuracy is ±12 °C.

3) Above loading capacity is based on pellet material of 0.65kg/L in bulk density and 3-5mm in diameter.

4) Power: 3Φ, 230/400/460/575VAC, 50/60Hz.

We reserve the right to change specifications without prior notice.